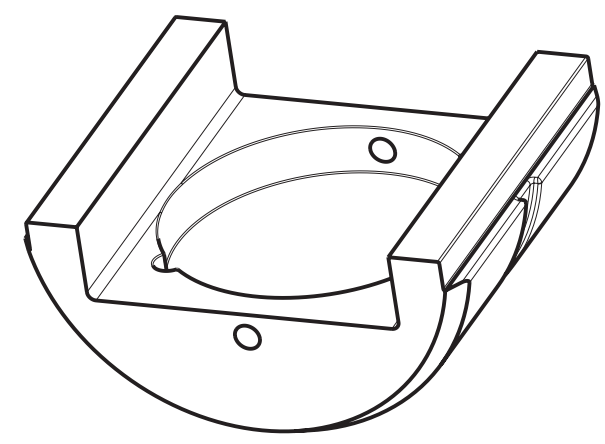
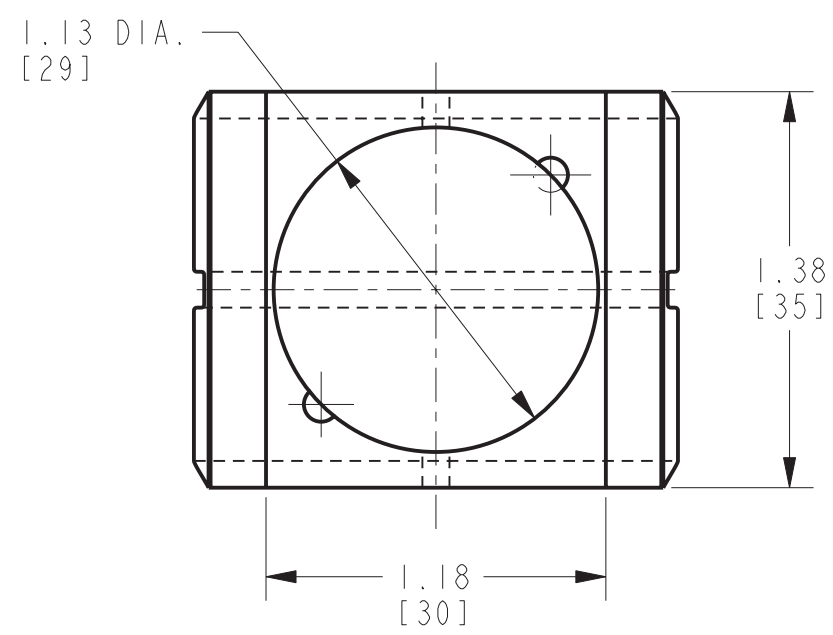
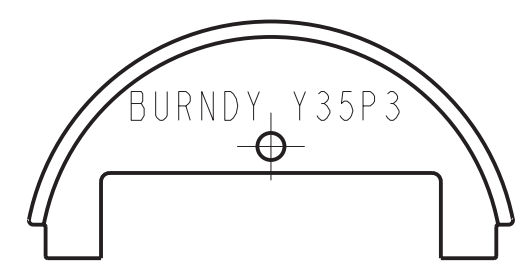
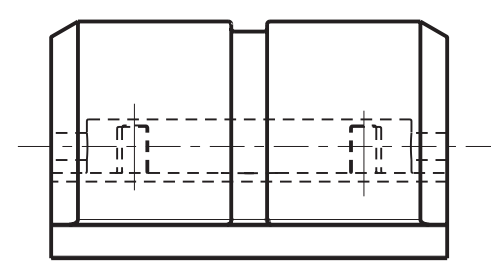
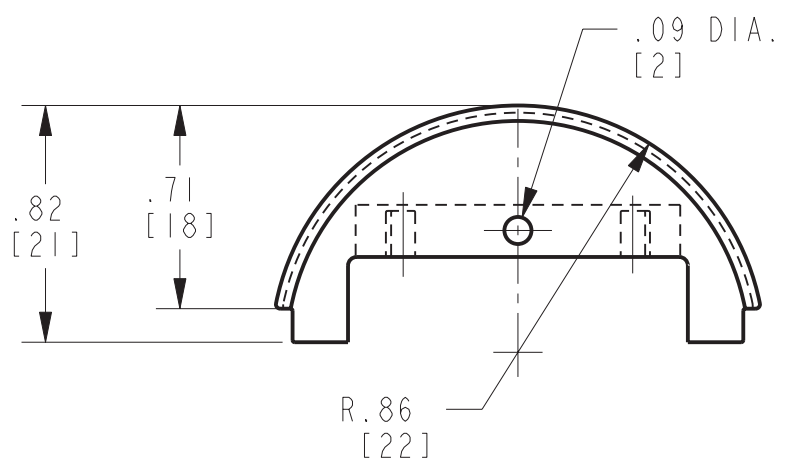


REV.	DATE	DESCRIPTION	ECO	BY	C'H'K.
A	5/12/2009 12:00:00 AM	NEW DRW RELEASE	18052	MR	IA



NOTES:

1. DIMENSIONS IN BRACKETS [] ARE IN MILLIMETERS ROUNDED OFF TO THE NEAREST MILLIMETER, UNLESS OTHERWISE NOTED, AND ARE FOR REFERENCE ONLY.
2. MATERIAL: STEEL
3. FOR USE WITH "Y34PR" TYPE INDENTORS, IN Y35, Y39 AND Y750 HYTOOLS.

REV: PE0200

TO ORDER BURNDY® PRODUCTS CALL		BUTTING DIE - INDENTOR ADAPTOR	
UNITED STATES:		ITEM NO: 421999	
1-800-346-4175 (LONDONDERRY, NH)		CAT. NO: Y35P3	
CANADA:		DRAWN BY: M RAJASEKAR 05/12/09	
1-800-361-6975 (QUEBEC)		CHECKER: --	
1-800-387-6487 (ALL OTHER PROVINCES)		DSN APPVL: --	
FOR PRODUCT INFO: http://www.burndy.com		MFG APPVL: --	
		QA APPVL: --	
		MKT APPVL: --	
		SCALE: 3:2	
		PROJ FAM: INSTALLATION TOOLS	
		DRAWING NO	
		10101145	
		REV	
		A	
		SHEET 1 OF 1	