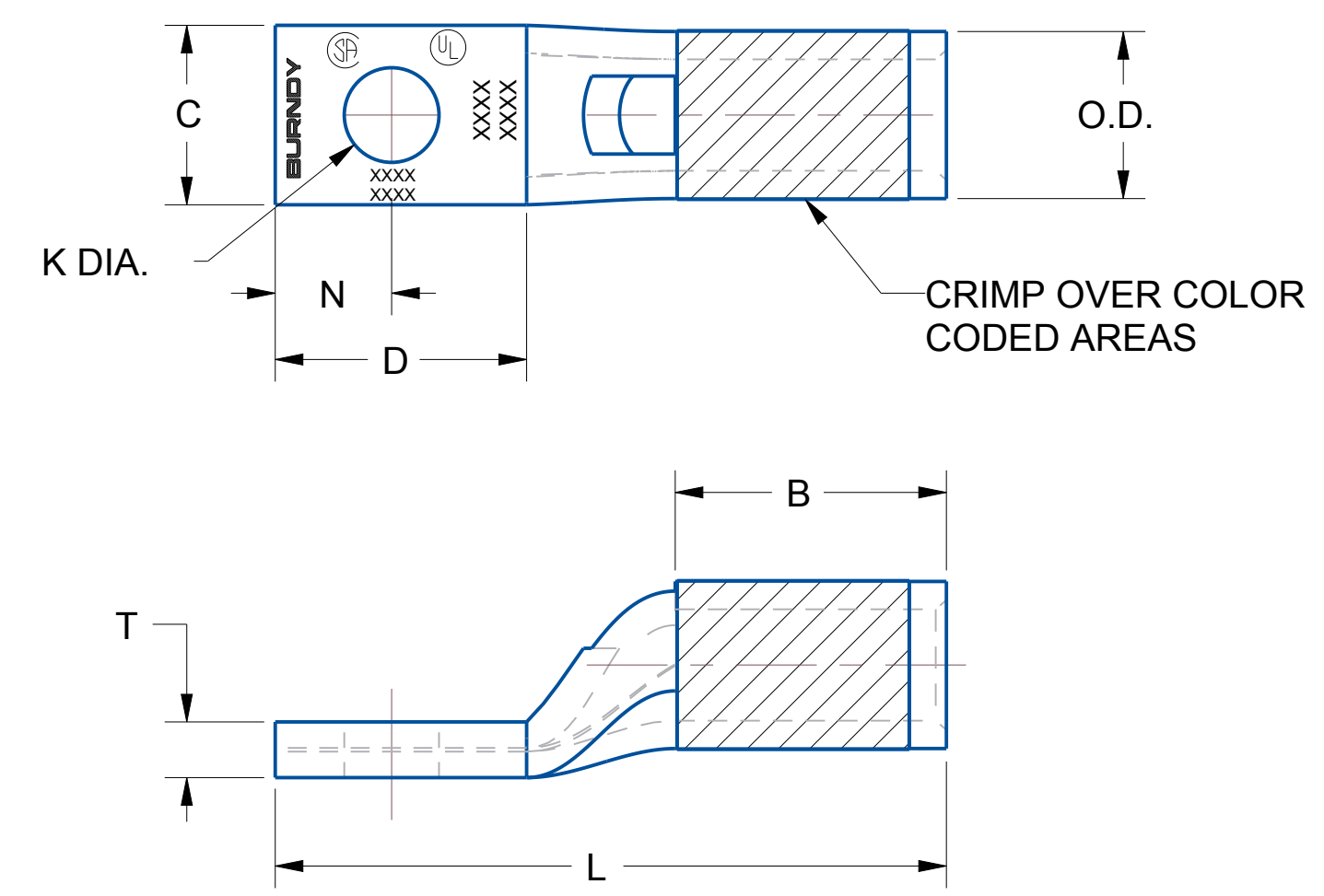


DRAWING NO. 30003952	7	6	5	4	3	2	1	CATALOG NUMBER	FIG. NO.	CONDUCTOR		STUD HOLE SIZE	DIMENSIONS						DIELESS (# OF CRIMPS)	INSTALLATION TOOLING										WIRE STRIP LENGTH		
										AWG	MM <sup>2</sup>		O.D.	B	C	D MIN.	K DIA.	L		N	T	MECHANICAL		HYDRAULIC								
																						MD6, OUR840, MD7-34R	BCT500HS, Y500CTHS	Y35, Y39, Y750, PAT750	Y46 PAT46	Y45	Y48	Y60	COLOR CODE		DIE INDEX	
YA8CLNT6	1	#8 AWG	10	6	.27 [7]	.44 [11]	.29 [7]	.41 [10]	.15 [4]	1.08 [27]	.19 [5]	.09 [2]	Y8MRB-1 (1) MY29-3 (1) MY29-11 (1) MRC840 (1) Y81KFT (1) Y81KFTMBH (1) PAT81KFT-18V (1)	W8CVT (1)	X8CRT (1)	U8CRT (1)	U8CRT (1)	U8CRT (1)	--	--	RED	49	1/2"									
YA8CLNT8	1			8	.27 [7]	.44 [11]	.33 [8]	.47 [12]	.18 [5]	1.18 [30]	.22 [6]	.09 [2]																				
YA8CLNT10	1			8	.27 [7]	.44 [11]	.33 [8]	.52 [13]	.20 [5]	1.18 [30]	.22 [6]	.09 [2]																				
YA6CLNT6	1	#6 AWG	--	6	.29 [7]	.54 [14]	.29 [7]	.41 [10]	.15 [4]	1.17 [30]	.19 [5]	.09 [2]	Y1MRTC (1)	W5CVT (1)	X5CRT (1)	U5CRT (1)	U5CRT (1)	U5CRT (1)	--	--	BLUE	7	7/8"									
YA4CLNT10	1	#4 AWG	--	#10	.34 [9]	.81 [21]	.40 [10]	.64 [16]	.20 [5]	1.73 [44]	.31 [8]	.09 [2]	MY29-3 (1)	W4CVT (1)	X4CRT (1)	U4CRT (1)	U4CRT (1)	U4CRT (1)	--	--	GRAY	8	7/8"									
YA3CLNT14	1	#3 AWG #2SOL.	25	1/4"	.38 [10]	.88 [22]	.41 [10]	.70 [18]	.27 [7]	1.82 [46]	.31 [8]	.09 [2]	MY29-11 (1) MRC840 Y644HS (1) Y81KFT(1) Y81KFTMBH (1) PAT81KFT-18V (1)	--	--	U3CRT (1)	U3CRT (1)	U3CRT (1)	--	--	WHITE	9	15/16"									
YA3CLNT516	1			5/16"	.38 [10]	.88 [22]	.49 [12]	.62 [16]	.33 [8]	1.80 [46]	.25 [6]	.09 [2]																				
YA2CLNT10	1	#2 AWG	35	#10	.42 [11]	.88 [22]	.48 [12]	.56 [14]	.20 [5]	1.80 [46]	.25 [6]	.11 [3]	Y81KFTMBH (1) PAT81KFT-18V (1)	W2CVT (1)	X2CRT (1)	U2CRT (1)	U2CRT (1)	U2CRT (1)	--	--	BROWN	10	15/16"									
YA2CLNT14	1			1/4"	.42 [11]	.88 [22]	.50 [13]	.56 [14]	.27 [7]	1.80 [46]	.25 [6]	.11 [3]																				
YA2CLNT516	1	5/16"	.42 [11]	.88 [22]	.49 [12]	.62 [16]	.33 [8]	1.82 [46]	.25 [6]	.11 [3]																						
YA1CLNT10	1	#1 AWG	50	#10	.46 [12]	.88 [22]	.50 [13]	.94 [24]	.20 [5]	2.23 [57]	.25 [6]	.10 [3]	MY29-3(1) MY29-11 (1) MRC840 Y644HS (1) Y81KFT(1) Y81KFTMBH (1) PAT81KFT-18V (1)	W1CVT (1)	X1CRT-1 (1)	U1CRT-1 (1)	U1CRT-1 (1)	U1CRT-1 (1)	--	--	GREEN	11	15/16"									
YA1CLNT14	1			1/4"	.46 [12]	.88 [22]	.50 [13]	.94 [24]	.27 [7]	2.23 [57]	.25 [6]	.10 [3]																				
YA25LNT10	1	1/0 AWG	--	#10	.51 [13]	.88 [22]	.62 [16]	.94 [24]	.20 [5]	2.28 [58]	.33 [8]	.12 [3]	MY29-3(1) MY29-11 (1) MRC840 Y644HS (1) Y81KFT(1) Y81KFTMBH (1) PAT81KFT-18V (1)	W25CVT (2)	X25RT (2)	U25RT (1)	U25RT (1)	U25RT (1)	--	--	PINK	12	15/16"									
YA25LNT14	1			1/4"	.51 [13]	.88 [22]	.48 [12]	.67 [17]	.27 [7]	1.93 [49]	.31 [8]	.12 [3]																				
YA25LNT516	1			5/16"	.51 [13]	.88 [22]	.62 [16]	.94 [24]	.33 [8]	2.28 [58]	.33 [8]	.12 [3]																				
YA25LNT38	1	3/8"	.51 [13]	.88 [22]	.62 [16]	.85 [22]	.41 [10]	2.18 [55]	.41 [10]	.12 [3]																						
YA26LNT10	1	2/0 AWG	70	#10	.56 [14]	.94 [24]	.62 [16]	1.14 [29]	.20 [5]	2.62 [67]	.33 [8]	.13 [3]	MY29-3(1) MY29-11 (1) MRC840 Y644HS (1) Y81KFT(1) Y81KFTMBH (1) PAT81KFT-18V (1)	W26CVT (2)	X26RT (2)	U26RT (1)	U26RT (1)	U26RT (1)	--	--	BLACK	13	1"									
YA26LNT14	1			1/4"	.56 [14]	.94 [24]	.48 [12]	.59 [15]	.27 [7]	2.02 [51]	.25 [6]	.13 [3]																				
YA26LNT516	1			5/16"	.56 [14]	.94 [24]	.62 [16]	1.14 [29]	.33 [8]	2.62 [67]	.33 [8]	.13 [3]																				
YA26LNT38	1			3/8"	.56 [14]	.94 [24]	.72 [18]	1.00 [25]	.41 [10]	2.48 [63]	.38 [10]	.12 [3]																				

TOLERANCE BLOCK							
CONNECTOR SIZE	TOLERANCES						
	B	C	E	K DIA.	L	N	O.D.
-8C THRU -25	± .06	± .04	± .02	± .02	± .09	± .03	± .01
-26 THRU -34	± .08	± .04	± .02	± .02	± .12	± .03	± .01
-35 AND UP	± .09	± .06	± .02	± .02	± .15	± .06	± .01



- NOTES:
- MATERIAL: COPPER TUBING.
  - FINISH: TIN PLATED.
  - CAT NO. PUADP-1 ADAPTOR IS REQUIRED TO USE "U" DIES IN Y46 SERIES TOOLS.
  - DIMENSIONS IN BRACKETS [ ] ARE IN MILLIMETERS ROUNDED OFF TO THE NEAREST MILLIMETER, UNLESS OTHERWISE NOTED, AND ARE FOR REFERENCE ONLY.
  - CAT. NO. PT6515 ADAPTER IS REQUIRED TO USE "U" TYPE DIES IN Y45 TOOLS.

TO ORDER BURNDY® PRODUCTS CALL		HYLUG™ COPPER (NARROW TONGUE)							
UNITED STATES 1-800-346-4175 (LONDONDERRY, NH)		ITEM NO: N/A	CAT. NO: YA-L-NT-(TABLE)						
CANADA: 1-800-361-6975 (QUEBEC) 1-800-387-6487 (ALL OTHER PROVINCES)		DRAWN BY: AUGUSTIN.S 07/03/10	CHECKER: --						
FOR PRODUCT INFO: <a href="http://www.burndy.com">http://www.burndy.com</a>		DSN APPVL: J MICHAUD 06/11/11	MFG APPVL: T THRELFALL 06/23/11						
		QA APPVL: T WATTS 06/13/11	MKT APPVL: J SYLVIA 06/13/11						
REV	DATE	DESCRIPTION	ECO	BY	CHK.	PROJ. #	SIZE	DRAWING NO	REV
R	2018-03-12 23:00:00 EST	CATALOG #YAV28LENT38FX ADDED TO SHEET 5	48687	PP	VS	--	D	30003952	R
								SHEET 1 OF 12	

REV: PE0200

DRAWING NO. 30003952	7		6		5		4		3		2		1															
	CATALOG NUMBER	FIG. NO.	CONDUCTOR		STUD HOLE SIZE	DIMENSIONS							DIELESS (# OF CRIMPS)	INSTALLATION TOOLING										WIRE STRIP LENGTH				
			AWG	MM <sup>2</sup>		O.D.	B	C	D MIN.	K DIA.	L	N		T	MECHANICAL		HYDRAULIC											
MD6, OUR840, MD7-34R	BCT500HS, Y500CTHS	Y35, Y39, Y750, PAT750	Y46 PAT46	3	Y45	5	Y48	Y60	COLOR CODE	DIE INDEX																		
YA27LNT14	1	3/0 AWG	--	1/4"	.62 [16]	1.00 [25]	.76 [19]	.67 [17]	.27 [7]	2.10 [53]	.31 [8]	.13 [3]	Y644HS (1) Y81KFT(2) Y81KFTMBH (2) PAT81KFT-18V (2)	W27VT(2)	X27RT(3)	U27RT(1)	U27RT(1)	U27RT(1)	--	--	ORANGE	14	1-1/16"					
YA27LNT516	1			5/16"	.62 [16]	1.00 [25]	.60 [15]	.77 [20]	.33 [8]	2.17 [55]	.34 [9]	.12 [3]																
YA27LNT38	1			3/8"	.62 [16]	1.00 [25]	.73 [19]	1.14 [29]	.41 [10]	2.64 [67]	.41 [10]	.12 [3]																
YA28LNT14	1	4/0 AWG	--	1/4"	.69 [18]	.88 [22]	.76 [19]	1.07 [27]	.27 [7]	2.60 [66]	.31 [8]	.14 [4]		Y644HS (1) Y81KFT(2) Y81KFTMBH (2) PAT81KFT-18V (2)	W28VT(2)	X28RT(3)	U28RT(1)	U28RT(1)	U28RT(1)	C28R(1)	L28RT(1)	PURPLE	15	1-1/8"				
YA28LNT516	1			5/16"	.69 [18]	.88 [22]	.70 [18]	.77 [20]	.33 [8]	2.09 [53]	.34 [9]	.14 [4]																
YA28LNT38	1			3/8"	.69 [18]	.88 [22]	.76 [19]	1.14 [29]	.41 [10]	2.67 [68]	.41 [10]	.14 [4]																
YA29LENT516	1	250 kcmil	--	5/16"	.75 [19]	1.06 [27]	.76 [19]	.72 [18]	.33 [8]	2.48 [63]	.34 [9]	.16 [4]			Y644HS (1) Y81KFT(2) Y81KFTMBH (2) PAT81KFT-18V (2)	W29VT(2)	X29RT(4)	U29RT(1)	U29RT(1)	U29RT(1)	L29R(1)	L29RT(1)	YELLOW	16	1-1/8"			
YA29LENT38	1			3/8"	.75 [19]	1.06 [27]	.96 [19]	1.20 [30]	.41 [10]	2.96 [75]	.41 [10]	.16 [4]																
YA29LNT38	1			3/8"	.75 [19]	1.06 [27]	.96 [24]	1.20 [30]	.41 [10]	2.96 [75]	.41 [10]	.16 [4]																
YA30LNT14	1	300 kcmil	150	1/4"	.81 [21]	1.03 [26]	.83 [21]	.71 [18]	.27 [7]	2.26 [57]	.31 [8]	.16 [4]				Y644HS (1) Y81KFT(2) Y81KFTMBH (2) PAT81KFT-18V (2)	W30VT(4)	----	U30RT(2)	U30RT(2)	U30RT(2)	C30R(2)	L30RT(1)	WHITE	17	1-1/8"		
YA30LNT38	1			3/8"	.81 [21]	1.03 [26]	.96 [24]	1.20 [30]	.41 [10]	2.97 [75]	.41 [10]	.16 [4]																
YA31LNT38	1	350 kcmil	185	3/8"	.88 [22]	1.06 [27]	.96 [24]	1.45 [37]	.41 [10]	3.31 [84]	.41 [10]	.18 [4]					Y644HS (1) Y81KFT(2) Y81KFTMBH (2) PAT81KFT-18V (2)	W31VT(4)	----	U31RT(2)	U31RT(2)	U31RT(2)	C31R(2)	L31RT(1)	RED	18	1-3/16"	
YA31LNT12	1			1/2"	.88 [22]	1.06 [27]	.88 [22]	1.14 [29]	.53 [13]	2.75 [70]	.53 [13]	.18 [4]																
YA32LNT38	1	400 kcmil	--	3/8"	.95 [24]	1.19 [30]	.96 [24]	1.20 [30]	.41 [10]	3.21 [82]	.41 [10]	.20 [5]	Y644HS (1) Y81KFT(2) Y81KFTMBH (2) PAT81KFT-18V (2)					W32VT(4)	----	U32RT(2)	U32RT(2)	U32RT(2)	C32R(2)	L32RT(1)	BLUE	19 OR 470	1-1/4"	
YA32LNT12	1			1/2"	.95 [24]	1.19 [30]	.96 [24]	1.20 [30]	.53 [13]	3.21 [82]	.53 [13]	.19 [5]																
YA34LNT38	1	500 kcmil	240	3/8"	1.06 [27]	1.27 [32]	.96 [24]	1.45 [37]	.41 [10]	3.65 [93]	.41 [10]	.23 [6]		Y644HS (1) Y81KFT(2) Y81KFTMBH (2) PAT81KFT-18V (2)				W34VT(4)	----	U34RT(2)	U34RT(2)	U34RT(2)	C34R(1)	L34RT(1)	BROWN	20 OR 299	1-7/16"	
YA34LNT12	1			1/2"	1.06 [27]	1.27 [32]	.96 [24]	1.45 [37]	.53 [13]	3.65 [93]	.53 [13]	.23 [6]																
YA36LNT38	1	600 kcmil	300	3/8"	1.18 [30]	1.38 [35]	1.12 [28]	1.70 [43]	.41 [10]	4.09 [104]	.50 [13]	.27 [7]						Y644HS (1) Y81KFT(2) Y81KFTMBH (2) PAT81KFT-18V (2)	----	----	U36RT(2)	U36RT(2)	U36RT(2)	C36R(1)	L36RT(1)	GREEN	22	1-3/4"
YA36LNT12	1			1/2"	1.188 [30]	1.38 [35]	1.00 [25]	1.17 [30]	.53 [13]	3.29 [84]	.53 [13]	.27 [7]																
YA39LNT38	1	750 kcmil	--	3/8"	1.300 [33]	1.42 [36]	1.12 [28]	1.70 [36]	.41 [10]	4.24 [108]	.50 [13]	.27 [7]			Y81KFT (3) Y81KFTMBH (3) PAT81KFT-18V (3)				----	----	U39RT(2)	U39RT(2)	U39RT(2)	C39R(1)	L39RT(1)	BLACK	24	1-15/16"
YA39LNT12	1			1/2"	1.300 [33]	1.42 [36]	1.63 [41]	1.70 [36]	.56 [14]	4.24 [108]	.53 [13]	.27 [7]																
YA39LNT58	1			5/8"	1.300 [33]	1.42 [36]	1.30 [33]	1.43 [36]	.69 [10]	3.67 [93]	.66 [17]	.27 [7]																

CONNECTOR SIZE	TOLERANCES						
	B	C	E	K DIA.	L	N	O.D.
-8C THRU -25	± .06	± .04	± .02	± .02	± .09	± .03	± .01
-26 THRU -34	± .08	± .04	± .02	± .02	± .12	± .03	± .01
-35 AND UP	± .09	± .06	± .02	± .02	± .15	± .06	± .01

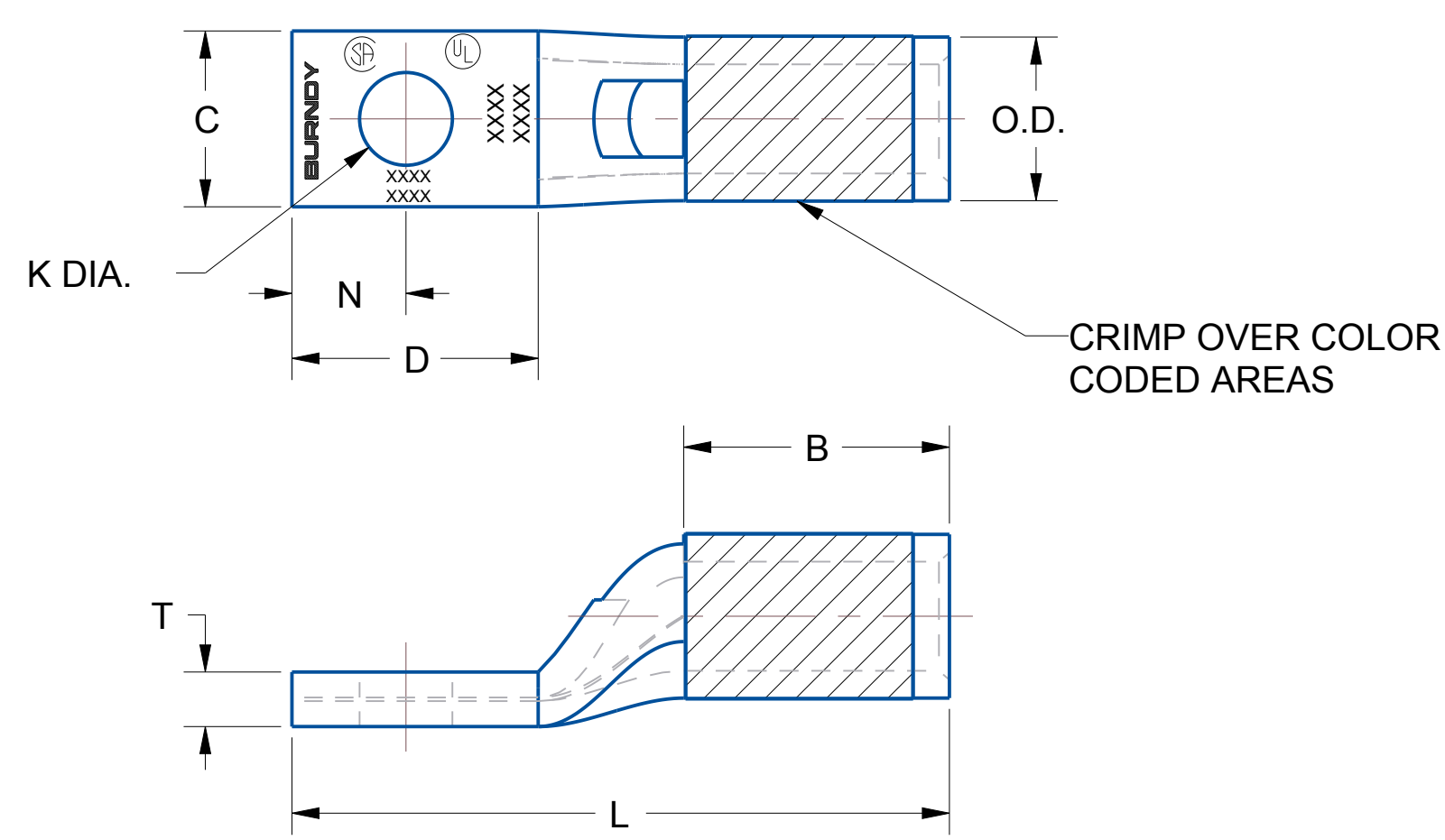


FIG. 1

- NOTES:
- MATERIAL: COPPER TUBING.
  - FINISH: TIN PLATED.
  - CAT NO. PUADP-1 ADAPTOR IS REQUIRED TO USE "U" DIES IN Y46 SERIES TOOLS.
  - DIMENSIONS IN BRACKETS [ ] ARE IN MILLIMETERS ROUNDED OFF TO THE NEAREST MILLIMETER, UNLESS OTHERWISE NOTED, AND ARE FOR REFERENCE ONLY.
  - CAT. NO. PT6515 ADAPTER IS REQUIRED TO USE "U" TYPE DIES IN Y45 TOOLS.

TO ORDER BURNDY® PRODUCTS CALL		HYLUG™ COPPER (NARROW TONGUE)						
UNITED STATES 1-800-346-4175 (LONDONDERRY, NH)		ITEM NO: N/A	CAT. NO: YA-L-NT-(TABLE)					
CANADA: 1-800-361-6975 (QUEBEC) 1-800-387-6487 (ALL OTHER PROVINCES)		DRAWN BY: AUGUSTIN.S 07/03/10	CHECKER: --					
FOR PRODUCT INFO: <a href="http://www.burndy.com">http://www.burndy.com</a>		DSN APPVL: J MICHAUD 06/11/11	MFG APPVL: T THRELFALL 06/23/11					
		QA APPVL: T WATTS 06/13/11	MKT APPVL: J SYLVIA 06/13/11					
REV	DATE	DESCRIPTION	ECO	BY	CHK.	SCALE: 1:1	DRAWING NO	REV
R	2018-03-12 23:00:00 EST	CATALOG #YAV28LENT38FX ADDED TO SHEET 5	48687	PP	VS		30003952	R
							SIZE	SHEET 2 OF 12

REV: PE0200

CATALOG NUMBER	FIG. NO.	CONDUCTOR		STUD HOLE SIZE	DIMENSIONS									DIELESS (# OF CRIMPS)	INSTALLATION TOOLING								WIRE STRIP LENGTH	
		AWG	MM <sup>2</sup>		O.D.	B	C	D MIN.	E	K DIA.	L	N	T		MECHANICAL		HYDRAULIC							
															MD6, OUR840, MD7-34R	BCT500HS, Y500CTHS	Y35, Y39, Y750, PAT750	Y46 PAT46	Y45	Y48	Y60	COLOR CODE		DIE INDEX
YA2CL2NT14	2	#2 AWG	35	1/4"	.42 [11]	.88 [22]	.48 [12]	1.26 [32]	.63 [16]	.27 [7]	2.47 [63]	.31 [8]	.11 [3]	MRC840(1) MY29-3(1) MY29-11(1) Y644HS(1) Y1MRTC(2) Y81KFT(1) Y81KFTMBH(1) PAT81KFT-18V(1)	W2CVT(1)	W2CVT(1)	U2CRT(1)	U2CRT(1)	U2CRT(1)	--	--	BROWN	10	15/16"
YA2CL2NT14E2	2			1/4"	.42 [11]	.88 [22]	.48 [12]	1.39 [35]	.75 [19]	.27 [7]	2.60 [66]	.31 [8]	.11 [3]											
YA2CL2NT14E1	2			1/4"	.42 [11]	.88 [22]	.48 [12]	1.64 [42]	1.00 [25]	.27 [7]	2.84 [72]	.31 [8]	.11 [3]											
YA1CL2NT14	2	#1 AWG	50	1/4"	.46 [12]	.88 [22]	.50 [13]	1.26 [32]	.63 [16]	.27 [7]	2.55 [65]	.31 [8]	.11 [3]	MRC840(1) MY29-3(1) MY29-11(1) Y1MRTC(2) Y644HS(1) Y81KFT(1) Y81KFTMBH(1) PAT81KFT-18V(1)	W1CVT(1)	X1CRT-1(1)	U1CRT-1 (1)	U1CRT-1 (1)	U1CRT-1 (1)	--	--	GREEN	11	15/16"
YA1CL2NT14E2	2			1/4"	.46 [12]	.88 [22]	.50 [13]	1.39 [35]	.75 [19]	.27 [7]	2.68 [68]	.31 [8]	.10 [3]											
YA25L2NT14	2	1/0 AWG	--	1/4"	.51 [13]	.88 [22]	.48 [12]	1.30 [33]	.63 [16]	.27 [7]	2.56 [65]	.31 [8]	.10 [3]	MRC840(2) MY29-3(1) MY29-11(1) Y644HS(1) Y81KFT(1) Y81KFTMBH(1) PAT81KFT-18V(1)	W25VT(2)	W25VT(2)	U25RT(1)	U25RT(1)	U25RT(1)	--	--	PINK	12	15/16"
YA25L2NT14E1	2			1/4"	.51 [13]	.88 [22]	.48 [12]	1.94 [49]	1.00 [25]	.27 [7]	3.28 [83]	.25 [6]	.12 [3]											
YA26L2NT14	2	2/0 AWG	70	1/4"	.56 [14]	.94 [24]	.48 [12]	1.22 [31]	.63 [16]	.27 [7]	2.66 [68]	.25 [6]	.12 [3]	MRC840(2) MY29-3(1) MY29-11(1) Y644HS(1) Y81KFT(1) Y81KFTMBH(1) PAT81KFT-18V(1)	W26VT(1)	W26VT(2) X26RT(2)	U26RT(1)	U26RT(1)	U26RT(1)	--	--	BLACK	13	1"
YA26L2NT14E1	2		--	1/4"	.56 [14]	.94 [24]	.48 [12]	1.60 [41]	1.00 [25]	.27 [7]	3.03 [77]	.25 [6]	.12 [3]											

TOLERANCE BLOCK							
CONNECTOR SIZE	TOLERANCES						
	B	C	E	K DIA.	L	N	O.D.
-8C THRU -25	± .06	± .04	± .02	± .02	± .09	± .03	± .01
-26 THRU -34	± .08	± .04	± .02	± .02	± .12	± .03	± .01
-35 AND UP	± .09	± .06	± .02	± .02	± .15	± .06	± .01

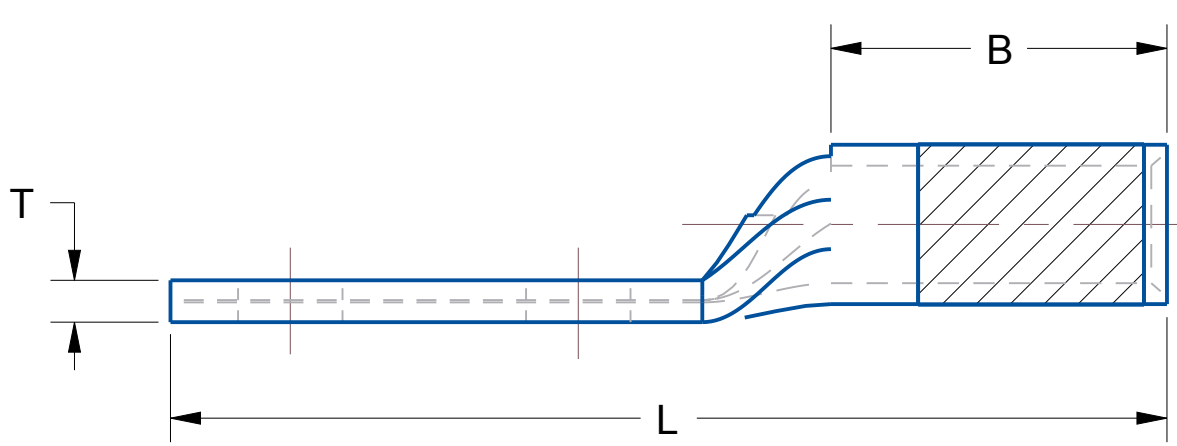
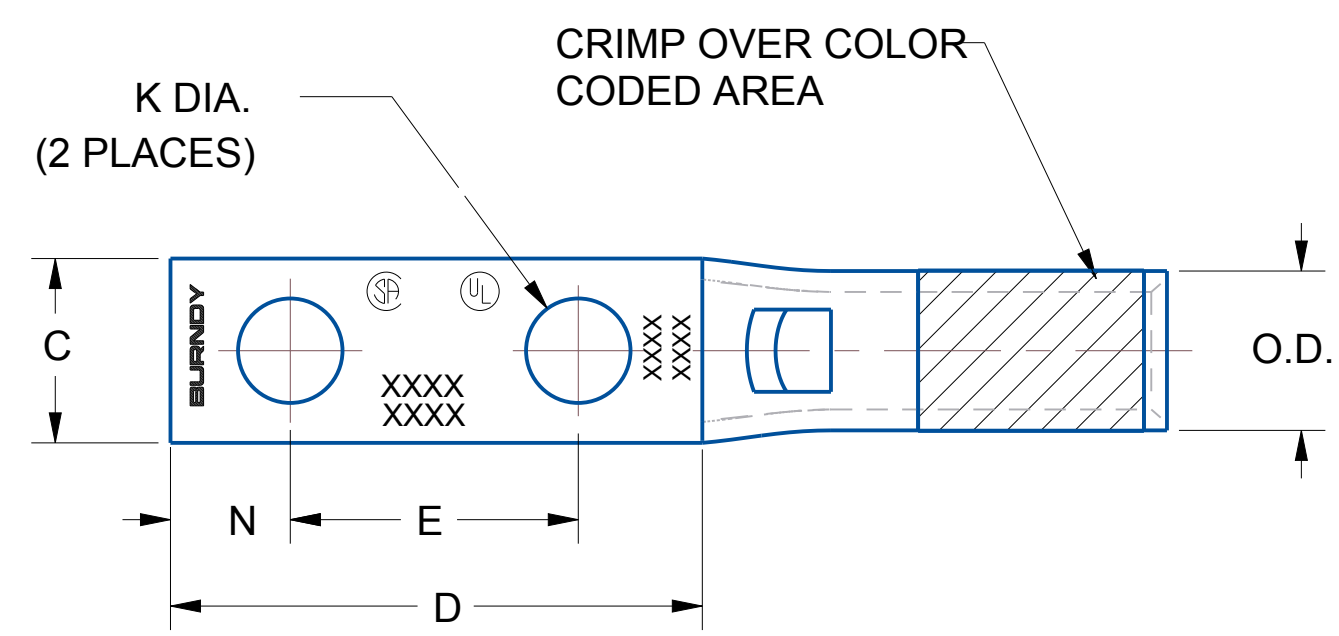


FIG. 2

- NOTES:
- MATERIAL: COPPER TUBING.
  - FINISH: TIN PLATED.
  - CAT NO. PUADP-1 ADAPTOR IS REQUIRED TO USE "U" DIES IN Y46 SERIES TOOLS.
  - DIMENSIONS IN BRACKETS [ ] ARE IN MILLIMETERS ROUNDED OFF TO THE NEAREST MILLIMETER, UNLESS OTHERWISE NOTED, AND ARE FOR REFERENCE ONLY.
  - CAT. NO. PT6515 ADAPTER IS REQUIRED TO USE "U" TYPE DIES IN Y45 TOOLS.

TO ORDER BURNDY® PRODUCTS CALL		HYLUG™ COPPER (NARROW TONGUE)	
UNITED STATES 1-800-346-4175 (LONDONDERRY, NH)		ITEM NO: N/A	CAT. NO: YA-L-NT-(TABLE)
CANADA: 1-800-361-6975 (QUEBEC) 1-800-387-6487 (ALL OTHER PROVINCES)		DRAWN BY: AUGUSTIN.S 07/03/10	CHECKER: --
FOR PRODUCT INFO: <a href="http://www.burndy.com">http://www.burndy.com</a>		DSN APPVL: J MICHAUD 06/11/11	MFG APPVL: T THRELFALL 06/23/11
		QA APPVL: T WATTS 06/13/11	MKT APPVL: J SYLVIA 06/13/11
		PROD FAM: CM&R COMPRESSION	DRAWING NO: 30003952
		PROJECT #: --	SCALE: 1:1
		DOCUMENT TYPE: Sales	SIZE: D
		REL LEVEL: In Work	SHEET 3 OF 12

REV	DATE	DESCRIPTION	ECO	BY	CHK.
R	2018-03-12 23:00:00 EST	CATALOG #YAV28LENT38FX ADDED TO SHEET 5	48687	PP	VS

REV: PE0200

DRAWING NO. 30003952	7		6		5		4		3		2		1											
	CATALOG NUMBER	FIG. NO.	CONDUCTOR		DIMENSIONS								DIELESS (# OF CRIMPS)	INSTALLATION TOOLING								WIRE STRIP LENGTH		
			AWG	MM <sup>2</sup>	STUD HOLE SIZE	O.D.	B	C	D MIN.	E	K DIA.	L		N	T	MECHANICAL		HYDRAULIC						
MD6, OUR840, MD7-34R	BCT500HS, Y500CTHS	Y35, Y39, Y750, PAT750	Y46 PAT46	Y45	Y48	Y60	COLOR CODE	DIE INDEX																
YA27L2NT14	2	3/0 AWG	--	1/4"	.62 [16]	1.00 [25]	.76 [19]	1.30 [33]	.63 [16]	.27 [7]	2.73 [69]	.31 [8]	.13 [3]	MY29-3(1) MY29-11(1) MRC840(2) Y644HS(1) Y81KFT(1) Y81KFTMBH(1) PAT81KFT-18V(1)	W27VT(2) W27RT(2) X27RT(3)	W27VT(2) W27RT(2) X27RT(3)	U27RT(1)	U27RT(1)	U27RT(1)	--	--	ORANGE	14	1-1/16"
YA27L2NT38	2			3/8"	.62 [16]	1.00 [25]	.60 [15]	1.74 [44]	1.00 [25]	.41 [10]	3.30 [84]	.41 [10]	.13 [3]											
YA27L2NT516	2			5/16"	.62 [16]	1.00 [25]	.60 [15]	1.73 [44]	1.00 [25]	.33 [8]	3.26 [83]	.31 [8]	.13 [3]											
YA28L2NT14	2	4/0 AWG	--	1/4"	.69 [18]	.88 [22]	.76 [19]	1.30 [33]	.63 [16]	.27 [7]	2.65 [67]	.31 [8]	.13 [3]	MY29-3(1) MY29-11(1) Y644HS(1) Y81KFT(1) Y81KFTMBH(1) PAT81KFT-18V(1)	W27RT(2)	W28RT(2) X28RT(3)	U28RT(1)	U28RT(1)	U28RT(1)	C28R(1)	L28RT(1)	PURPLE	15	1-1/16"
YA29L2NT38	2	250 kcmil	--	3/8"	.75 [19]	1.00 [25]	.80 [20]	1.83 [47]	1.00 [25]	.41 [10]	3.43 [87]	.41 [10]	.16 [4]											
YA29L2NT38E16	2			3/8"	.75 [19]	1.06 [27]	.80 [20]	1.83 [47]	1.75 [44]	.41 [10]	4.18 [106]	.41 [10]	.16 [4]											
YA31L2NT38	2	350 kcmil	185	3/8"	.88 [22]	1.06 [27]	.96 [24]	1.82 [46]	1.00 [25]	.41 [10]	3.51 [89]	.41 [10]	.18 [4]	Y644HS(1) Y81KFT(1) Y81KFTMBH(1) PAT81KFT-18V(1)	W31VT(2)	W31VT(2) W31RT(2)	U31RT(2) U29ART(2)	U31RT(2) U29ART(2)	U31RT(2) U29ART(2)	C31R(2) C29AR(2)	L31RT(1) L29ART(1)	RED	18	1-1/8"
YA31L2NT38E16	2			3/8"	.88 [22]	1.06 [27]	.88 [22]	2.59 [66]	1.75 [44]	.41 [10]	4.36 [111]	.41 [10]	.18 [4]											
YA34L2NT38	2	500 kcmil	240	3/8"	1.06 [27]	1.27 [32]	.96 [24]	1.82 [46]	1.00 [25]	.41 [10]	3.65 [93]	.41 [10]	.23 [6]											
YA34L2NT38E16	2			3/8"	1.06 [27]	1.27 [32]	.96 [24]	2.58 [66]	1.75 [44]	.41 [10]	4.63 [117]	.41 [10]	.23 [6]											
YA34L2NT12E1	2			1/2"	1.06 [27]	1.27 [32]	.96 [24]	2.08 [53]	1.00 [25]	.53 [13]	4.13 [105]	.53 [13]	.23 [6]											
YA36L2NNT	2	600 kcmil	300	1/2"	1.19 [30]	1.38 [35]	1.12 [28]	3.00 [76]	1.75 [44]	.53 [13]	5.43 [138]	.63 [16]	.27 [16]	---	---	U36RT(2)	U36RT(2)	U36RT(2)	C36R(1)	L36RT(1)	GREEN	472	1-3/4"	
YA39L2NT38	2	750 kcmil	--	3/8"	1.30 [33]	1.42 [36]	1.63 [41]	2.06 [52]	1.00 [25]	.41 [10]	4.34 [110]	.50 [13]	.27 [16]											
YA39L2NT38E16	2			3/8"	1.30 [33]	1.42 [36]	1.30 [33]	2.78 [71]	1.75 [44]	.41 [10]	5.11 [130]	.50 [13]	.27 [16]											
YA39L2NT12E1	2			1/2"	1.30 [33]	1.42 [36]	1.30 [33]	2.08 [53]	1.00 [25]	.53 [13]	4.42 [112]	.53 [13]	.27 [16]											

TOLERANCE BLOCK							
CONNECTOR SIZE	TOLERANCES						
	B	C	E	K DIA.	L	N	O.D.
-8C THRU -25	± .06	± .04	± .02	± .02	± .09	± .03	± .01
-26 THRU -34	± .08	± .04	± .02	± .02	± .12	± .03	± .01
-35 AND UP	± .09	± .06	± .02	± .02	± .15	± .06	± .01

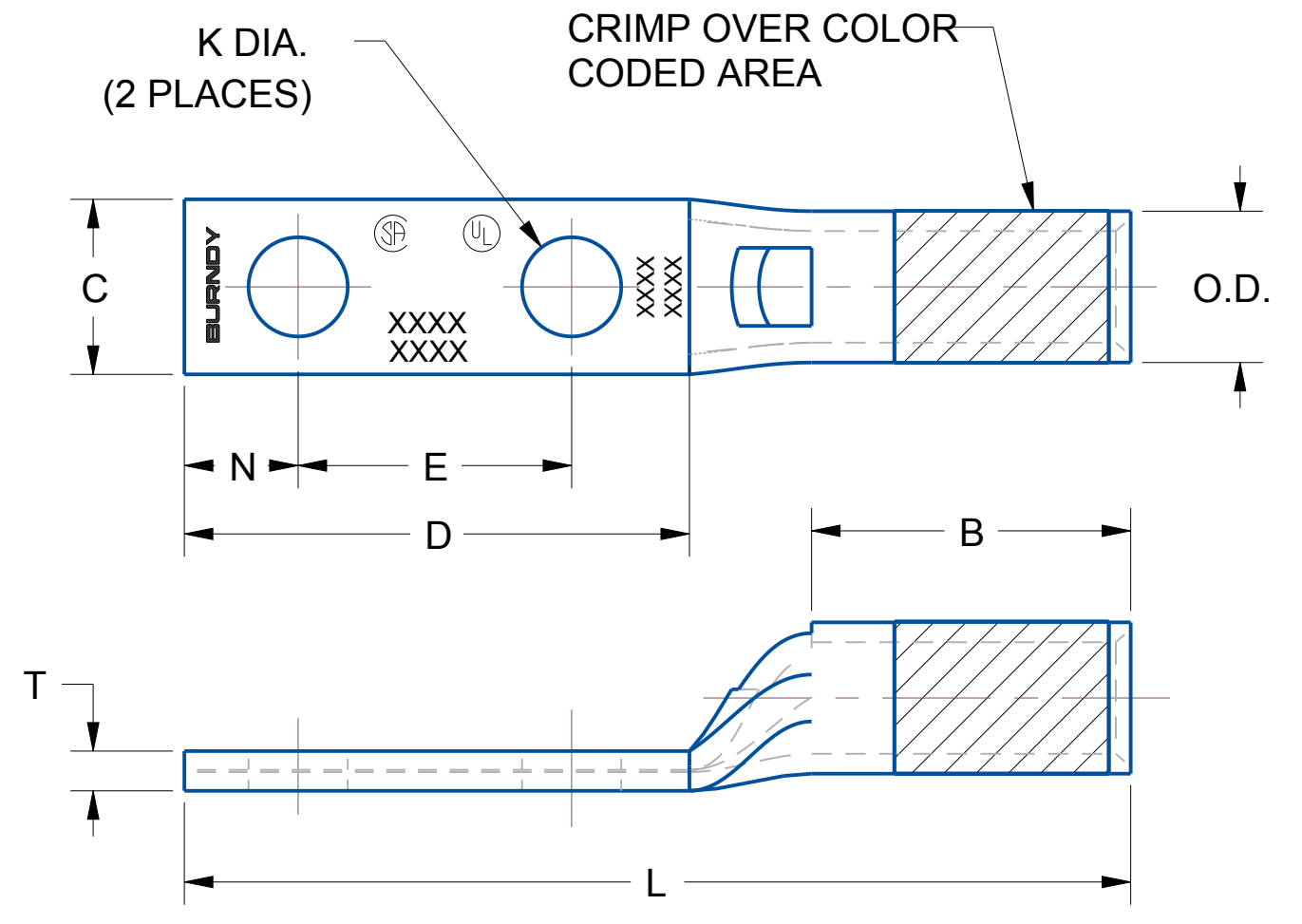


FIG. 2

- NOTES:
1. MATERIAL: COPPER TUBING.
  2. FINISH: TIN PLATED.
  3. CAT NO. PUADP-1 ADAPTOR IS REQUIRED TO USE "U" DIES IN Y46 SERIES TOOLS.
  4. DIMENSIONS IN BRACKETS [ ] ARE IN MILLIMETERS ROUNDED OFF TO THE NEAREST MILLIMETER, UNLESS OTHERWISE NOTED, AND ARE FOR REFERENCE ONLY.
  5. CAT. NO. PT6515 ADAPTER IS REQUIRED TO USE "U" TYPE DIES IN Y45 TOOLS.

TO ORDER BURNDY® PRODUCTS CALL		HYLUG™ COPPER (NARROW TONGUE)	
UNITED STATES 1-800-346-4175 (LONDONDERRY, NH)		ITEM NO: N/A	CAT. NO: YA-L-NT-(TABLE)
CANADA: 1-800-361-6975 (QUEBEC) 1-800-387-6487 (ALL OTHER PROVINCES)		DRAWN BY: AUGUSTIN.S 07/03/10	CHECKER: --
FOR PRODUCT INFO: <a href="http://www.burndy.com">http://www.burndy.com</a>		DSN APPVL: J MICHAUD 06/11/11	MFG APPVL: T THRELFALL 06/23/11
		QA APPVL: T WATTS 06/13/11	MKT APPVL: J SYLVIA 06/13/11
		PROD FAM: CM&R COMPRESSION	DRAWING NO: 30003952
		PROJECT #: --	SCALE: 3:1
		DOCUMENT TYPE: Sales	SIZE: D
		REL LEVEL: In Work	SHEET 4 OF 12

REV	DATE	DESCRIPTION	ECO	BY	CHK.
R	2018-03-12 23:00:00 EST	CATALOG #YAV28LENT38FX ADDED TO SHEET 5	48687	PP	VS

REV: PE0200

DRAWING NO. 30003952	7		6		5		4		3		2		1										
	CATALOG NUMBER	FIG. NO.	CONDUCTOR		STUD HOLE SIZE	DIMENSIONS						DIELESS (# OF CRIMPS)	INSTALLATION TOOLING								WIRE STRIP LENGTH		
			AWG	MM <sup>2</sup>		O.D.	B	C	D MIN.	K DIA.	L		N	T	MECHANICAL		HYDRAULIC						
MD6, OUR840, MD7-34R	BCT500HS, Y500CTHS	Y35, Y39, Y750, PAT750	Y46 PAT46 $\triangleleft$ 3	Y45 $\triangleleft$ 5	Y48	Y60	COLOR CODE	DIE INDEX															
YAV4CLNT10FX	3	4 AWG CLASS B,C FLEX CLASS G,H,I,K,M DLO 105/24	---	#10	.38 [10]	.50 [13]	.41 [10]	.52 [13]	.21 [5]	1.32 [34]	.25 [6]	.09 [2]	MY29-11(1) Y1MRTC(2) Y81KFT(1) Y81KFTMBH(1) PAT81KFT-18V(1)	W4CRT(1) X4CRT(1) W4CVT(1)	W4CRT(1) W4CVT(1) X4CRT(1)	U4CRT(1)	U4CRT(1)	U4CRT(1)	--	--	GRAY	8	1/2"
YAV2CLNT14FX	3	2 AWG CLASS B,C FLEX CLASS G,H,I,K,M DLO 150/24	35	1/4"	.46 [12]	.63 [16]	.46 [12]	.64 [16]	.27 [7]	1.71 [43]	.31 [8]	.10 [3]	Y1MRTC(2) MY29-11(1) Y81KFT(1) Y644(1) Y444(1)	W2CVT(1) W2CRT(1) X2CRT(1)	W2CVT(1) W2CRT(1) X2CRT(1)	U2CRT(1)	U2CRT(1)	U2CRT(1)	--	--	BROWN	10	11/16"
YAV2CLNT516FX	3			5/16"	.46 [12]	.63 [16]	.44 [11]	.70 [18]	.33 [8]	1.78 [45]	.34 [9]	.10 [3]											
YAV25LNT14FX	3	1/0 AWG CLASS B,C FLEX CLASS G,H,I,K,M DLO 275/24	50	1/4"	.56 [14]	.69 [18]	.67 [17]	.64 [16]	.27 [7]	1.75 [44]	.31 [8]	.12 [3]											
YAV25LNT516FX	3			5/16"	.56 [14]	.69 [18]	.67 [17]	.70 [18]	.33 [8]	1.81 [46]	.34 [9]	.12 [3]		W25VT(2) W25RT(2) X25RT(2)	W25VT(2) W25RT(2) X25RT(2)	U25RT(1)	U25RT(1)	U25RT(1)	--	--	PINK	12	11/16"
YAV25LNT38FX	3			3/8"	.56 [14]	.69 [18]	.76 [19]	.83 [21]	.41 [10]	1.94 [49]	.41 [10]	.13 [3]											
YAV26LNT516FX	3	2/0 AWG CLASS B,C FLEX CLASS G,H,I,K,M DLO 325/24	70	5/16"	.63 [16]	.81 [21]	.87 [22]	.70 [18]	.33 [8]	1.98 [50]	.34 [9]	.13 [3]											
YAV26LNT38FX	3			3/8"	.63 [16]	.81 [21]	.87 [22]	.83 [21]	.41 [10]	2.11 [54]	.41 [10]	.13 [3]	MY29-11(1) Y81KFT(1) PAT81KFT(1) Y644(1) PAY644(1) Y444(1) PAT444(1)	W26VT(2) W26RT(2) X26RT(2)	W26VT(2) W26RT(2) X26RT(2)	U26RT(1)	U26RT(1)	U26RT(1)	--	--	BLACK	13	13/16"
YAV26LNT12FX	3			1/2"	.63 [16]	.81 [21]	.87 [22]	1.08 [27]	.53 [13]	2.36 [60]	.53 [13]	.13 [3]											
YAV28LNT516FX	3	4/0 AWG CLASS B,C FLEX CLASS G,H,I,K,M DLO 550/24	---	5/16"	.77 [20]	1.03 [26]	.94 [24]	.70 [18]	.33 [8]	2.29 [58]	.34 [9]	.15 [4]											
YAV28LNT38FX	3			3/8"	.77 [20]	1.03 [26]	.94 [24]	.83 [21]	.41 [10]	2.42 [61]	.41 [10]	.15 [4]		W28VT(2) W28RT(2) X28RT(3)	W28VT(2) W28RT(2) X28RT(3)	U28RT(1)	U28RT(1)	U28RT(1)	C28R(1)	L28RT(1)	PURPLE	15	1-1/16"
YAV28LNT12FX	3			1/2"	.77 [20]	1.03 [26]	.76 [19]	1.08 [27]	.53 [13]	2.67 [68]	.53 [13]	.15 [4]											
YAV28LNT14FX	3			1/4"	.77 [20]	1.03 [26]	.76 [19]	.62 [16]	.27 [7]	2.23 [56]	.31 [8]												
YA30LNT516FX	3	250 FLEX CLASS G: 259 STR CLASS H: 427 STR 4/0 FLEX CLASS I, 532 STR CLASS K, 2107 STR CLASS M, 5320 STR DLD, 550/24	---	5/16"	.81 [21]	1.03 [26]	.96 [24]	.72 [18]	.33 [8]	2.49 [63]	.34 [9]	.26 [6]	Y81KFT(1) PAT81KFT(1) Y644(1) PAY644(1) Y444(1) PAT444(1)	W29VT(2)	W29VT(1)	U29RT(1)	U29RT(1)	U29RT(1)	--	--	YELLOW	16	1-1/8"
YA31LNT12FX	3	250 FLEX DLO 650/24 CLASS I,K,M	150	1/2"	.88 [22]	1.06 [27]	.96 [24]	1.20 [30]	.53 [13]	2.75 [70]	.53 [13]	.18 [4]		W30VT(2)	W30VT(2) W30RT(2)	U30RT(2)	U30RT(2)	U30RT(2)	C30R(1)	L30RT(1)	WHITE	17	1-1/8"

TOLERANCE BLOCK							
CONNECTOR SIZE	TOLERANCES						
	B	C	E	K DIA.	L	N	O.D.
-8C THRU -25	± .06	± .04	± .02	± .02	± .09	± .03	± .01
-26 THRU -34	± .08	± .04	± .02	± .02	± .12	± .03	± .01
-35 AND UP	± .09	± .06	± .02	± .02	± .15	± .06	± .01

- NOTES:
- MATERIAL: COPPER TUBING.
  - FINISH: TIN PLATED.
  - CAT NO. PUADP-1 ADAPTOR IS REQUIRED TO USE "U" DIES IN Y46 SERIES TOOLS.
  - DIMENSIONS IN BRACKETS [ ] ARE IN MILLIMETERS ROUNDED OFF TO THE NEAREST MILLIMETER, UNLESS OTHERWISE NOTED, AND ARE FOR REFERENCE ONLY.
  - CAT. NO. PT6515 ADAPTER IS REQUIRED TO USE "U" TYPE DIES IN Y45 TOOLS.
  - THE YA30LNT516FX IS NOT UL/CSA LISTED USING ANY CLASS OF 4/0 FLEX COPPER CONDUCTOR.

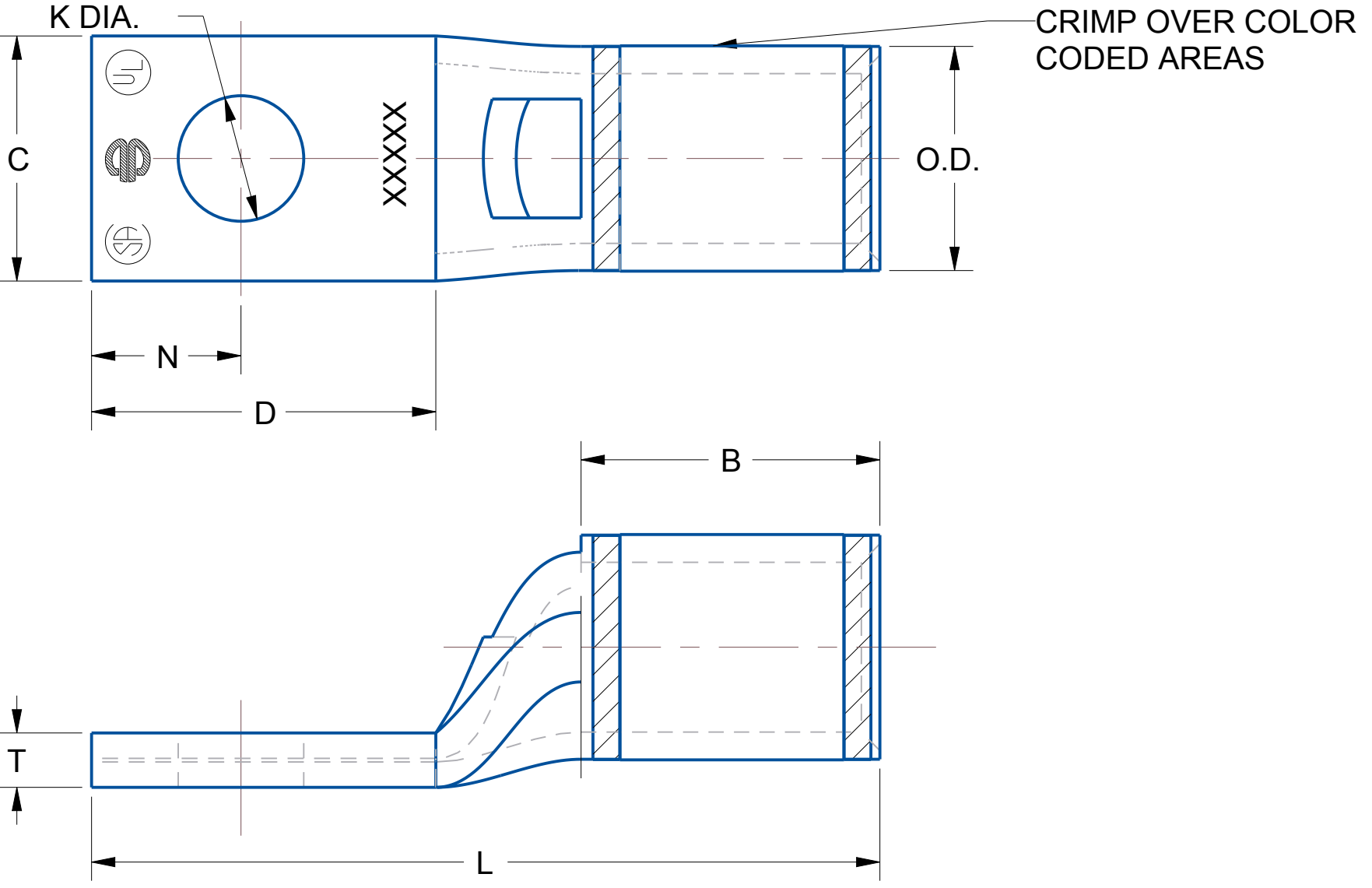


FIG. 3

REV	DATE	DESCRIPTION	ECO	BY	C'H'K.
R	2018-03-12 23:00:00 EST	CATALOG #YAV28LNT38FX ADDED TO SHEET 5	48687	PP	VS

TO ORDER BURNDY® PRODUCTS CALL  
 UNITED STATES  
 1-800-346-4175 (LONDONDERRY, NH)  
 CANADA:  
 1-800-361-6975 (QUEBEC)  
 1-800-387-6487 (ALL OTHER PROVINCES)  
 FOR PRODUCT INFO: <http://www.burndy.com>

HYLUG™ COPPER (NARROW TONGUE)

ITEM NO:	N/A
CAT. NO:	YA-L-NT-(TABLE)
DRAWN BY:	AUGUSTIN.S 07/03/10
CHECKER:	--
DSN APPVL:	J MICHAUD 06/11/11
MFG APPVL:	T THRELFALL 06/23/11
QA APPVL:	T WATTS 06/13/11
MKT APPVL:	J SYLVIA 06/13/11
PROD FAM:	CM&R COMPRESSION
PROJECT #:	--
DOCUMENT TYPE:	Sales
REL LEVEL:	In Work

SCALE: 3:1

DRAWING NO	30003952
REV	R
SHEET	5 OF 12

REV: PE0200

CATALOG NUMBER	FIG. NO.	CONDUCTOR		STUD HOLE SIZE	DIMENSIONS								DIELESS (# OF CRIMPS)	INSTALLATION TOOLING										WIRE STRIP LENGTH
		AWG	MM <sup>2</sup>		O.D.	B	C	D MIN.	K DIA.	L	N	T		MECHANICAL		HYDRAULIC								
														MD6, OUR840, MD7-34R	BCT500HS, Y500CTHS	Y35, Y39, Y750, PAT750	Y46 PAT46 $\triangleleft$ 3	Y45 $\triangleleft$ 5	Y48	Y60	COLOR CODE	DIE INDEX		
YA32LNT516FX	3	313.1 kcmil 775/24 300 FLEX	185	5/16"	.95 [24]	1.19 [30]	.96 [24]	.70 [18]	.33 [8]	2.65 [65]	.34 [9]	.19 [5]	Y644HS(1) Y81KFT(1) Y81KFTMBH(1) PAT81KFT-18V(1)	W31VT(2)	W31VT(2) W31RT(2)	U31RT(2)	U31RT(2)	U31RT(2)	C31R(1)	L31RT(1)	RED	18	1-1/4"	
YA32LNT38FX	3			3/8"	.95 [24]	1.19 [30]	.96 [24]	.83 [21]	.41 [10]	2.68 [68]	.41 [10]	.19 [5]												
YA34LNT38FX	3	373.7 kcmil 925/24 350 FLEX	240	3/8"	1.06 [27]	1.27 [32]	.96 [24]	.85 [22]	.41 [10]	2.87 [73]	.41 [10]	.23 [6]	Y644HS(1) Y81KFT(1) Y81KFTMBH(1) PAT81KFT-18V(1)	W32VT(2)	W32VT(2) W32RT(2)	U32RT(2)	U32RT(2)	U32RT(2)	C32R(2)	L32RT(1)	BLUE	19	1-5/16"	
YA34LNT12FX	3			1/2"	1.06 [27]	1.27 [32]	.96 [24]	1.10 [28]	.53 [13]	3.12 [79]	.53 [13]	.23 [6]												
YA38LNT12FX	3	535.3 kcmil 1325/24 500 FLEX	300	1/2"	1.25 [32]	1.45 [37]	1.63 [41]	1.08 [27]	.53 [13]	3.41 [87]	.53 [13]	.27 [7]	Y644HS(1) Y81KFT(1) Y81KFTMBH(1) PAT81KFT-18V(1)	---	---	U38XRT(2)	U38XRT(2)	U38XRT(2)	--	L38RT(1)	PINK	L99	1-7/16"	
YA38LNTM20FX	3			M20	1.25 [32]	1.45 [37]	1.63 [41]	1.51 [38]	.85 [22]	3.84 [98]	.75 [19]	.27 [7]												
YA44LNT38FX	3	777.7 kcmil 1925/24 750 FLEX	500	3/8"	1.50 [38]	1.65 [42]	1.50 [38]	1.20 [30]	.41 [10]	3.79 [96]	.53 [13]	.33 [8]	Y644HS(1) Y81KFT(2) Y81KFTMBH(2) PAT81KFT-18V(2)	---	---	U44ZRT(2)	U44ZRT(2)	U44ZRT(2)	C44R(1)	L44RT(1)	YELLOW	L115	1-5/8"	
YA44LNT12FX	3			1/2"	1.50 [38]	1.65 [42]	1.62 [41]	1.26 [32]	.56 [14]	3.98 [101]	.62 [16]	.33 [8]												

TOLERANCE BLOCK							
CONNECTOR SIZE	TOLERANCES						
	B	C	E	K DIA.	L	N	O.D.
-8C THRU -25	± .06	± .04	± .02	± .02	± .09	± .03	± .01
-26 THRU -34	± .08	± .04	± .02	± .02	± .12	± .03	± .01
-35 AND UP	± .09	± .06	± .02	± .02	± .15	± .06	± .01

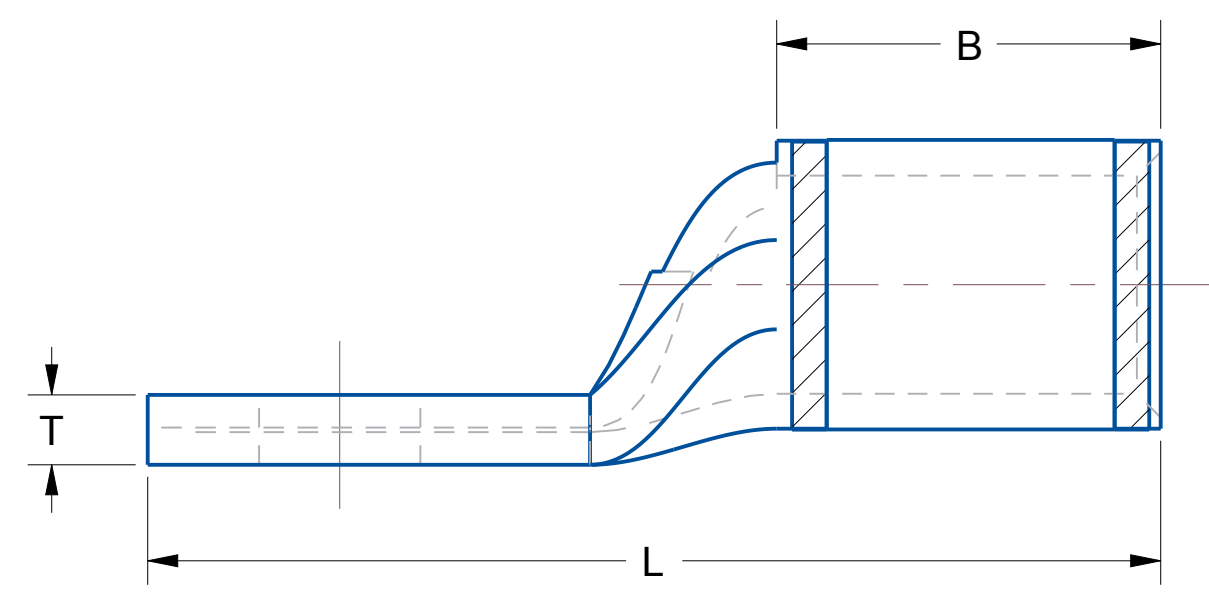
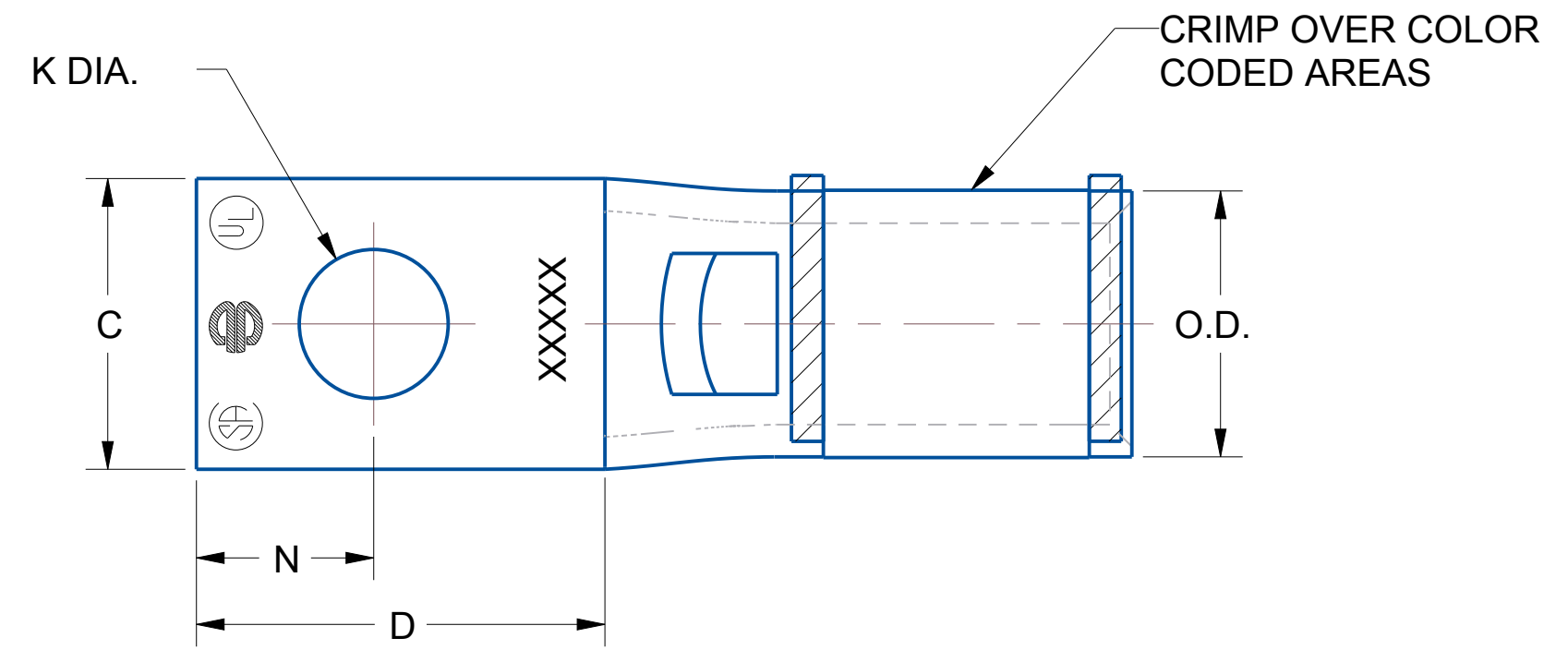


FIG. 3

- NOTES:
1. MATERIAL: COPPER TUBING.
  2. FINISH: TIN PLATED.
  3. CAT NO. PUADP-1 ADAPTOR IS REQUIRED TO USE "U" DIES IN Y46 SERIES TOOLS.
  4. DIMENSIONS IN BRACKETS [ ] ARE IN MILLIMETERS ROUNDED OFF TO THE NEAREST MILLIMETER, UNLESS OTHERWISE NOTED, AND ARE FOR REFERENCE ONLY.
  5. CAT. NO. PT6515 ADAPTER IS REQUIRED TO USE "U" TYPE DIES IN Y45 TOOLS.

TO ORDER BURNDY® PRODUCTS CALL		HYLUG™ COPPER (NARROW TONGUE)	
UNITED STATES 1-800-346-4175 (LONDONDERRY, NH)		ITEM NO: N/A	CAT. NO: YA-L-NT-(TABLE)
CANADA: 1-800-361-6975 (QUEBEC) 1-800-387-6487 (ALL OTHER PROVINCES)		DRAWN BY: AUGUSTIN.S 07/03/10	CHECKER: --
FOR PRODUCT INFO: <a href="http://www.burndy.com">http://www.burndy.com</a>		DSN APPVL: J MICHAUD 06/11/11	MFG APPVL: T THRELFALL 06/23/11
		QA APPVL: T WATTS 06/13/11	MKT APPVL: J SYLVIA 06/13/11
		PROD FAM: CM&R COMPRESSION	SCALE: 3:1
		PROJECT #: --	SIZE
		DOCUMENT TYPE: Sales	30003952
		REL LEVEL: In Work	D
			SHEET 6 OF 12

REV	DATE	DESCRIPTION	ECO	BY	CHK.
R	2018-03-12 23:00:00 EST	CATALOG #YAV28LENT38FX ADDED TO SHEET 5	48687	PP	VS

REV: PE0200

DRAWING NO. 30003952	7	6	5	4	3	2	1	CATALOG NUMBER	FIG. NO.	CONDUCTOR		STUD HOLE SIZE	DIMENSIONS											INSTALLATION TOOLING										WIRE STRIP LENGTH
										AWG	MM <sup>2</sup>		O.D.	B	C	D MIN.	E	K DIA.	L	N	T	DIELESS (# OF CRIMPS)	MECHANICAL		HYDRAULIC						COLOR CODE	DIE INDEX		
																							MD6, OUR840, MD7-34R	BCT500HS, Y500CTHS	Y35, Y39, Y750, PAT750	Y46 PAT46	Y45	Y48	Y60					
YAV29L2NT38FX	4	4/0 AWG 4/0 WELD 550/24	---	3/8"	.80 [20]	1.03 [26]	.94 [24]	1.84 [47]	1.00 [25]	.41 [10]	3.43 [87]	.41 [10]	.16 [4]	Y644HS(1) Y81KFT(1) Y81KFTMBH(1) PAT81KFT-18V(1)	W29VT(2) X29RT(4)	W29VT(2) W29RT(2) X29RT(4)	U29RT(1)	U29RT(1)	U29RT(1)	C29R(1)	L29RT(1)	YELLOW	16	1-1/16"										
YA31L2NT38FX	4	250 FLEX 637/24 CLASS I,K,M	150	3/8"	.88 [22]	1.06 [27]	.96 [24]	1.84 [47]	1.00 [25]	.41 [10]	3.51 [89]	.41 [10]	.18 [4]	Y644HS(1) Y81KFT(1) Y81KFTMBH(1) PAT81KFT-18V(1)	W30VT(2)	W30VT(2) W30RT(2)	U30RT(2)	U30RT(2)	U30RT(2)	C30R(2)	L30RT(1)	WHITE	17	1-1/8"										
YA32L2NT38FX	4	313.1 kcmil 775/24 300 FLEX	185	3/8"	.95 [24]	1.19 [30]	.96 [24]	1.84 [47]	1.00 [25]	.41 [10]	3.69 [94]	.41 [10]	.20 [5]	Y644HS(1) Y81KFT(1) Y81KFTMBH(1) PAT81KFT-18V(1)	W31VT(2)	W31VT(2) W31RT(2)	U31RT(2)	U31RT(2)	U31RT(2)	C31R(2)	L31RT(1)	RED	18	1-1/4"										
YA34L2NT38FX	4	373.7 kcmil 925/24 350 FLEX	240	3/8"	1.06 [27]	1.27 [32]	.96 [24]	2.58 [66]	1.00 [25]	.41 [10]	3.88 [99]	.41 [10]	.23 [6]	Y644HS(1) Y81KFT(1) Y81KFTMBH(1) PAT81KFT-18V(1)	W32VT(2)	W32VT(2) W32RT(2)	U32RT(2)	U32RT(2)	U32RT(2)	C32R(2)	L32RT(1)	BLUE	19	1-5/16"										
YA36L2ENT38E10FX	4	444.4 kcmil 1100/24 450 FLEX	---	3/8"	1.19 [30]	1.38 [35]	1.50 [38]	2.30 [58]	1.25 [32]	.41 [10]	4.49 [114]	.50 [13]	.27 [7]	Y644HS(1) Y81KFT(1)	---	---	U34RT(2)	U34RT(2)	U34RT(2)	C34R(1)	L34RT(1)	BROWN	20	1-7/16"										
YA36L2NT38FX	4			3/8"	1.19 [30]	1.38 [35]	1.63 [41]	2.03 [51]	1.00 [25]	.41 [10]	4.24 [108]	.50 [13]	.27 [7]	Y81KFTMBH(1) PAT81KFT-18V(1)	---	---	U38XRT(2)	U38XRT(2)	U38XRT(2)	--	L38RT(1)	PINK	L99	1-7/16"										
YA38L2ENT38FX	4	535.3 kcmil 1325/24 500 FLEX	300	3/8"	1.25 [32]	1.45 [37]	1.50 [38]	2.03 [51]	1.00 [25]	.41 [10]	4.35 [110]	.50 [13]	.27 [7]	Y644HS(1) Y81KFT(1)	---	---	U39RT(2)	U39RT(2)	U39RT(2)	C39R(1)	L39RT(1)	BLACK	24	1-5/16"										
YA38L2NT38FX	4			3/8"	1.25 [32]	1.45 [37]	1.63 [41]	2.03 [51]	1.00 [25]	.41 [10]	4.35 [110]	.50 [13]	.27 [7]	Y81KFTMBH(1) PAT81KFT-18V(1)	---	---	U44XRT(2)	U44XRT(2)	U44XRT(2)	C44R(1)	L44RT(1)	YELLOW	L115	1-5/8"										
YA38L2NNTFX	4			1/2"	1.25 [32]	1.45 [37]	1.63 [41]	3.03 [77]	1.75 [44]	.56 [14]	5.35 [136]	.63 [16]	.27 [7]	Y644HS(1) Y81KFT(2) Y81KFTMBH(2) PAT81KFT-18V(2)	---	---	P44RT(2)	P45RT(2)	S45RT(2)	C45R(1)	L45RT(1)	WHITE	27	2-1/16"										
YA40L2NNTFX	4	646 kcmil 1600/24 650 FLEX	400	1/2"	1.35 [34]	1.42 [36]	1.63 [41]	3.03 [77]	1.75 [44]	.56 [14]	5.38 [137]	.63 [16]	.30 [8]	Y644HS(1) Y81KFT(2) Y81KFTMBH(2) PAT81KFT-18V(2)	---	---	U44XRT(2)	U44XRT(2)	U44XRT(2)	C44R(1)	L44RT(1)	YELLOW	L115	1-5/8"										
YA44L2NNTFX	4	777.7 kcmil 1925/24 750 FLEX	500	1/2"	1.50 [38]	1.65 [42]	1.63 [41]	3.03 [77]	1.75 [44]	.56 [14]	5.74 [146]	.63 [16]	.33 [8]	Y644HS(1) Y81KFT(2)	---	---	P44RT(2)	P45RT(2)	S45RT(2)	C45R(1)	L45RT(1)	WHITE	27	2-1/16"										
YA44L2NT38FX	4			3/8"	1.50 [38]	1.65 [42]	1.63 [41]	2.03 [51]	1.00 [25]	.41 [10]	4.74 [120]	.50 [13]	.33 [8]	Y81KFTMBH(2) PAT81KFT-18V(2)	---	---	P44RT(2)	P45RT(2)	S45RT(2)	C45R(1)	L45RT(1)	WHITE	27	2-1/16"										
YA45L2NT38FX	4	929 kcmil 2300/24	---	3/8"	1.69 [43]	2.00 [51]	1.70 [43]	2.02 [51]	1.00 [25]	.41 [10]	5.18 [132]	.50 [13]	.38 [10]	---	---	---	P44RT(2)	P45RT(2)	S45RT(2)	C45R(1)	L45RT(1)	WHITE	27	2-1/16"										

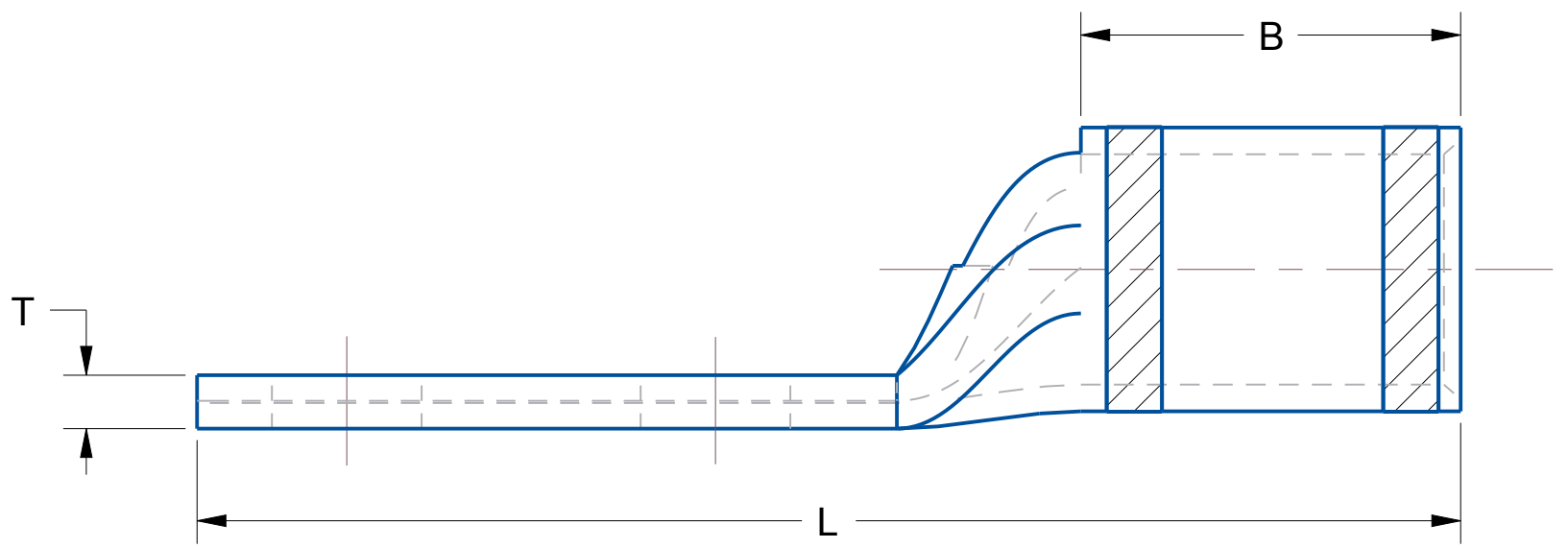
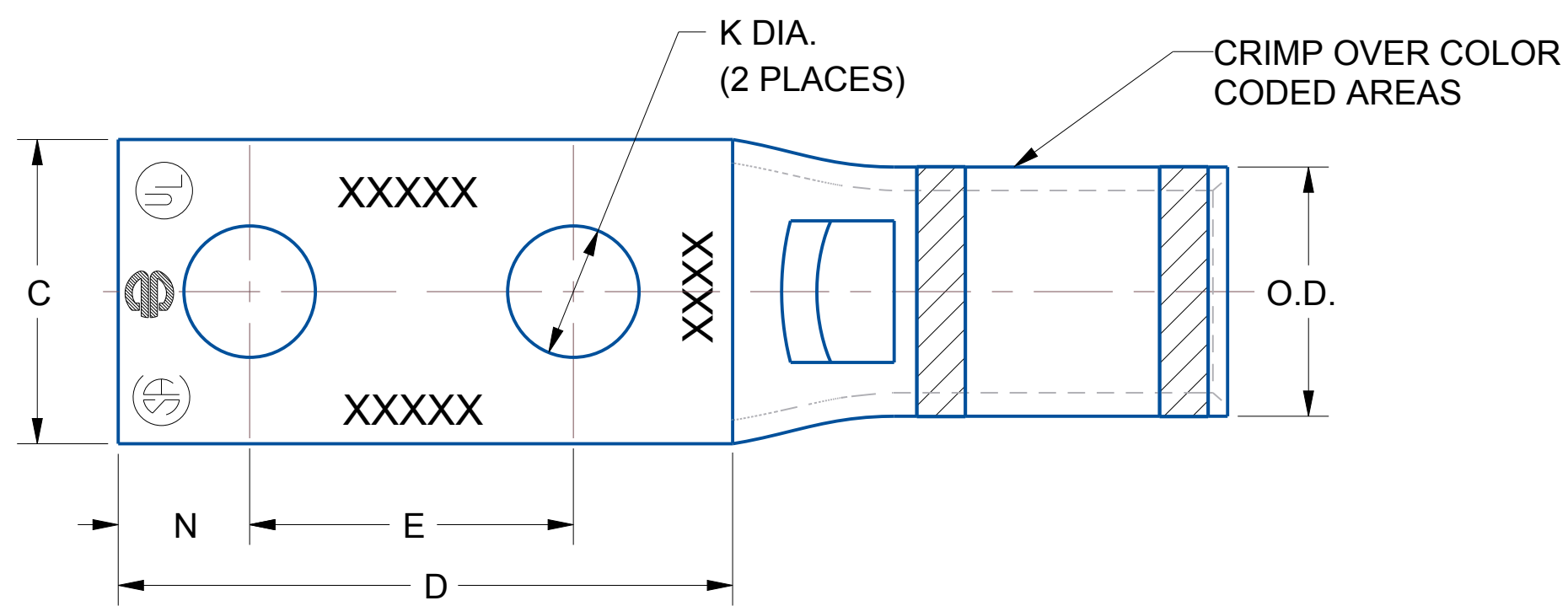


FIG. 4

TOLERANCE BLOCK							
CONNECTOR SIZE	TOLERANCES						
	B	C	E	K DIA.	L	N	O.D.
-8C THRU -25	± .06	± .04	± .02	± .02	± .09	± .03	± .01
-26 THRU -34	± .08	± .04	± .02	± .02	± .12	± .03	± .01
-35 AND UP	± .09	± .06	± .02	± .02	± .15	± .06	± .01

- NOTES:
- MATERIAL: COPPER TUBING.
  - FINISH: TIN PLATED.
  - CAT NO. PUADP-1 ADAPTOR IS REQUIRED TO USE 'U' DIES IN Y46 SERIES TOOLS.
  - DIMENSIONS IN BRACKETS [ ] ARE IN MILLIMETERS ROUNDED OFF TO THE NEAREST MILLIMETER, UNLESS OTHERWISE NOTED, AND ARE FOR REFERENCE ONLY.
  - CAT. NO. PT6515 ADAPTER IS REQUIRED TO USE "U" TYPE DIES IN Y45 TOOLS.

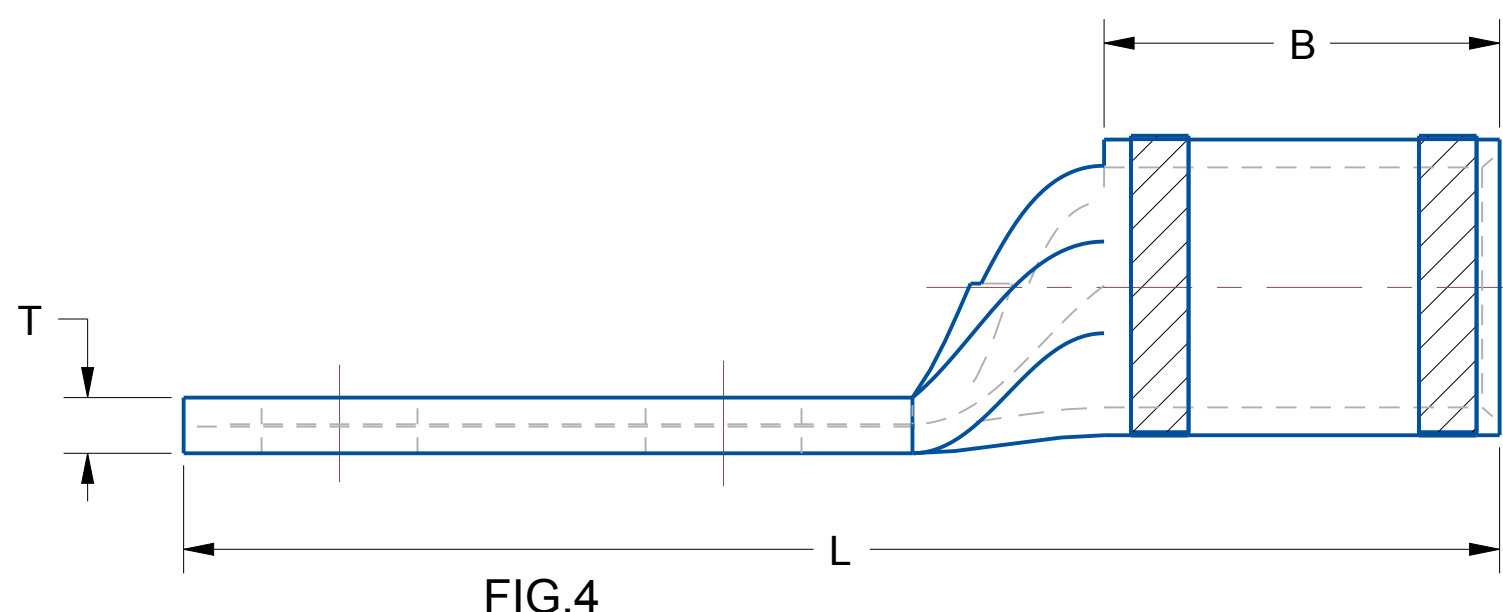
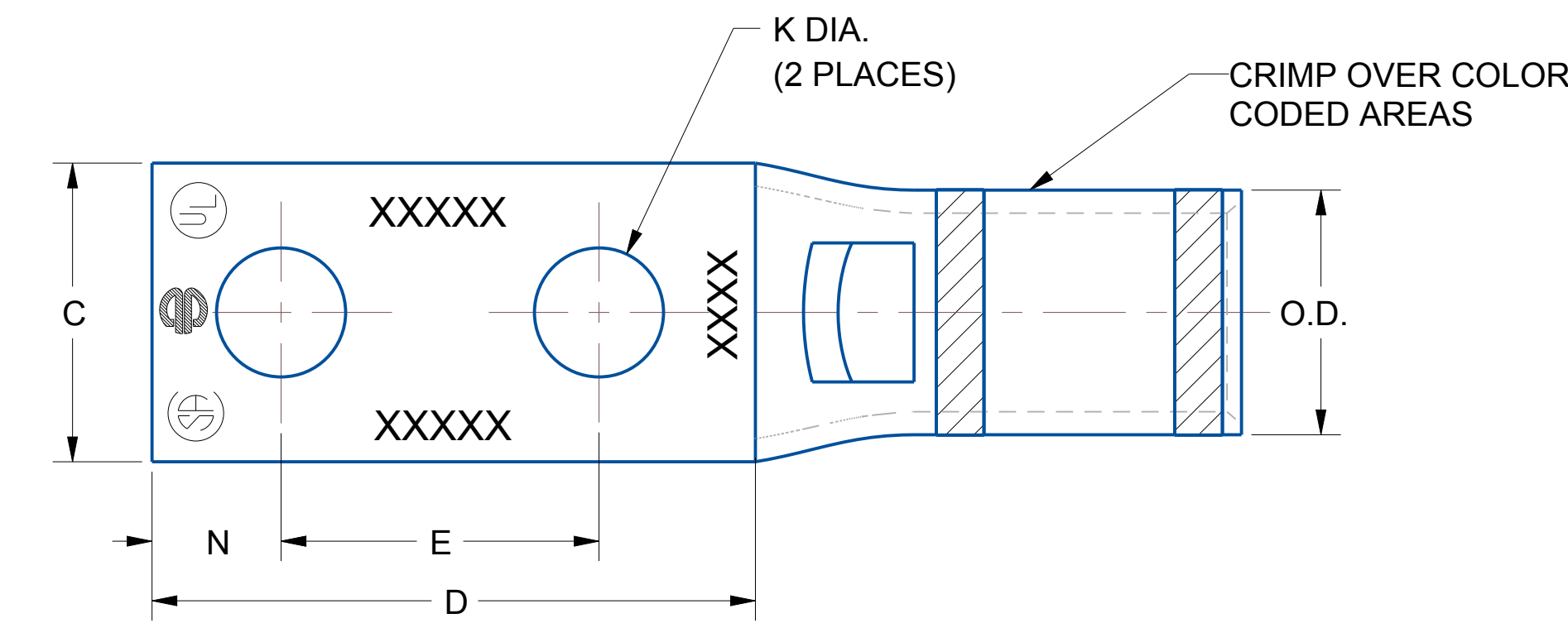
TO ORDER BURNDY® PRODUCTS CALL		HYLUG™ COPPER (NARROW TONGUE)	
UNITED STATES 1-800-346-4175 (LONDONDERRY, NH)		ITEM NO: N/A	CAT. NO: YA-L-NT-(TABLE)
CANADA: 1-800-361-6975 (QUEBEC) 1-800-387-6487 (ALL OTHER PROVINCES)		DRAWN BY: AUGUSTIN.S 07/03/10	CHECKER: --
FOR PRODUCT INFO: <a href="http://www.burndy.com">http://www.burndy.com</a>		DSN APPVL: J MICHAUD 06/11/11	MFG APPVL: T THRELFALL 06/23/11
		QA APPVL: T WATTS 06/13/11	MKT APPVL: J SYLVIA 06/13/11
		PROD FAM: CM&R COMPRESSION	SCALE: 3:1
		PROJECT #: --	SIZE
		DOCUMENT TYPE: Sales	30003952
		REL LEVEL: In Work	D SHEET 7 OF 12

REV	DATE	DESCRIPTION	ECO	BY	CHK.
R	2018-03-12 23:00:00 EST	CATALOG #YAV28L2ENT38FX ADDED TO SHEET 5	48687	PP	VS

REV: PE0200

DRAWING NO. 30003952	7	6	5	4	3	2	1	CATALOG NUMBER	FIG. NO.	CONDUCTOR		STUD HOLE SIZE	DIMENSIONS											INSTALLATION TOOLING										WIRE STRIP LENGTH	
										AWG	MM <sup>2</sup>		O.D.	B	C	D MIN.	E	K DIA.	L	N	T	DIELESS (# OF CRIMPS)	MECHANICAL		HYDRAULIC								COLOR CODE		DIE INDEX
																							MD6, OUR840, MD7-34R	BCT500HS, Y500CTHS	Y35, Y39, Y750 PAT750	Y46 PAT46	Y45	Y48	Y60						
D	YAV4CL2NT10E1FX	4	#4 AWG #4 WELD 91/24 105/24	---	#10	.38 [10]	.50 [13]	.41 [10]	1.52 [37]	1.00 [25]	.21 [5]	2.33 [59]	.25 [6]	.09 [2]	MY29-11(1) Y1MRTC(2) Y81KFT(1) Y81KFTMBH(1) PAT81KFT-18V(1)	W4CVT(1) W4CRT(1) X4CRT(1)	W4CVT(1) W4CRT(1) X4CRT(1)	U4CRT(1)	U4CRT(1)	U4CRT(1)	--	--	GRAY	8	9/16"										
YAV4CL2NT10E2FX	4	.38 [10]				.50 [13]	.41 [10]	1.52 [37]	.75 [19]	.21 [5]	2.08 [53]	.25 [6]	.09 [2]																						
YAV4CL2NT10FX	4	.38 [10]				.50 [13]	.41 [10]	1.15 [29]	.63 [16]	.21 [5]	1.95 [50]	.25 [6]	.09 [2]																						
YAV4CL2NT14FX	4	.38 [10]				.50 [13]	.45 [11]	1.26 [32]	.63 [16]	.27 [7]	2.08 [53]	.31 [8]	.09 [2]																						
C	YAV2CL2NT10FX	4	#2 AWG #2 WELD 125/24 150/24	35	#10	.46 [12]	.63 [16]	.48 [12]	1.15 [29]	.63 [16]	.21 [5]	2.14 [54]	.25 [6]	.10 [3]	MY29-11(1) Y1MRTC(2) Y81KFT(1) Y81KFTMBH(1) PAT81KFT-18V(1)	W2CVT(1) W2CRT(1) X2CRT(1)	W2CVT(1) W2CRT(1) X2CRT(1)	U2CRT(1)	U2CRT(1)	U2CRT(1)	--	--	BROWN	10	11/16"										
YAV2CL2NT14E1FX	4	.46 [12]				.63 [16]	.48 [12]	1.65 [42]	1.00 [25]	.27 [7]	2.63 [67]	.31 [8]	.10 [3]																						
YAV2CL2NT14FX	4	.46 [12]				.63 [16]	.48 [12]	1.28 [33]	.63 [16]	.27 [7]	2.26 [57]	.31 [8]	.10 [3]																						
C	YAV1CL2NT14FX	4	#1 AWG #1 WELD 175/24 225/24	---	1/4"	.51 [13]	.62 [16]	.50 [13]	1.28 [33]	.63 [16]	.27 [7]	2.28 [58]	.31 [8]	.12 [3]	MY29-11(1) Y81KFT(1) Y81KFTMBH(1) PAT81KFT-18V(1)	W1CVT(1) W1CRT-1(1) X1CRT-1(1)	W1CVT(1) W1CRT-1(1) X1CRT-1(1)	U1CRT-1(1)	U1CRT-1(1)	U1CRT-1(1)	--	--	GREEN	11	11/16"										
YAV1CL2NT516FX	4	.51 [13]				.63 [16]	.58 [15]	1.70 [43]	1.00 [25]	.33 [8]	2.72 [69]	.34 [9]	.12 [3]																						
C	YAV25L2NT14E1FX	4	1/0 AWG 1/0 WELD 275/24	50	1/4"	.56 [14]	.69 [18]	.64 [16]	1.65 [42]	1.00 [25]	.27 [7]	2.76 [70]	.31 [8]	.12 [3]	MY29-11(1) Y81KFT(1) Y81KFTMBH(1) PAT81KFT-18V(1)	W25VT(2) W25RT(2) X25RT(2)	W25VT(2) W25RT(2) X25RT(2)	U25RT(1)	U25RT(1)	U25RT(1)	--	--	PINK	12	11/16"										
YAV25L2NT14FX	4	.56 [14]				.69 [18]	.64 [16]	1.28 [33]	.63 [16]	.27 [7]	2.39 [61]	.31 [8]	.12 [3]																						
YAV25L2NT516FX	4	.56 [14]				.69 [18]	.58 [15]	1.71 [44]	1.00 [25]	.33 [8]	2.82 [72]	.34 [9]	.12 [3]																						
C	YAV26L2NT14FX	4	2/0 AWG 2/0 WELD 325/24	70	1/4"	.63 [16]	.81 [21]	.76 [19]	1.28 [33]	.63 [16]	.27 [7]	2.56 [65]	.31 [8]	.13 [3]	MY29-11(1) Y644HS(1) Y81KFT(1) Y81KFTMBH(1) PAT81KFT-18V(1)	W26VT(2) W26RT(2) X26RT(2)	W26VT(2) W26RT(2) X26RT(2)	U26RT(1)	U26RT(1)	U26RT(1)	--	--	BLACK	13	13/16"										
YAV26L2NT516FX	4	.63 [16]				.81 [21]	.58 [15]	1.71 [44]	1.00 [25]	.33 [8]	2.99 [76]	.34 [9]	.13 [3]																						
YAV26L2NT38FX	4	.63 [16]				.81 [21]	.63 [16]	1.84 [47]	1.00 [25]	.41 [10]	3.23 [82]	.41 [10]	.13 [9]																						
C	YAV28L2ENT14FX	4	4/0 AWG 4/0 WELD 550/24	---	1/4"	.77 [20]	1.03 [19]	.76 [19]	1.28 [33]	.63 [16]	.27 [7]	2.86 [73]	.31 [8]	.15 [4]	MY29-11(1) Y644HS(1) Y81KFT(1) Y81KFTMBH(1) PAT81KFT-18V(1)	W28VT(2) W28RT(2) X28RT(3)	W28VT(2) W28RT(2) X28RT(3)	U28RT(1)	U28RT(1)	U28RT(1)	C28R(1)	L28RT(1)	PURPLE	15	1-1/16"										
YAV28L2NT38FX	4	.77 [20]				1.03 [19]	.94 [24]	1.84 [47]	1.00 [25]	.40 [10]	3.43 [87]	.41 [10]	.15 [4]																						

TOLERANCE BLOCK							
CONNECTOR SIZE	TOLERANCES						
	B	C	E	K DIA.	L	N	O.D.
-8C THRU -25	± .06	± .04	± .02	± .02	± .09	± .03	± .01
-26 THRU -34	± .08	± .04	± .02	± .02	± .12	± .03	± .01
-35 AND UP	± .09	± .06	± .02	± .02	± .15	± .06	± .01



- NOTES:
- MATERIAL: COPPER TUBING.
  - FINISH: TIN PLATED.
  - CAT NO. PUADP-1 ADAPTOR IS REQUIRED TO USE 'U' DIES IN Y46 SERIES TOOLS.
  - DIMENSIONS IN BRACKETS [ ] ARE IN MILLIMETERS ROUNDED OFF TO THE NEAREST MILLIMETER, UNLESS OTHERWISE NOTED, AND ARE FOR REFERENCE ONLY.
  - CAT. NO. PT6515 ADAPTER IS REQUIRED TO USE "U" TYPE DIES IN Y45 TOOLS.

TO ORDER BURNDY® PRODUCTS CALL		HYLUG™ COPPER (NARROW TONGUE)	
UNITED STATES 1-800-346-4175 (LONDONDERRY, NH)		ITEM NO: N/A	
CANADA: 1-800-361-6975 (QUEBEC) 1-800-387-6487 (ALL OTHER PROVINCES)		CAT. NO: YA-L-NT-(TABLE)	
FOR PRODUCT INFO: <a href="http://www.burndy.com">http://www.burndy.com</a>		DRAWN BY: AUGUSTIN.S 07/03/10	
		CHECKER: --	
		DSN APPVL: J MICHAUD 06/11/11	
		MFG APPVL: T THRELFALL 06/23/11	
		QA APPVL: T WATTS 06/13/11	
		MKT APPVL: J SYLVIA 06/13/11	
		SCALE: 3:1	
		PROD FAM: CM&R COMPRESSION	
		DRAWING NO	
		PROJECT #: --	
		SIZE	
		DOCUMENT TYPE: Sales	
		30003952	
		REL LEVEL: In Work	
		D	
		SHEET 8 OF 12	
		R	

REV: PE0200



CATALOG NUMBER	FIG. NO.	CONDUCTOR		STUD HOLE SIZE	DIMENSIONS									DIELESS (# OF CRIMPS)	INSTALLATION TOOLING								WIRE STRIP LENGTH	
		AWG	MM <sup>2</sup>		O.D.	B	C	D MIN.	E	K DIA.	L	N	T		MECHANICAL		HYDRAULIC				COLOR CODE	DIE INDEX		
															MD6, OUR840, MD7-34R	BCT500HS, Y500CTS	Y35, Y39, Y750, PAT750	Y46 PAT46 $\triangleleft$ 3	Y45 $\triangleleft$ 5	Y48				Y60
YAZV4C2NT14E2FX	5	#4 AWG #4 WELD 91/24 105/24	---	1/4"	.38 [10]	1.25 [32]	.44 [11]	1.40 [36]	.75 [19]	.27 [7]	2.95 [75]	.31 [8]	.09 [2]	Y1MRTC(4) MY29-11(2) Y644HS(1) Y81KFT(1) Y81KFTMBH(1) PAT81KFT-18V(1)	W4CVT(2) W4CRT(2) X4CRT(2)	W4CVT(2) W4CRT(2) X4CRT(2)	U4CRT(2)	U4CRT(2)	U4CRT(2)	--	--	GRAY	8	1-5/16"
YAZV2C2NT14E2FX	5	#2 AWG #2 WELD 125/24 150/24	35	1/4"	.46 [12]	1.38 [35]	.50 [13]	1.40 [36]	.75 [19]	.27 [7]	3.14 [80]	.31 [8]	.10 [3]	Y1MRTC(4) MY29-11(4) Y644HS(1) Y81KFT(1) Y81KFTMBH(1) PAT81KFT-18V(1)	W2CVT(2) W2CRT(2) X2CRT(2)	W2CVT(2) W2CRT(2) X2CRT(2)	U2CRT(2)	U2CRT(2)	U2CRT(2)	--	--	BROWN	10	1-7/16"
YAZV282NT38FX	5	4/0 AWG 4/0 WELD 550/24	---	3/8"	.77 [20]	1.62 [41]	.94 [24]	1.84 [47]	1.00 [25]	.40 [10]	3.96 [101]	.41 [10]	.17 [20]	MY29-11(2) Y644HS(1) Y81KFT(2) Y81KFTMBH(2) PAT81KFT-18V(2)	W28VT(4) W28RT(4) X28RT(6)	W28VT(4) W28RT(4) X28RT(6)	U28RT(2)	U28RT(2)	U28RT(2)	C28R(1)	L28RT(1)	PURPLE	15	1-11/16"
YAZV292NT516FX	5	4/0 FLEX CLASS I,K,M	---	5/16"	.80 [20]	2.00 [51]	.96 [24]	1.71 [44]	1.00 [25]	.33 [8]	4.28 [109]	.34 [9]	.16 [4]	Y644HS(1) Y81KFT(2) Y81KFTMBH(2) PAT81KFT-18V(2)	W29VT(4) X29RT(8)	W29RT(4) W29VT(4) X29RT(8)	U29RT(2)	U29RT(2)	U29RT(2)	C29R(1)	L29RT(1)	YELLOW	16	2-1/16"
YAZ342NT38FX	5	373.7 kcmil 925/24 350 FLEX	240	3/8"	1.06 [27]	2.25 [57]	.96 [24]	1.84 [47]	1.00 [25]	.40 [10]	4.85 [123]	.41 [10]	.23 [6]	Y644HS(1) Y81KFT(2) Y81KFTMBH(2) PAT81KFT-18V(2)	W32VT(4)	W32VT(4) W32RT(4)	U32RT(4)	U32RT(4)	U32RT(4)	C32R(2)	L32RT(2)	BLUE	19	2-5/16"
YAZ382ENT38FX	5	535.3 kcmil 1325/24 500 FLEX	300	3/8"	1.25 [32]	2.81 [71]	1.46 [37]	2.02 [51]	1.00 [25]	.41 [10]	5.72 [145]	.50 [13]	.27 [7]	Y644HS(1) Y81KFT(2) Y81KFTMBH(2) PAT81KFT-18V(2)	----	----	U38XRT(4)	U38XRT(4)	U38XRT(4)	C38R(2)	L38RT(2)	PINK	L99	2-7/8"

TOLERANCE BLOCK							
CONNECTOR SIZE	TOLERANCES						
	B	C	E	K DIA.	L	N	O.D.
-8C THRU -25	± .06	± .04	± .02	± .02	± .09	± .03	± .01
-26 THRU -34	± .08	± .04	± .02	± .02	± .12	± .03	± .01
-35 AND UP	± .09	± .06	± .02	± .02	± .15	± .06	± .01

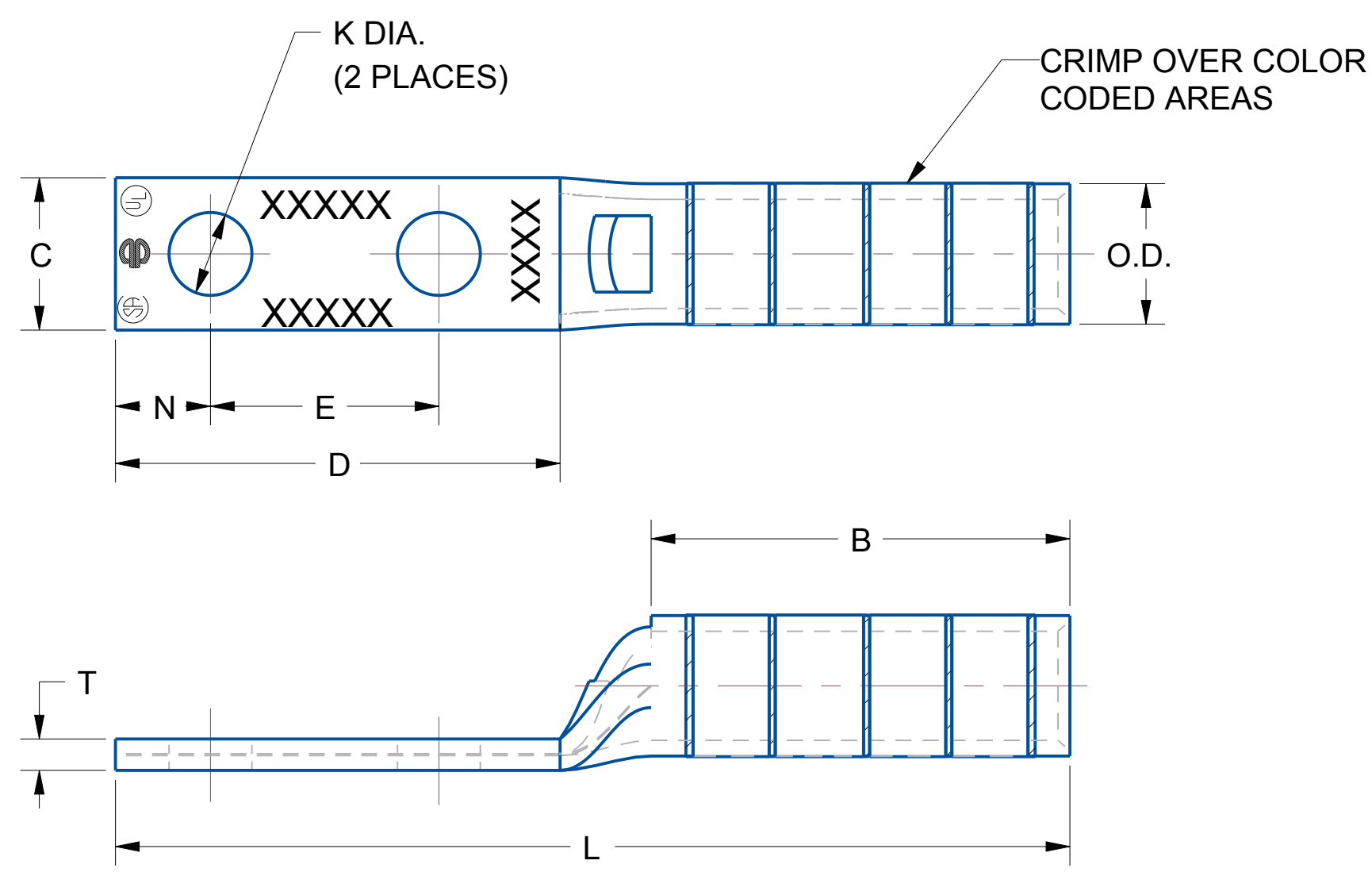


FIG.5

- NOTES:
- MATERIAL: COPPER TUBING.
  - FINISH: TIN PLATED.
  - CAT NO. PUADP-1 ADAPTOR IS REQUIRED TO USE 'U' DIES IN Y46 SERIES TOOLS.
  - DIMENSIONS IN BRACKETS [ ] ARE IN MILLIMETERS ROUNDED OFF TO THE NEAREST MILLIMETER, UNLESS OTHERWISE NOTED, AND ARE FOR REFERENCE ONLY.
  - CAT. NO. PT6515 ADAPTER IS REQUIRED TO USE "U" TYPE DIES IN Y45 TOOLS.

TO ORDER BURNDY® PRODUCTS CALL		HYLUG™ COPPER (NARROW TONGUE)	
UNITED STATES 1-800-346-4175 (LONDONDERRY, NH)		ITEM NO: N/A	CAT. NO: YA-L-NT-(TABLE)
CANADA: 1-800-361-6975 (QUEBEC) 1-800-387-6487 (ALL OTHER PROVINCES)		DRAWN BY: AUGUSTIN.S 07/03/10	CHECKER: --
FOR PRODUCT INFO: <a href="http://www.burndy.com">http://www.burndy.com</a>		DSN APPVL: J MICHAUD 06/11/11	MFG APPVL: T THRELFALL 06/23/11
		QA APPVL: T WATTS 06/13/11	MKT APPVL: J SYLVIA 06/13/11
		PROD FAM: CM&R COMPRESSION	DRAWING NO: 30003952
		PROJECT #: --	SCALE: 3:1
		DOCUMENT TYPE: Sales	REV: R
		REL LEVEL: In Work	SHEET 9 OF 12

REV: PE0200

DRAWING NO. 30003952	7	6	5	4	3	2	1	CATALOG NUMBER	FIG. NO.	CONDUCTOR		STUD HOLE SIZE	DIMENSIONS							INSTALLATION TOOLING								WIRE STRIP LENGTH					
										AWG	MM <sup>2</sup>		O.D.	B	C	D MIN.	E	K DIA.	L	N	T	DIELESS (# OF CRIMPS)	MECHANICAL		HYDRAULIC						COLOR CODE	DIE INDEX	
																							MD6, OUR840, MD7-34R	BCT500HS, Y500CTHS	Y35, Y39, Y750, PAT750	Y46 PAT46 $\triangleleft$ 3	Y45 $\triangleleft$ 5		Y48	Y60			
YAZ382NNTFX	5	535.3 kcmil 1325/24 500 FLEX	300	1/2"	1.25 [32]	2.81 [71]	1.62 [41]	3.02 [77]	1.75 [44]	.56 [14]	6.72 [171]	.62 [16]	.27 [7]	Y644HS(1) Y81KFT(2) Y81KFTMBH(2) PAT81KFT-18V(2)	----	----	U38XRT(4)	U38XRT(4)	U38XRT(4)	--	L38RT(2)	PINK	L99	2-7/8"									
YAZ382NT38FX	5	535.3 kcmil 1325/24 500 FLEX	300	3/8"	1.25 [32]	2.81 [71]	1.62 [41]	2.03 [51]	1.00 [25]	.41 [10]	5.72 [145]	.50 [13]	.27 [7]	Y644HS(1) Y81KFT(2) Y81KFTMBH(2) PAT81KFT-18V(2)	----	----	U38XRT(4)	U38XRT(4)	U38XRT(4)	--	L38RT(2)	PINK	L99	2-7/8"									
YAZ442NT38FX	5	777.7 kcmil 1925/24 750 FLEX	500	3/8"	1.50 [38]	3.00 [76]	1.62 [41]	2.03 [51]	1.00 [25]	.40 [10]	6.09 [155]	.50 [13]	.33 [8]	----	----	----	U44XRT(4)	U44XRT(4)	U44XRT(4)	C44RT(2)	L44RT(2)	YELLOW	L115	3-1/16"									

TOLERANCE BLOCK							
CONNECTOR SIZE	TOLERANCES						
	B	C	E	K DIA.	L	N	O.D.
-8C THRU -25	± .06	± .04	± .02	± .02	± .09	± .03	± .01
-26 THRU -34	± .08	± .04	± .02	± .02	± .12	± .03	± .01
-35 AND UP	± .09	± .06	± .02	± .02	± .15	± .06	± .01

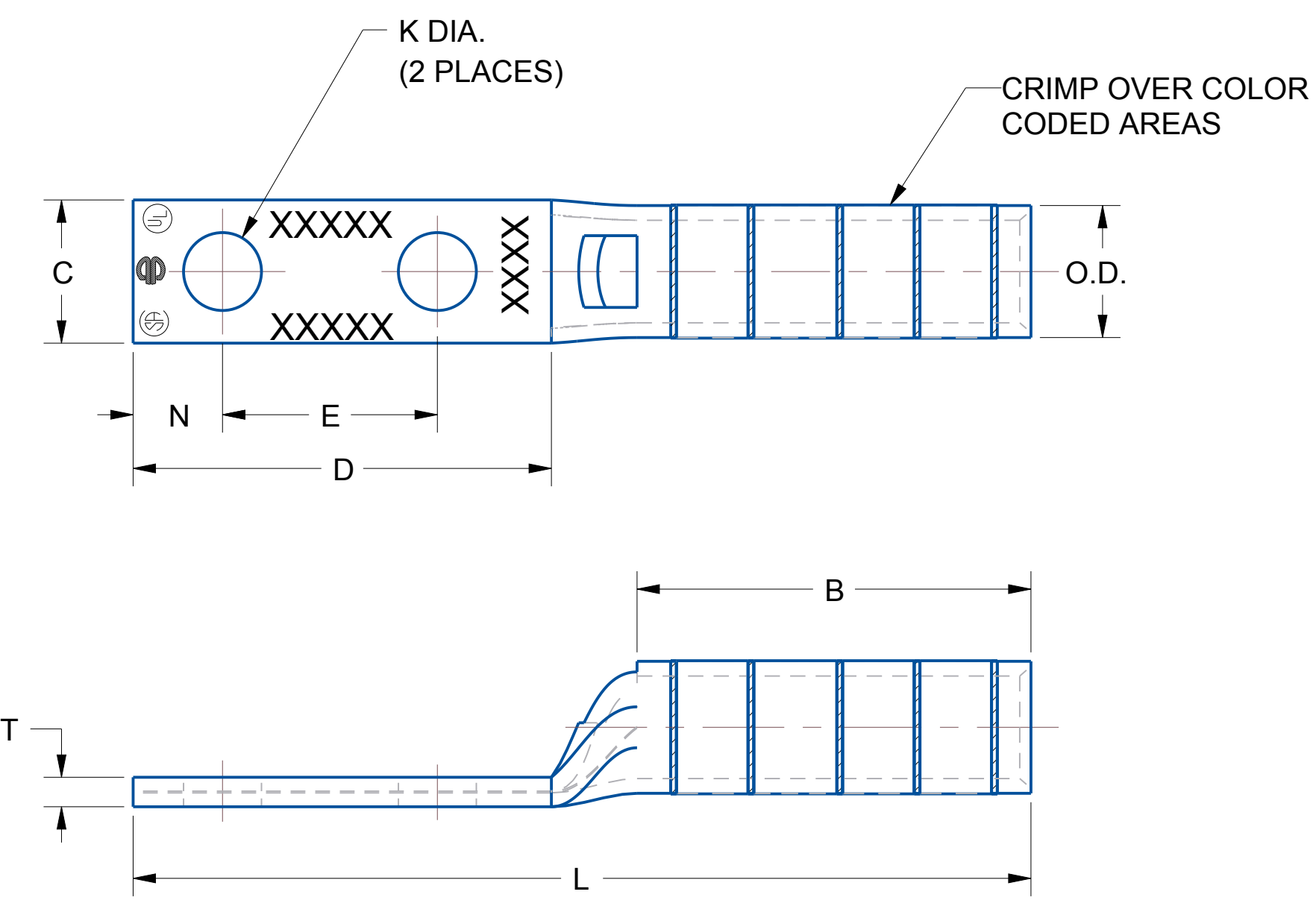


FIG.5

- NOTES:
1. MATERIAL: COPPER TUBING.
  2. FINISH: TIN PLATED.
  3. CAT NO. PUADP-1 ADAPTOR IS REQUIRED TO USE "U" DIES IN Y46 SERIES TOOLS.
  4. DIMENSIONS IN BRACKETS [ ] ARE IN MILLIMETERS ROUNDED OFF TO THE NEAREST MILLIMETER, UNLESS OTHERWISE NOTED, AND ARE FOR REFERENCE ONLY.
  5. CAT. NO. PT6515 ADAPTER IS REQUIRED TO USE "U" TYPE DIES IN Y45 TOOLS.

TO ORDER BURNDY® PRODUCTS CALL		HYLUG™ COPPER (NARROW TONGUE)	
1-800-346-4175 (LONDONDERRY, NH)		ITEM NO:	N/A
CANADA:		CAT. NO:	YA-L-NT-(TABLE)
1-800-361-6975 (QUEBEC)		DRAWN BY:	AUGUSTIN.S 07/03/10
1-800-387-6487 (ALL OTHER PROVINCES)		CHECKER:	--
FOR PRODUCT INFO: <a href="http://www.burndy.com">http://www.burndy.com</a>		DSN APPVL:	J MICHAUD 06/11/11
		MFG APPVL:	T THRELFALL 06/23/11
		QA APPVL:	T WATTS 06/13/11
		MKT APPVL:	J SYLVIA 06/13/11
		PROD FAM:	CM&R COMPRESSION
		PROJECT #:	--
		DOCUMENT TYPE:	Sales
		REL LEVEL:	In Work
		SCALE:	3:1
		DRAWING NO:	30003952
		REV:	R

REV	DATE	DESCRIPTION	ECO	BY	CHK.
R	2018-03-12 23:00:00 EST	CATALOG #YAV28LENT38FX ADDED TO SHEET 5	48687	PP	VS

REV: PE0200

CATALOG NUMBER	FIG. NO.	CONDUCTOR		STUD HOLE SIZE	DIMENSIONS									INSTALLATION TOOLING								WIRE STRIP LENGTH		
		AWG	MM <sup>2</sup>		O.D.	B	C	D MIN.	E	K DIA.	L	N	T	MECHANICAL		HYDRAULIC							COLOR CODE	DIE INDEX
														MD6, OUR840, MD7-34R	BCT500HS, Y500CTHS	Y35, Y39, Y750, PAT750	Y46 PAT46 $\triangleleft$ 3	Y45 $\triangleleft$ 5	Y48	Y60				
YAZ442NNT	6	1000 kcmil	500	1/2"	1.50 [38]	3.00 [76]	1.62 [41]	3.08 [78]	1.75 [44]	.56 [14]	7.08 [180]	.65 [17]	.33 [8]	----	----	----	----	P44RT(4)	S44RT(4)	C44R(2)	L44RT(2)	WHITE	27	3-1/16"

TOLERANCE BLOCK							
CONNECTOR SIZE	TOLERANCES						
	B	C	E	K DIA.	L	N	O.D.
-8C THRU -25	± .06	± .04	± .02	± .02	± .09	± .03	± .01
-26 THRU -34	± .08	± .04	± .02	± .02	± .12	± .03	± .01
-35 AND UP	± .09	± .06	± .02	± .02	± .15	± .06	± .01

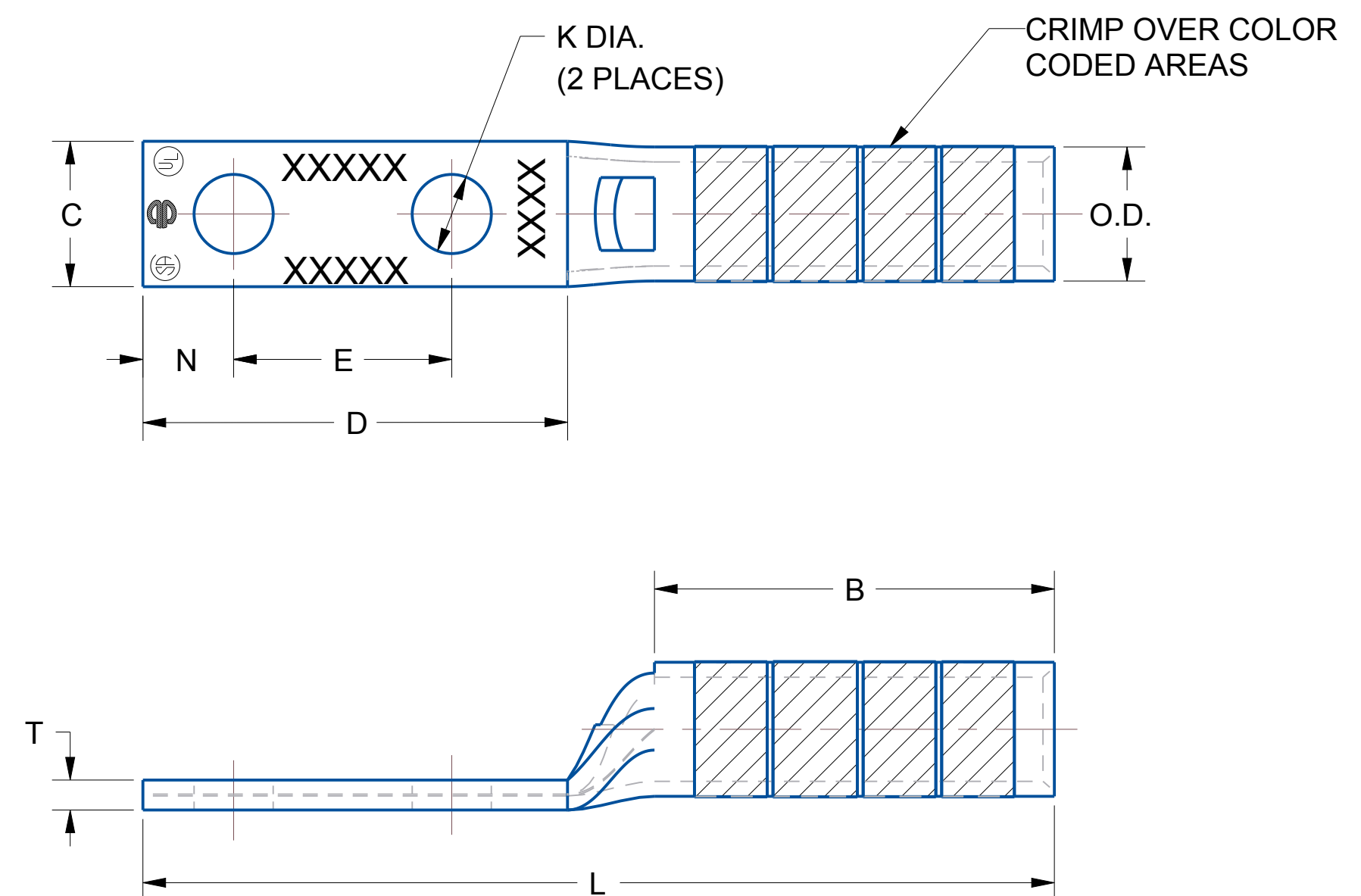


FIG.6

- NOTES:
1. MATERIAL: COPPER TUBING.
  2. FINISH: TIN PLATED.
  3. CAT NO. PUADP-1 ADAPTOR IS REQUIRED TO USE 'U' DIES IN Y46 SERIES TOOLS.
  4. DIMENSIONS IN BRACKETS [ ] ARE IN MILLIMETERS ROUNDED OFF TO THE NEAREST MILLIMETER, UNLESS OTHERWISE NOTED, AND ARE FOR REFERENCE ONLY.
  5. CAT. NO. PT6515 ADAPTER IS REQUIRED TO USE "U" TYPE DIES IN Y45 TOOLS.

TO ORDER BURNDY® PRODUCTS CALL		HYLUG™ COPPER (NARROW TONGUE)	
1-800-346-4175 (LONDONDERRY, NH)		ITEM NO: N/A	CAT. NO: YA-L-NT-(TABLE)
CANADA: 1-800-361-6975 (QUEBEC) 1-800-387-6487 (ALL OTHER PROVINCES)		DRAWN BY: AUGUSTIN.S 07/03/10	CHECKER: --
FOR PRODUCT INFO: <a href="http://www.burndy.com">http://www.burndy.com</a>		DSN APPVL: J MICHAUD 06/11/11	MFG APPVL: T THRELFALL 06/23/11
		QA APPVL: T WATTS 06/13/11	MKT APPVL: J SYLVIA 06/13/11
		PROD FAM: CM&R COMPRESSION	DRAWING NO: 30003952
		PROJECT #: --	SCALE: 2:1
		DOCUMENT TYPE: Sales	REV: R
		REL LEVEL: In Work	SHEET 11 OF 12

REV	DATE	DESCRIPTION	ECO	BY	CHK.
R	2018-03-12 23:00:00 EST	CATALOG #YAV28LENT38FX ADDED TO SHEET 5	48687	PP	VS

REV: PE0200

CATALOG NUMBER	FIG. NO.	CONDUCTOR		STUD HOLE SIZE	DIMENSIONS									DIELESS (# OF CRIMPS)	INSTALLATION TOOLING								WIRE STRIP LENGTH	
		AWG	MM <sup>2</sup>		O.D.	B	C	D MIN.	H REF.	K DIA.	L	N	T		MECHANICAL		HYDRAULIC							
															MD6, OUR840, MD7-34R	BCT500HS, Y500CTHS	Y35, Y39, Y750, PAT750	Y46 PAT46 $\triangleleft$ 3	Y45 $\triangleleft$ 5	Y48	Y60	COLOR CODE		DIE INDEX
YA32LNT3890	1	400 kcmil	--	3/8" [M10]	.95 [24]	1.19 [30]	.96 [24]	.85 [26]	2.19 [56]	.41 [10]	1.45 [37]	.41 [10]	.19 [5]	Y644HS (1) Y81KFT(2) Y81KFTMBH (2) PAT81KFT-18V (2)	W32VT(4)	----	U32RT(2)	U32RT(2)	U32RT(2)	C32R(1)	L32RT(1)	BLUE	19 OR 470	1-1/4"

TOLERANCE BLOCK							
CONNECTOR SIZE	TOLERANCES						
	B	C	E	K DIA.	L	N	O.D.
-8C THRU -25	± .06	± .04	± .02	± .02	± .09	± .03	± .01
-26 THRU -34	± .08	± .04	± .02	± .02	± .12	± .03	± .01
-35 AND UP	± .09	± .06	± .02	± .02	± .15	± .06	± .01

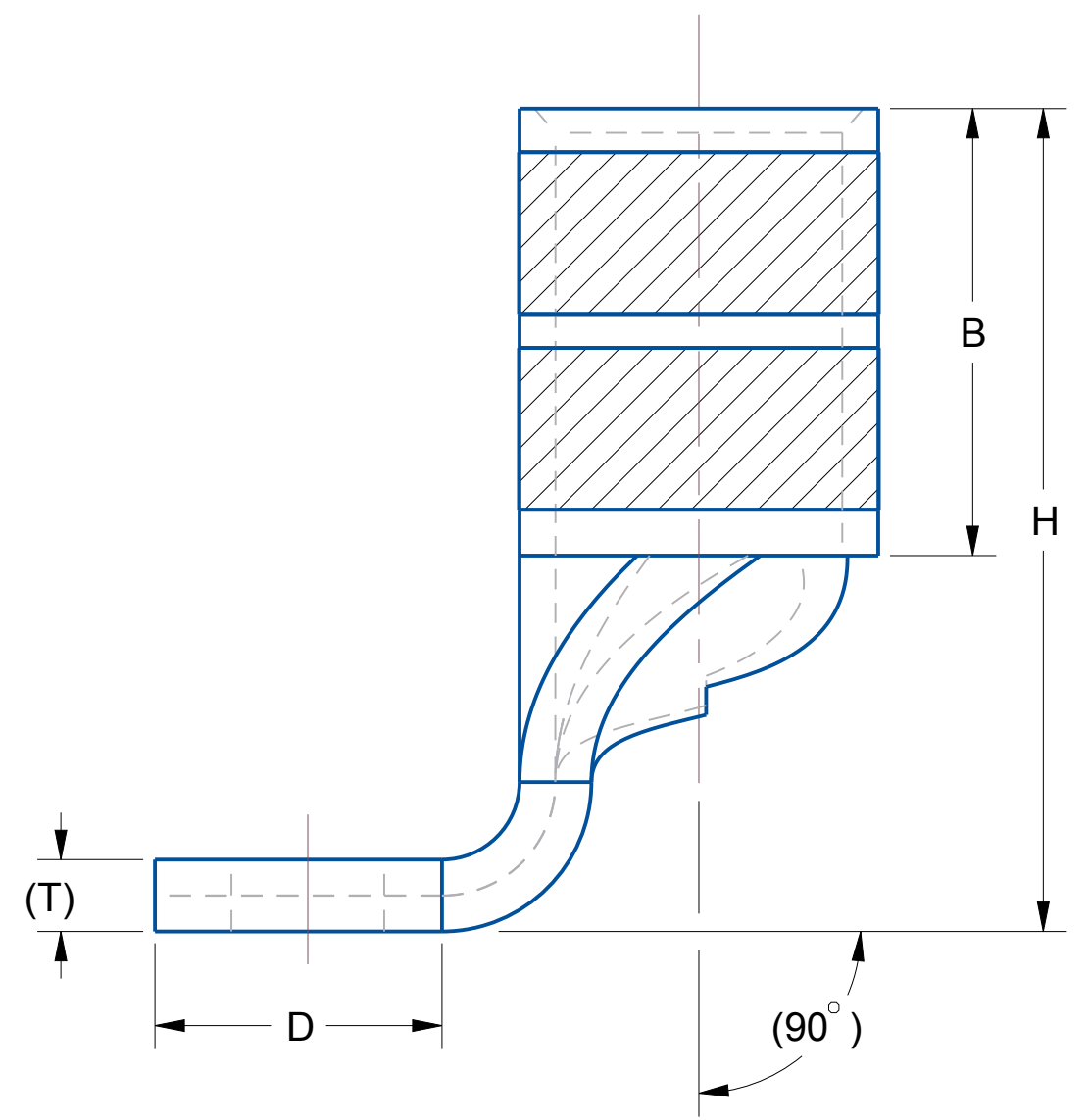
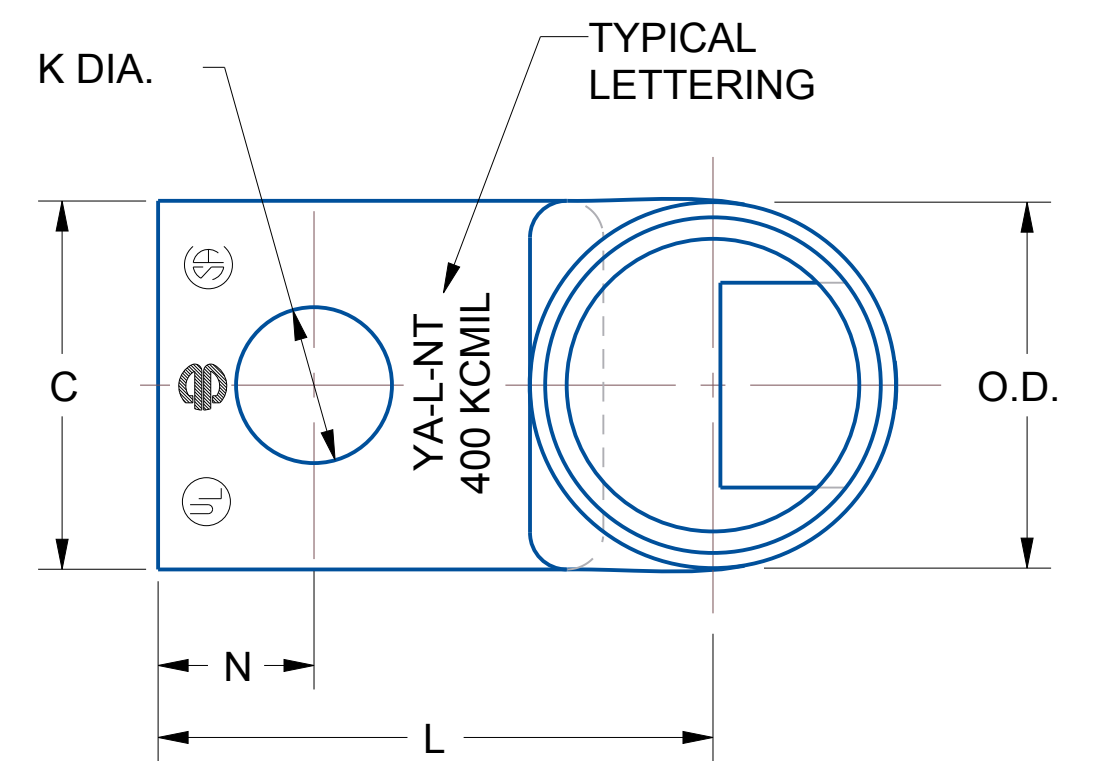


FIG. 1.

- NOTES:
1. MATERIAL: COPPER TUBING.
  2. FINISH: TIN PLATED.
  3. CAT NO. PUADP-1 ADAPTOR IS REQUIRED TO USE 'U' DIES IN Y46 SERIES TOOLS.
  4. DIMENSIONS IN BRACKETS [ ] ARE IN MILLIMETERS ROUNDED OFF TO THE NEAREST MILLIMETER, UNLESS OTHERWISE NOTED, AND ARE FOR REFERENCE ONLY.
  5. CAT. NO. PT6515 ADAPTER IS REQUIRED TO USE "U" TYPE DIES IN Y45 TOOLS.

TO ORDER BURNDY® PRODUCTS CALL		HYLUG™ COPPER (NARROW TONGUE)	
1-800-346-4175 (LONDONDERRY, NH)		N/A	
CANADA:		CAT. NO: YA-L-NT-(TABLE)	
1-800-361-6975 (QUEBEC)		DRAWN BY: AUGUSTIN.S 07/03/10	
1-800-387-6487 (ALL OTHER PROVINCES)		CHECKER: --	
FOR PRODUCT INFO: <a href="http://www.burndy.com">http://www.burndy.com</a>		DSN APPVL: J MICHAUD 06/11/11	
		MFG APPVL: T THRELFALL 06/23/11	
		QA APPVL: T WATTS 06/13/11	
		MKT APPVL: J SYLVIA 06/13/11	
		SCALE: 2:1	
		PROD FAM: CM&R COMPRESSION	
		DRAWING NO	
		PROJECT #: --	
		SIZE	
		30003952	
		DOCUMENT TYPE: Sales	
		REL LEVEL: In Work	
		D	
		SHEET 12 OF 12	
		R	

REV	DATE	DESCRIPTION	ECO	BY	CHK.
R	2018-03-12 23:00:00 EST	CATALOG #YAV28LENT38FX ADDED TO SHEET 5	48687	PP	VS

REV: PE0200