

BURNDY STATIC DISCHARGE REELS

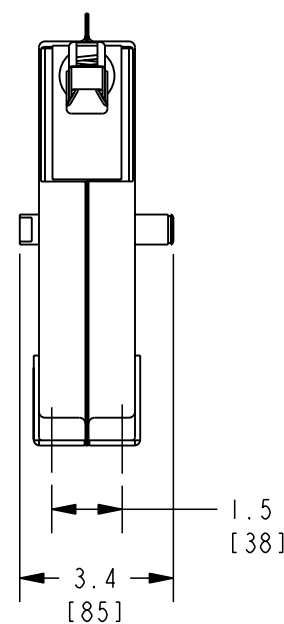
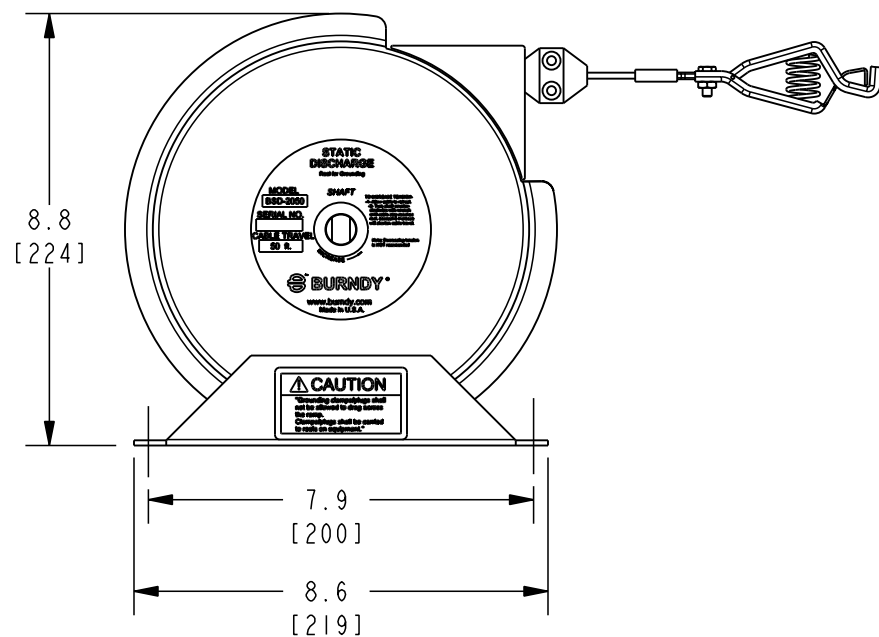
CATALOG NUMBER	ITEM NUMBER	LENGTH OF CABLE	# OF JAW TYPE GROUNDING CLAMPS	WEIGHT COMPLETE
BSD2050	30001840	50 FEET	1	12 lbs. 5.4 kg
BSD2050N	30001841	50 FEET NYLON COVERED	1	12 lbs. 5.4 kg
BSD2050Y	30001842	35 FT PLUS 15 FT FOR "Y"	2	13 lbs. 5.9 kg

FEATURES AND BENEFITS:

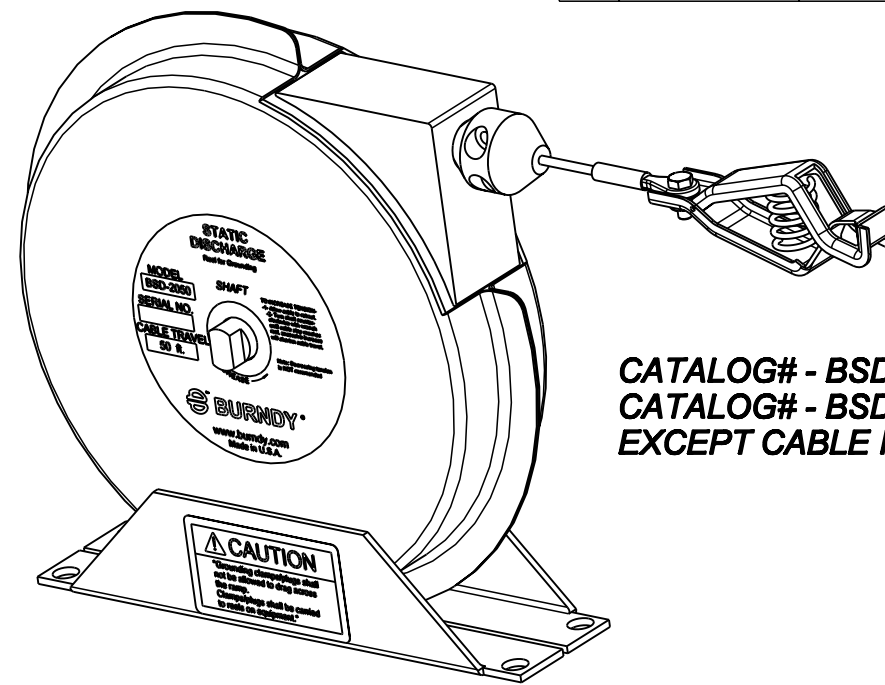
- AUTOMATIC "E-Z PULL"™ REWINDING
- RUGGED STEEL CONSTRUCTION
- COMPACT ENCLOSED DESIGN
- POSITIVE RATCHET LOCK
- LOCK ON/LOCK OFF SWITCH
- STEEL CABLE INSTALLED.
- 100 AMP UNIVERSAL JAW-TYPE GROUNDING CLAMP
- RED BAKED-ON FINISH
- STATIC DISCHARGE REELS ARE SUPPLIED COMPLETE WITH 3/32" STEEL AIRCRAFT CABLE.
- CATALOG # BSD-2050N IS THE SAME AS CATALOG# BSD-2050 EXCEPT THE SUPPLIED CABLE IS NYLON COVERED

NOTES:

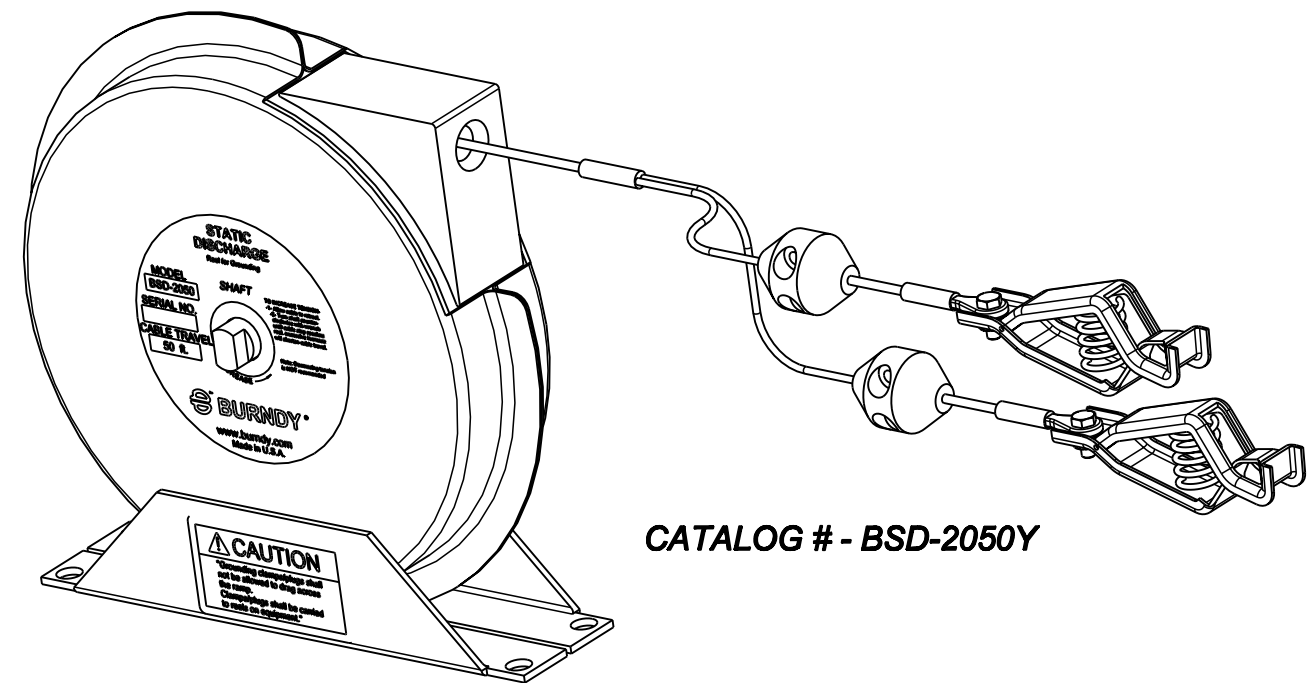
1. DIMENSIONS IN BRACKETS [] ARE IN MILLIMETERS ROUNDED OFF TO THE NEAREST MILLIMETER, UNLESS OTHERWISE NOTED, AND ARE FOR REFERENCE ONLY.



REV.	DATE	DESCRIPTION	ECO	BY	C'H'K.
B	3/7/2011 3:28:00 PM	CORRECTED TYPO "AIRCRAFT CABLE"	23678	ATM	ATM



CATALOG# - BSD-2050
CATALOG# - BSD-2050N (SAME AS CAT# BSD-2050 EXCEPT CABLE IS NYLON COVERED)



CATALOG # - BSD-2050Y

REV: PE0200

TO ORDER BURNDY® PRODUCTS CALL
 UNITED STATES:
 1-800-346-4175 (LONDONDERRY, NH)
 CANADA:
 1-800-361-6975 (QUEBEC)
 1-800-387-6487 (ALL OTHER PROVINCES)
 FOR PRODUCT INFO: <http://www.burndy.com>

STATIC DISCHARGE REELS			
ITEM NO: SEE TABLE			
CAT. NO: SEE TABLE			
DRAWN BY: A MONTMINY	06/30/2010	BURNDY	
CHECKER: A MONTMINY	08/19/2010		
DSN APPVL: A MONTMINY	08/19/2010		
MFG APPVL: P KEENAN	08/20/2010		
QA APPVL: J BRODEUR	08/20/2010	SCALE: 1:1	
MKT APPVL: P THERRIEN	08/19/2010	DRAWING NO	REV
PROJECT #: --	SIZE	30003968	B
DOCUMENT TYPE: Sales	B	SHEET 1 OF 1	
REL LEVEL: Released			