

DRAWING NO.  
30013660

4

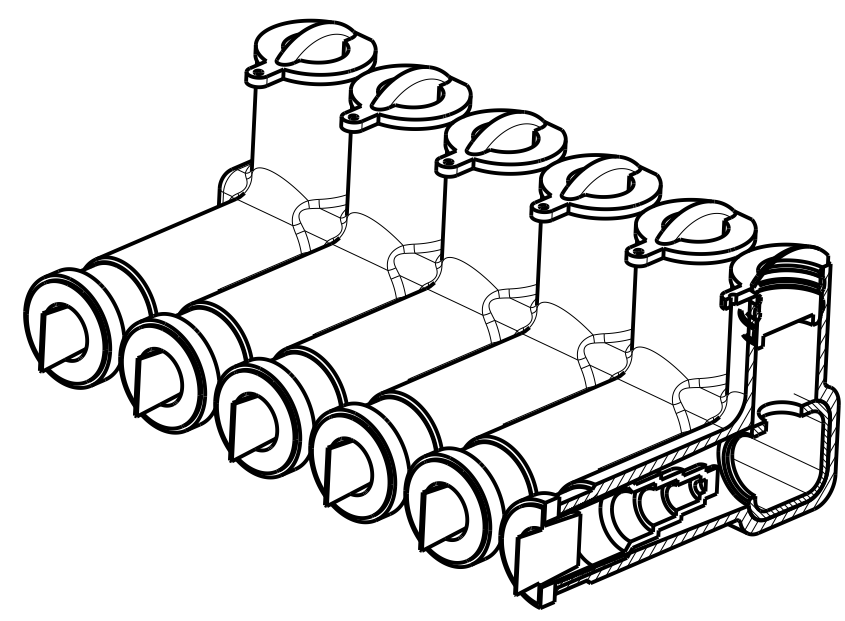
3

2

1

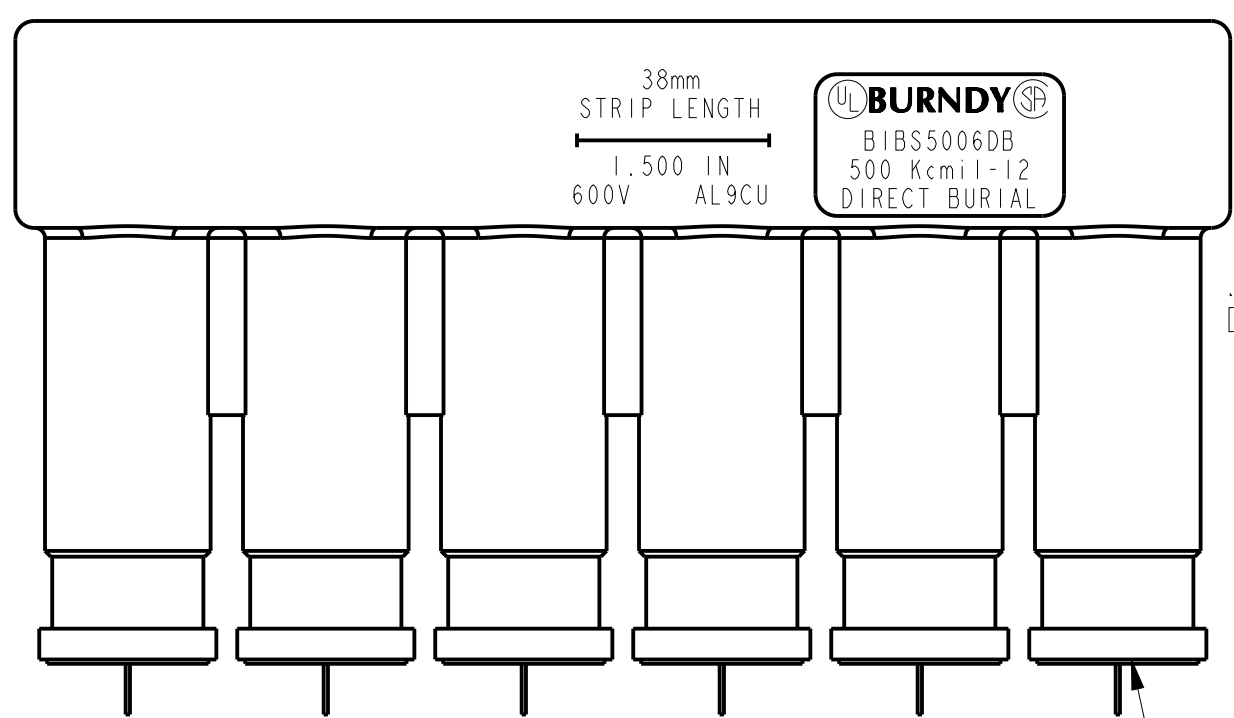
CATALOG NO.	ITEM NUMBER	WIRE RANGE	L1	H	W	L2	NUMBER OF PORTS
BIBS5003DB	30009904	500 Kcmil - 12 AWG STR 240mm <sup>2</sup> - 4mm <sup>2</sup>	4.00 [102]	3.13 [80]	4.58 [116]	4.31 [109]	3
BIBS5004DB	30009905		5.38 [137]			5.69 [145]	4
BIBS5005DB	30012512		6.75 [171]			7.06 [180]	5
BIBS5006DB	30012513		8.13 [206]			8.44 [214]	6

REV	DATE	DESCRIPTION	ECO	BY	C'K.
E	03/18/2014 12:00:00 PM	UPDATED AS PER MARKUP	35258	BSB	AD

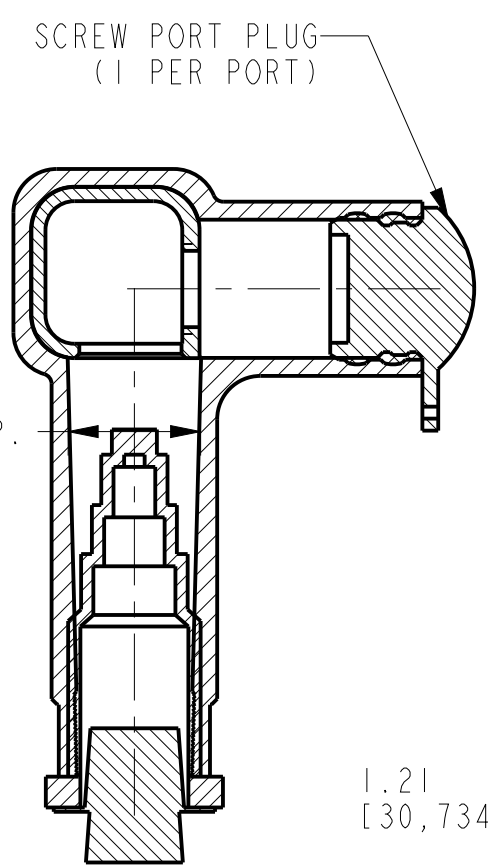


SECTION A-A

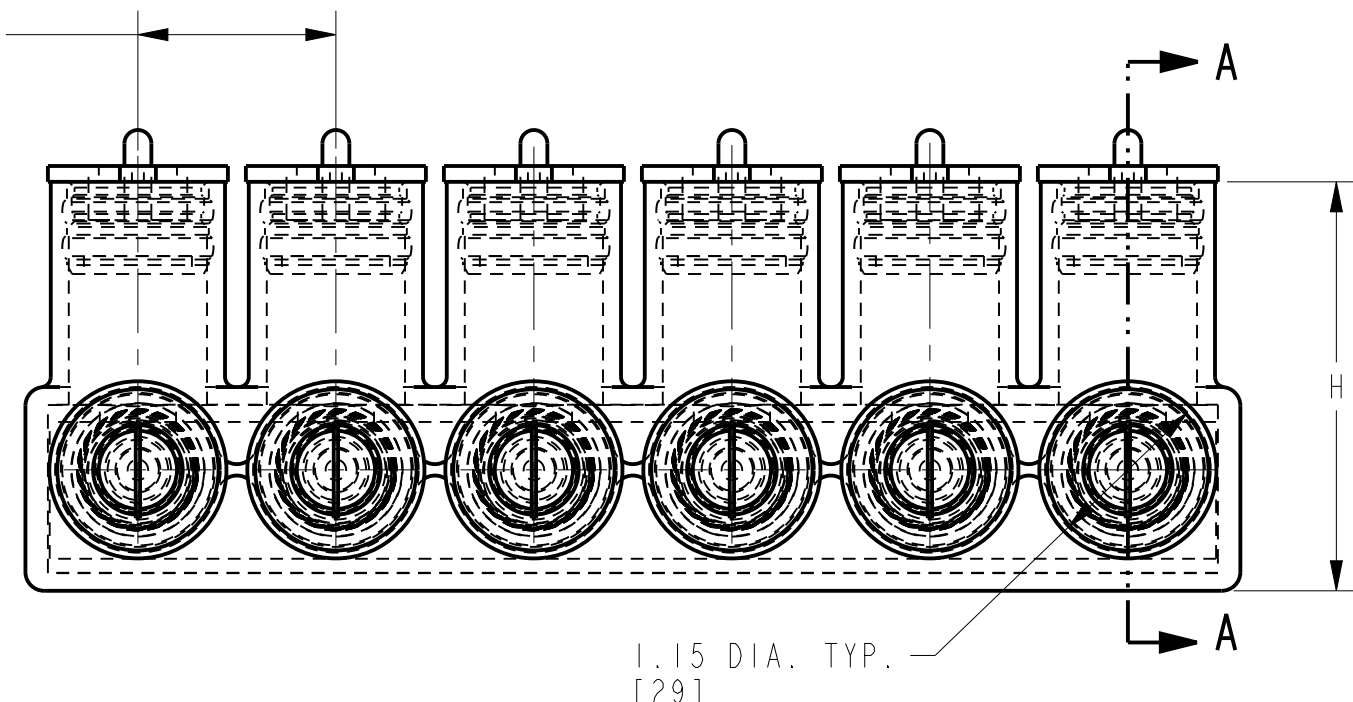
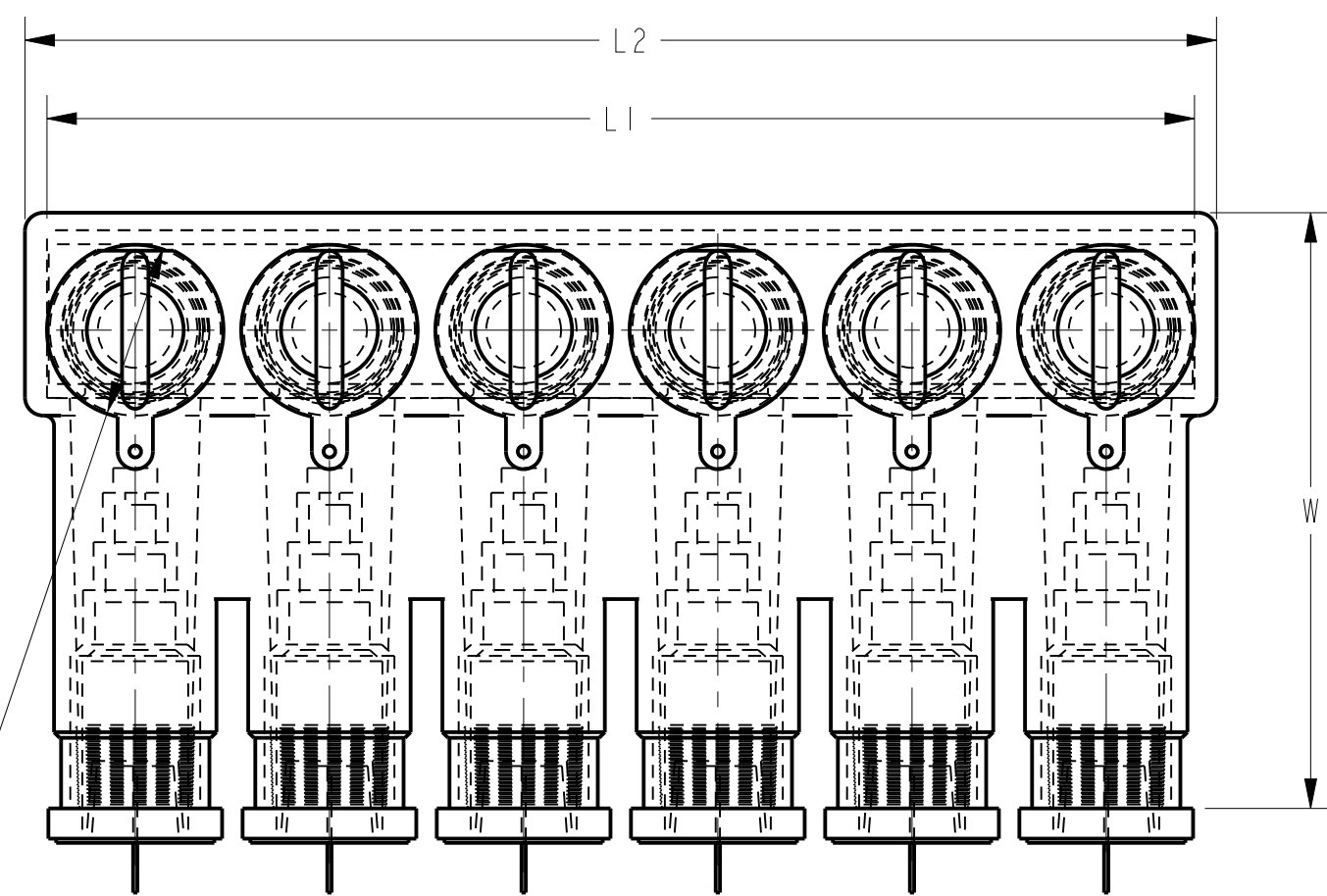
RECOMMENDED TORQUE VALUES FOR SET SCREW CONNECTORS	
CONDUCTOR SIZE	RECOMMENDED TORQUE RANGE
#12 - 6 STR	125 - 150 IN-LBS (10-13 FT-LBS)
#4 - 3/0 STR	180 - 240 IN-LBS (15-20 FT-LBS)
4/0 - 350 STR	275 - 450 IN-LBS (23-38 FT-LBS)
400 - 500 STR	475 - 550 IN-LBS (40-46 FT-LBS)



LETTERING VIEW



SECTION A-A



- NOTES:
- ENCAPSULATED IN EPDM RUBBER WITH A NOMINAL THICKNESS OF 125 MILS AND A DIELECTRIC STRENGTH OF 240 VOLTS PER MIL.
  - PRE-MARKED END INSERT ALLOWS BROAD WIRE RANGE.
  - O - RING DESIGN SCREW CAP INSERTS.
  - CONNECTOR IS PRODUCED FROM HIGH STRENGTH ALUMINUM ALLOY.
  - RATED FOR 600 VOLTS.
  - DUAL RATED FOR ALUMINUM AND COPPER CONDUCTOR: SOLID, CLASS B OR CLASS C STRANDING.
  - UL 486D LISTED FOR DIRECT BURIAL AND SUBMERSIBLE. CSA CERTIFIED FOR DIRECT BURIAL.
  - CONNECTOR HAS SOLID WIRE STOP.
  - TUBE OF SILICONE LUBRICATION FOR CONDUCTOR INSERTION CO-OXIDE INHIBITOR, AND INSTALLATION INSTRUCTIONS INCLUDED.
  - DIMENSIONS IN [ ] BRACKETS ARE IN MILLIMETERS, ROUNDED OFF TO THE NEAREST MILLIMETER, UNLESS OTHERWISE NOTED. METRIC DIMENSIONS ARE FOR REFERENCE ONLY.

TO ORDER BURNDY® PRODUCTS CALL  
 UNITED STATES:  
 1-800-346-4175 (LONDONDERRY, NH)  
 CANADA:  
 1-800-361-6975 (QUEBEC)  
 1-800-387-6487 (ALL OTHER PROVINCES)  
 FOR PRODUCT INFO: <http://www.burndy.com>

DIRECT BURIAL UNITAP™	
ITEM NO:	SEE TABLE
CAT. NO:	BIBS500-SERIES (SEE TABLE)
DRAWN BY:	B SURESH BABU 03/11/11
CHECKER:	R.ROMAN 5/13/2011
DSN APPVL:	R.ROMAN 5/16/2011
MFG APPVL:	P.KEENAN 5/13/2011
QA APPVL:	C.KOWALCZYK 5/13/2011
MKT APPVL:	K.ROBICHEAU 5/13/2011
PROD FAM:	CM&R MECHANICAL
PROJECT #:	---
DOCUMENT TYPE:	Sales
REL LEVEL:	Released
SCALE:	7:8
DRAWING NO	30013660
REV	E
SHEET 1 OF 1	

4

3

2

1

REV: PE0200

A