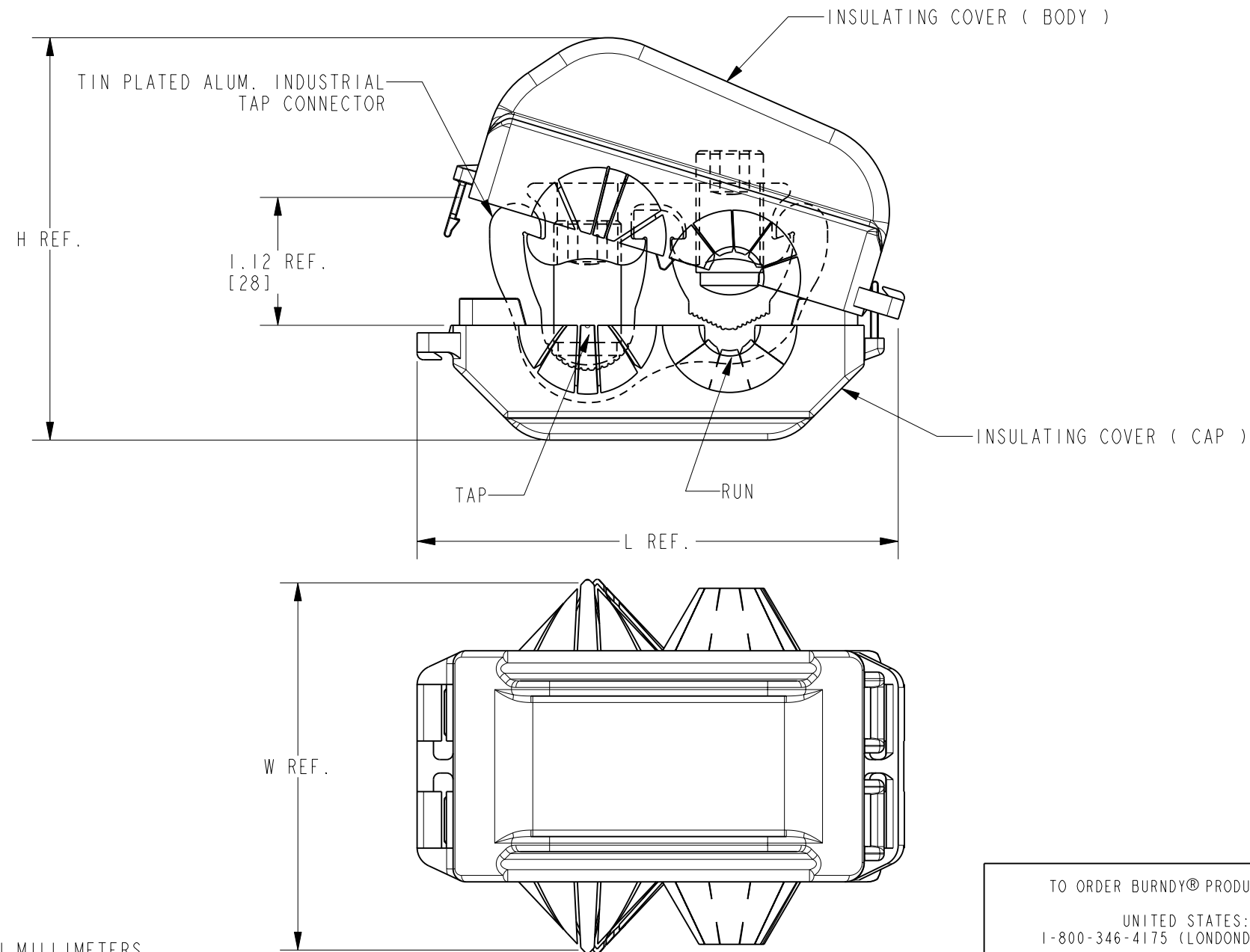


CAT. NO.	CONDUCTOR COPPER OR ALUMINUM		H REF.	L REF.	W REF.	RECOMMENDED TIGHTENING TORQUE in-lb
	RUN	TAP				
KPU29A26AC	1/0 STR. - 250 Kcmil	14 SOL. - 2/0 STR.	3.38 [86]	4.24 [108]	3.12 [79]	375
KPU29A29AC	1/0 STR. - 250 Kcmil	6 STR. - 250 Kcmil	3.38 [86]	4.24 [108]	3.12 [79]	
KPU34A26AC	4/0 STR. - 500 Kcmil	14 SOL. - 2/0 STR.	3.48 [88]	4.58 [116]	3.50 [89]	450
KPU34A34AC	4/0 STR. - 500 Kcmil	6 STR. - 500 Kcmil	3.48 [88]	4.58 [116]	3.50 [89]	
KPU39A26AC	500 - 750 Kcmil	14 SOL. - 2/0 STR.	3.82 [97]	5.06 [129]	3.50 [89]	600
KPU39A39AC	500 - 750 Kcmil	1/0 STR. - 750 Kcmil	3.82 [97]	5.06 [129]	3.50 [89]	

REV.	DATE	DESCRIPTION	ECO	BY	C'H'K.
A	05/24/2012 00:00:00 AM	CREATE SALES DRAWING	27496	BD	MA



NOTE:

1 DIMENSIONS IN BRACKETS [ ] ARE IN MILLIMETERS  
 ROUNDED OFF TO THE NEAREST MILLIMETER,  
 UNLESS OTHERWISE NOTED, AND ARE FOR REFERENCE ONLY.

REV: PE0200

TO ORDER BURNDY® PRODUCTS CALL  
 UNITED STATES:  
 1-800-346-4175 (LONDONDERRY, NH)  
 CANADA:  
 1-800-361-6975 (QUEBEC)  
 1-800-387-6487 (ALL OTHER PROVINCES)  
 FOR PRODUCT INFO: <http://www.burndy.com>

INSULATED COVER & TAP CONNECTOR ASS'Y			
ITEM NO: N/A			
CAT. NO: KPU-A-AC			
DRAWN BY:	B. DURAI CHAMY	05/24/12	<b>BURNDY</b>
CHECKER:	D. SPURRELL	06/04/12	
DSN APPVL:	T. WATTS	06/04/12	
MFG APPVL:	B. HAMMOND	06/04/12	
QA APPVL:	C. ACKERMAN	06/12/12	
MKT APPVL:	S. GALE	06/04/12	
PROD FAM:	--		SCALE: 3:4
PROJECT #:	--	SIZE	DRAWING NO
DOCUMENT TYPE:	Sales	B	50001727
REL LEVEL:	Released		SHEET 1 OF 1
			REV
			A