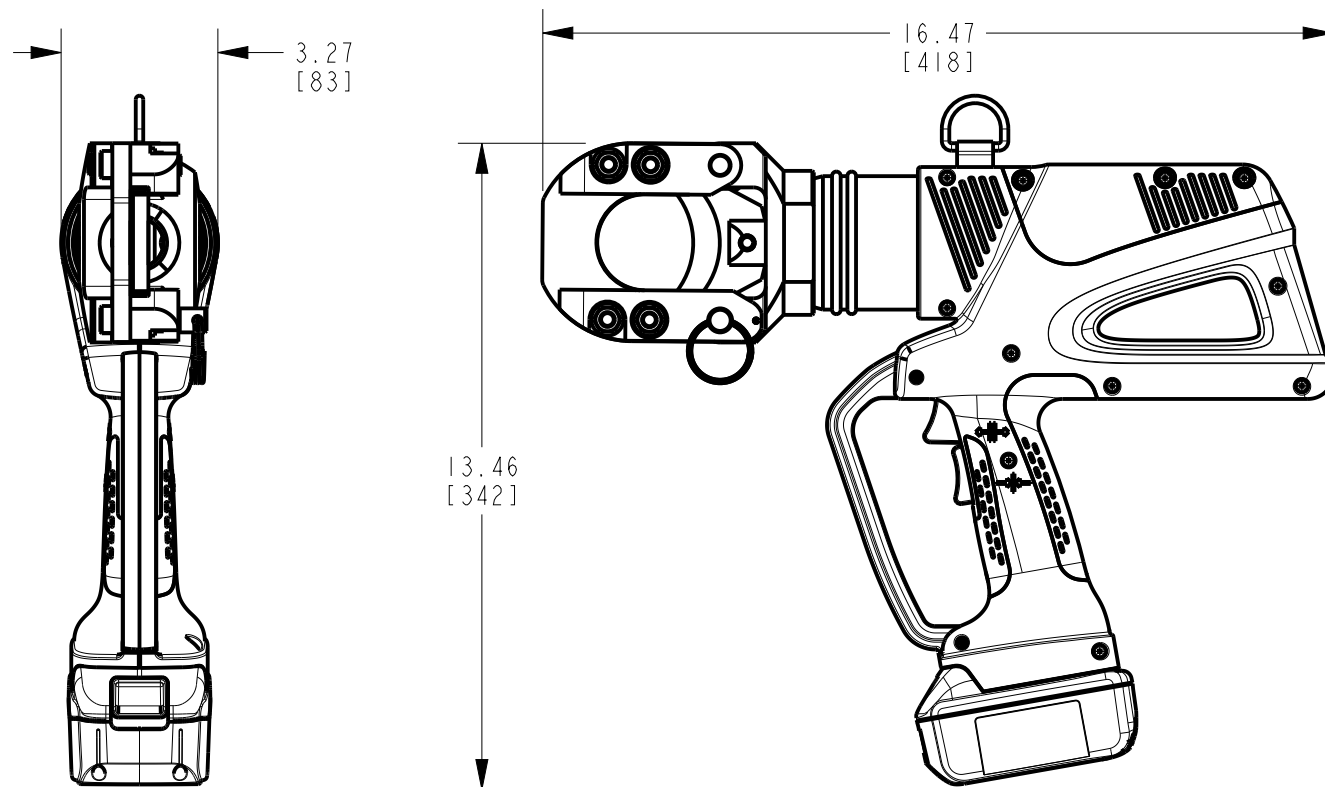


CATALOG NUMBER	DESCRIPTION	CHARGER CATALOG NUMBER
PATCUT2156-L1	PATRIOT 2156 LI CUTTER WITH 120V CHARGER	PATCHGRL1
PATCUT2156-L1DC	PATRIOT 2156 LI CUTTER WITH 12V CHARGER	PATCHGRL1DC
PATCUT2156-L1LCB	PATRIOT 2156 LI CUTTER LESS CHARGER AND BATTERIES	NO CHARGER

REV.	DATE	DESCRIPTION	ECO	BY	C'H'K.
A	06/04/2013 00:00:00 AM	NEW DRAWING	31141	TRF	LB

*** BILL OF MATERIAL ***

PT NO.	CATALOG NO.	QTY	DESCRIPTION
1	PATCASEL1	1	CASE, TOOL PATRIOT LITHIUM ION
2	BAT18VLI	2	BATTERY, MAKITA LITHIUM ION 18V 3.0 Ah
3	PATCHGRL1	1	CHARGER, BATTERY LITHIUM ION
4	BATCHGRL1OMI	1	BATTERY CHARGER SAFETY OPERATING MAINTENANCE & INSTRUCTIONS
5	PT208620	1	LANYARD
6	PATCUT2156OMI	1	SOMI, PATCUT2156
7	PT20443801	1	FIVE YEAR WARRANTY CARD
8	DOCWMSDS	1	MSDS, LITHIUM ION BATTERY



PATRIOT®

BATTERY ACTUATED TOOL - HYDRAULIC SELF CONTAINED

SPECIFICATIONS

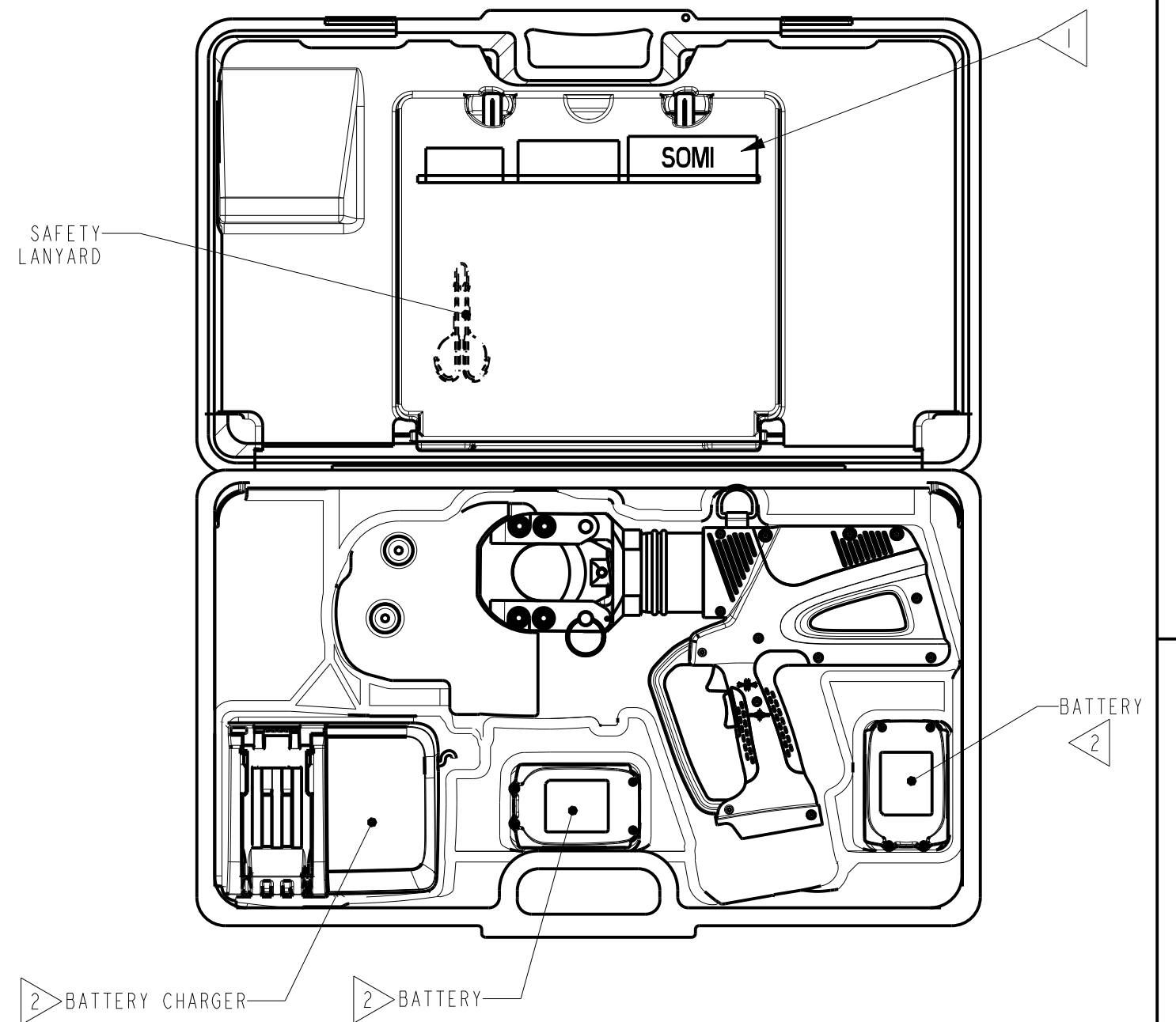
TOOL WEIGHT: 15.5 LBS [7 kg]
 LENGTH: 16.47 INCHES [418 mm]
 WIDTH: 3.27 INCHES [83 mm]
 HEIGHT: 13.46 INCHES [342 mm]
 OPERATING VOLTAGE: 18V-DC
 RECHARGE TIME: < 45 MINUTES

MATERIAL	MAX OD	
ACSR	2156 KCMIL	
Cu & Al	2.0"	(51 mm)
GROUND ROD	3/4"	(19 mm)
REBAR	5/8"	(16 mm)
SOFT STEEL BOLTS	3/4"	(19 mm)
STD. GUY WIRE	9/16"	(14 mm)
EHS GUY WIRE	9/16"	(14 mm)

1. READ AND FOLLOW ALL INSTRUCTIONS PROVIDED BY OPERATORS MANUAL, AND WARNING LABELS BEFORE USING THIS TOOL.

2. KIT SHIPPED LESS CHARGER AND BATTERIES FOR EXPORT SALES.

3. DIMENSIONS IN BRACKETS [] ARE IN MILLIMETERS ROUNDED OFF TO THE NEAREST MILLIMETER, UNLESS OTHERWISE NOTED AND ARE FOR REFERENCE ONLY.



TO ORDER BURNDY® PRODUCTS CALL		PATRIOT LATCH CUTTER	
UNITED STATES: 1-800-346-4175 (LONDONDERRY, NH)		ITEM NO: 50002797	
CANADA: 1-800-361-6975 (QUEBEC) 1-800-387-6487 (ALL OTHER PROVINCES)		CAT. NO: PATCUT2156-L1	
FOR PRODUCT INFO: http://www.burndy.com		DRAWN BY: T. FAUCHER 04/29/2013	
		CHECKER: L. BROWN 04/29/2013	
		DSN APPVL: M. CHIASSON 05/24/2013	
		MFG APPVL: S. GONYAW 05/30/2013	
		QA APPVL: J. BRODEUR 05/24/2013	
		MKT APPVL: D. OWENS 05/24/2013	
		SCALE: 3:16	
		PROD FAM: TOOLS, BATTERY	
		PROJECT #: 14396	
		DOCUMENT TYPE: Sales	
		REL LEVEL: Released	
		DRAWING NO: 50002799	
		REV: A	
		SHEET 1 OF 1	

REV: PE0200