

DRAWING NO.
SC078560-01

7

6

5

4

3

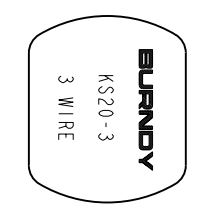
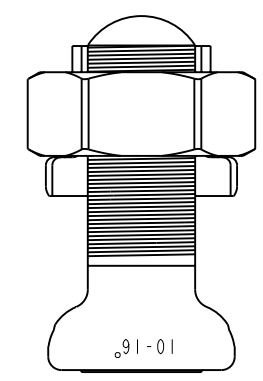
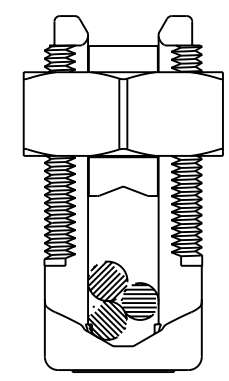
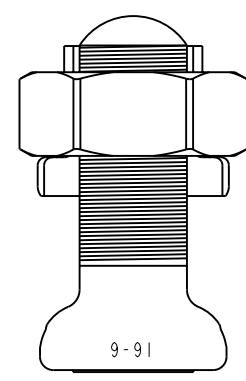
2

1

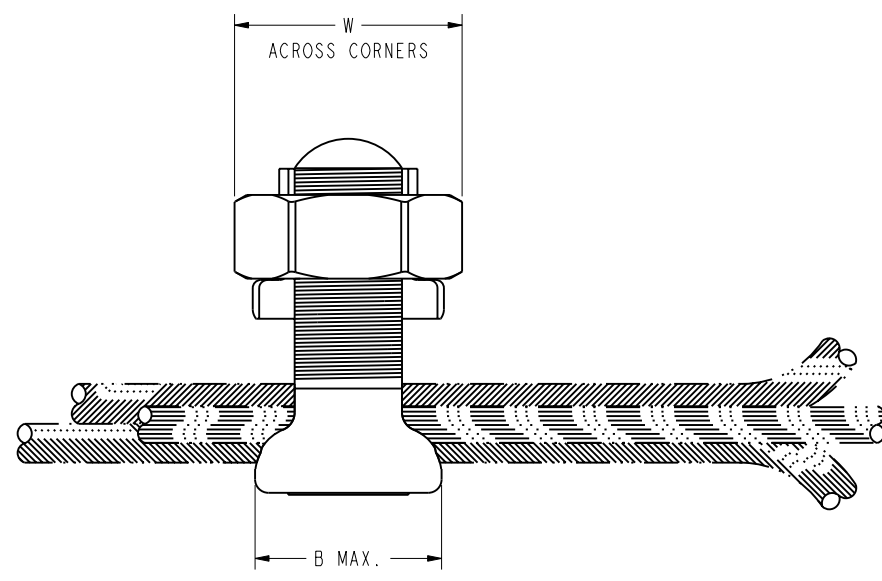
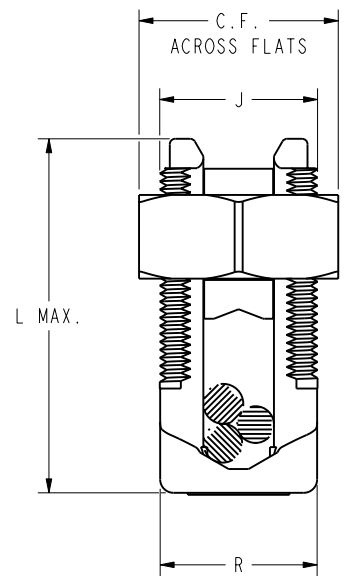
REV	DATE	DESCRIPTION	ECO	BY	C'H'K.
B	11/29/2011 00:00:00 AM	REDRAW IN PROE	26115	DD	MB

AWG			METRIC WIRE SIZE					
RANGE FOR EQUAL RUN & TAP (COPPER)			MINIMUM TAP WITH MAXIMUM CABLE RUN	CATALOG NO.	RANGE FOR EQUAL RUN & TAP (COPPER)			MINIMUM TAP WITH MAXIMUM CABLE RUN
MAX. SOLID CONDUCTOR	MINIMUM	MAXIMUM			MAXIMUM SOLID CONDUCTOR	MINIMUM	MAXIMUM	
#6 (.162)	#8 STR. (.146)	#6 SOL. (.162)	#16 STR. (.058)	KS173	10mm ² SOL. [13.2]	10mm ² STR. [4.0]	10mm ² SOL. [3.2]	1.5mm ² STR. [1.4]
#4 (.204)	#8 STR. (.146)	#4 SOL. (.204)	#14 STR. (.073)	KS203	-----	10mm ² STR. [4.0]	16mm ² STR. [5.1]	2.5mm ² STR. [2.2]
#2 (.258)	#6 STR. (.184)	#2 SOL. (.258)	#14 STR. (.073)	KS223	-----	16mm ² STR. [5.1]	25mm ² STR. [6.3]	2.5mm ² STR. [2.2]

CATALOG NO.	B	C.F.	J	L MAX.	R MAX.	V REF.	W REF.
KS173	.54 [14]	.62 [16]	7/16"-20NF-2	.98 [25]	.43 [11]	.17 [4]	.70 [18]
KS203	.68 [17]	.68 [17]	1/2"-20NF-2	1.17 [30]	.50 [13]	.21 [5]	.78 [20]
KS223	.75 [19]	.74 [19]	19/32"-20NS-2	1.33 [34]	.59 [15]	.26 [7]	.84 [21]



TYPICAL LETTERING



NOTES:

- MATERIAL: COPPER ALLOY.
- DIMENSIONS IN BRACKETS [] ARE IN MILLIMETERS ROUNDED OFF TO THE NEAREST MILLIMETER, UNLESS OTHERWISE NOTED AND ARE REFERENCE ONLY.

TO ORDER BURNDY® PRODUCTS CALL		THREE WAY SERVIT®	
UNITED STATES 1-800-346-4175 (LONDONDERRY, NH)		ITEM NO: --	CAT. NO: KS--3 (TABLE)
CANADA: 1-800-361-6975 (QUEBEC) 1-800-387-6487 (ALL OTHER PROVINCES)		DRAWN BY: H.C. 12/5/75	CHECKER: H.C. 12/8/75
FOR PRODUCT INFO: http://www.burndy.com		DSN APPVL: N/A	MFG APPVL: N/A
		QA APPVL: N/A	MKT APPVL: N/A
		PROJ #:	SCALE: NTS
		DOCUMENT TYPE: Sales	DRAWING NO: SC078560-01
		REL LEVEL: Released	REV: B
		SIZE: D	SHEET 1 OF 1

REV: PE0200

8

7

6

5

4

3

2

1