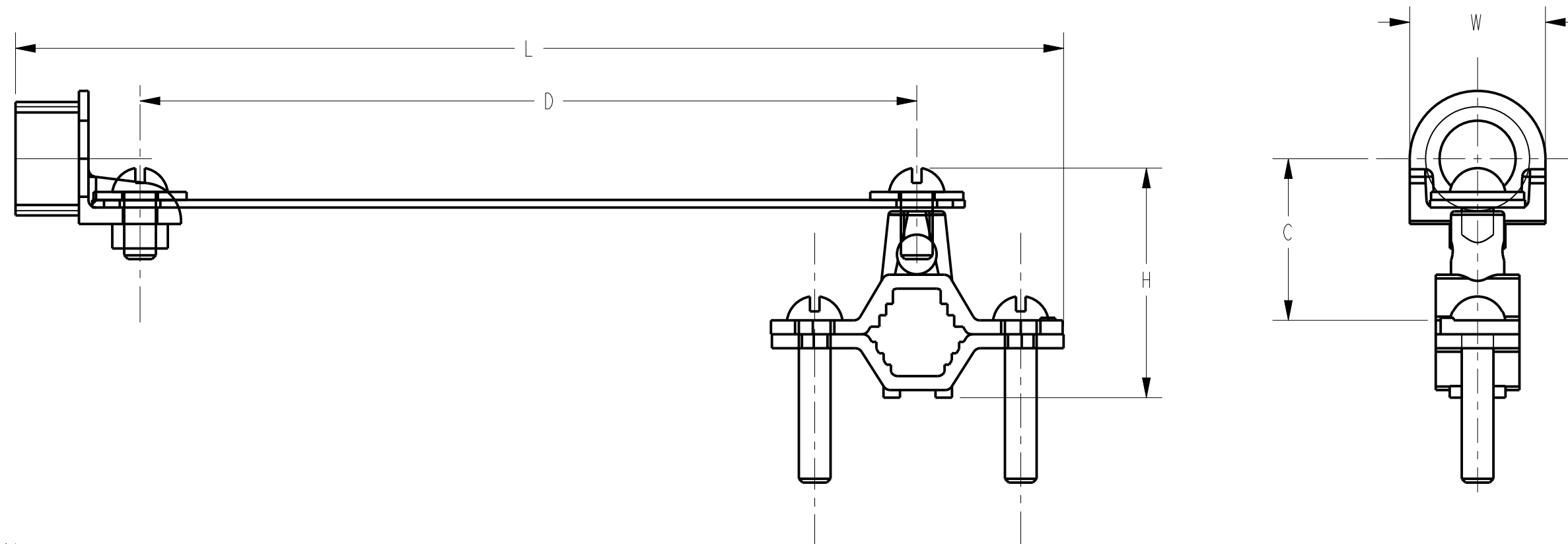


CATALOG NO.	ACCOMMODATES CONDUCTOR RANGE			REFERENCE DIMENSIONS					RECOMMENDED SCREW TORQUE "INCH POUNDS"	
	WATER PIPE	GROUND	HUB SIZE	H	L	W	C	D	PIPE CLAMP	WIRE CLAMP
C-11CSH-1			1/2 [13]			1.06 [27]	1.06 [27]			
C-11CSH-2	1/2-1 [13-25]	8 SOL-4 STR	3/4 [19]	1.75 [44]	8.50 [216]	1.25 [32]	1.50 [38]	6.12 [155]	50 LB-IN	50 LB-IN
C-11CSH-3			1 [25]			1.50 [38]	1.75 [44]			

REV.	DATE	DESCRIPTION	ECO	BY	C'H'K.
B	02/14/2013 08:49:00 AM	CORRECT GROUND WIRE CALL OUT ON SALES AND PRODUCTION DRAWINGS.	30499	MB	MA



**NOTES:**

- MATERIAL:  
BODY: SOLID CAST BRONZE.  
HARDWARE: STEEL, ZINC PLATED.  
STRAP: ETP COPPER
- CONNECTORS ARE UL LISTED TO STANDARD UL467, GROUNDING AND BONDING EQUIPMENT. FOR INDICATED CONDUCTOR RANGE.
- CONNECTORS ARE CSA CERTIFIED TO STANDARD C22.2, NO. 41, GROUNDING AND BONDING EQUIPMENT FOR INDICATED CONDUCTOR RANGE.
- DIMENSIONS IN BRACKETS [ ] ARE IN MILLIMETERS ROUNDED TO THE NEAREST WHOLE NUMBER. UNLESS OTHERWISE NOTED, AND ARE FOR REFERENCE ONLY.
- TO ACCOMMODATE THE SMALLER WATER PIPE SIZES, SOME CONNECTORS REQUIRE THE INSTALLER TO REVERSE THE BOTTOM SADDLE PORTION OF THE PIPE CLAMPING ELEMENT.

TO ORDER BURNDY® PRODUCTS CALL		GRD. CLAMPS, RIGID CONDUIT W/STRAP-WATER PIPE	
UNITED STATES:		ITEM NO: 25004378	
1-800-346-4175 (LONDONDERRY, NH)		CAT. NO: SEE TABLE	
CANADA:		DRAWN BY: D. DOBRINSKI 01/10/97	
1-800-361-6975 (QUEBEC)		CHECKER: D.D. 04/17/97	
1-800-387-6487 (ALL OTHER PROVINCES)		DSN APPVL: K. MELLO 04/18/97	
FOR PRODUCT INFO: <a href="http://www.burndy.com">http://www.burndy.com</a>		MFG APPVL: --	
		QA APPVL: KOWALCZYK 02/19/13	
		MKT APPVL: THERRIEN 02/19/13	
		SCALE: 1:1	
		DRAWING NO	
		REV	
		PROJECT #: --	
		SIZE	
		DOCUMENT TYPE: Sales	
		REL LEVEL: Released	
		SC210666-01	
		SHEET 1 OF 1	

REV: PE0200

