

REV.	DATE	DESCRIPTION	ECO	BY	C'K'D.
1	09/25/95	ADDED CAT. NO. CFBG-FR TO TABLE. UPDATED FORMATE FOR GAINSHARING.	2342	DD	KH

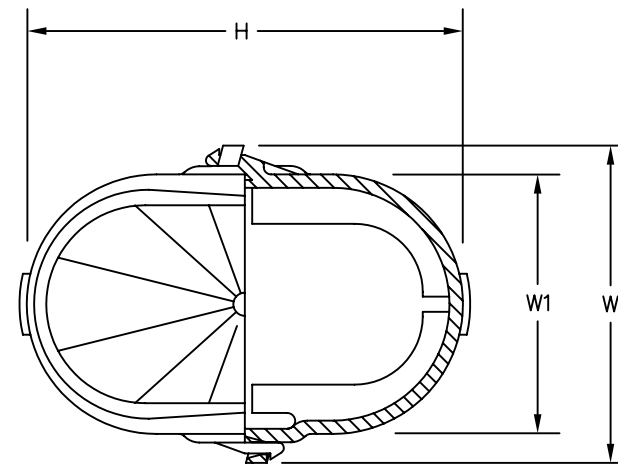
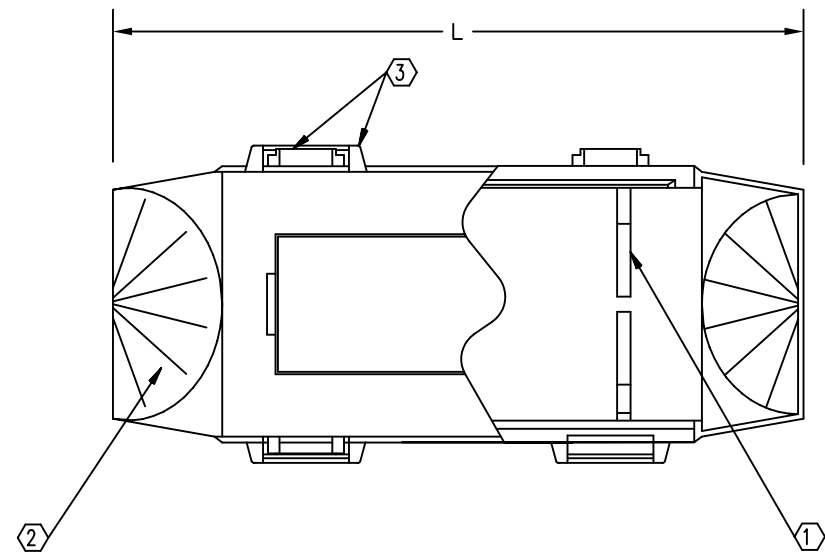


FIGURE 1  
(COVER SHOWN IN LATCHED POSITION)

**NOTES:**

- 1 BARE CONDUCTOR MUST NOT EXCEED .125 BEYOND ENDS OF CRIMPED CONNECTOR.
- 2 FIGURE 1 INCLUDES TWO COVER HALVES FOR A COMPLETE ASSEMBLY.
- 3. MATERIAL SPECIFICATION:  
CF-FR SERIES = FLAME RETARDANT  
HIGH DENSITY POLYPROPYLENE.
- 4. FUNCTIONAL SPECIFICATIONS:  
MAXIMUM VOLTAGE=600 VOLTS  
MAXIMUM OPERATING TEMP=90°C  
FLAME RETARDANT, CF-FR  
MIN. 28 OXYGEN INDEX  
MATERIAL IS UL94 V-0 RATED
- 5 SEE ALSO SD206566, SD206624.

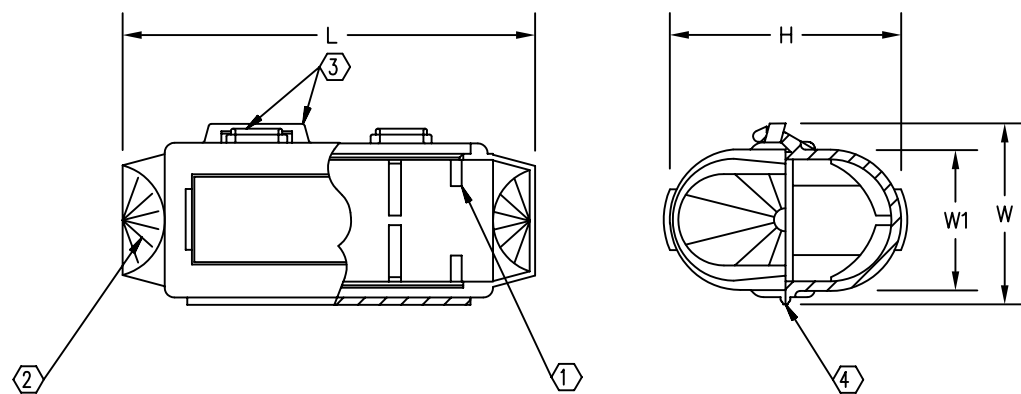


FIGURE 2  
(COVER SHOWN IN LATCHED POSITION)

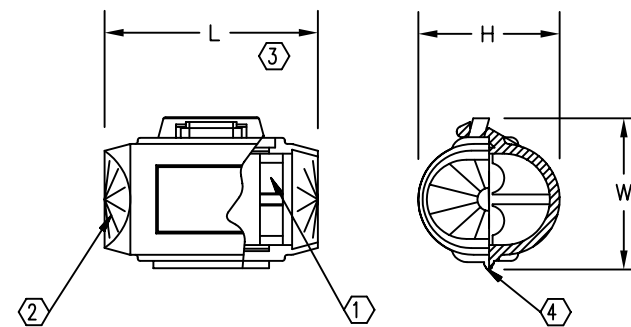


FIGURE 3  
(COVER SHOWN IN LATCHED POSITION)

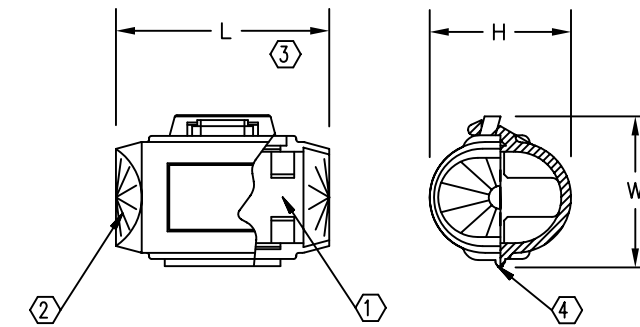


FIGURE 3A  
(COVER SHOWN IN LATCHED POSITION)

**FEATURES:**

- 1 CONNECTOR END STOPS
- 2 FLEXIBLE FINGERS
- 3 SNAP TIGHT LATCHES
- 4 HINGED ONE-PIECE CONSTRUCTION
- 5. ALL COVERS ARE UL AND CSA LISTED.

CAT. NO.	FIG. NO.	DIM'S (INCHES)				ACCOMMODATIONS 1-5	NOMINAL WALL THICKNESS
		H	W	W1 REF.	L		
CF11FR	3	1.16	1.24	---	1.75	FOR 'H' AND 'C' COPPER CRIMPIT CONNECTORS, 3/4 IN. LONG INSTALLED. USE WITH: YH8C8C, YHC8TC8.	.08
CFBG-FR	3A	1.16	1.24	--	1.75	FOR 'H' COPPER CRIMPIT CONNECTORS, ONLY 3/4 IN. LONG INSTALLED. USE WITH: YH8C8C, YH6C6C	.08
CFOFR	2	1.90	1.49	1.16	3.39	FOR 'H' AND 'C' COPPER CRIMPIT CONNECTORS, 1 IN. LONG INSTALLED. USE WITH: YH2C2C, YHC2TC2.	.08
CFDFR	2	2.02	1.59	1.26	3.39	FOR 'H' AND 'C' COPPER CRIMPIT CONNECTORS, 1-1/8 IN. LONG INSTALLED. USE WITH: YH2929, -292C, -298C, YHC29TC29, -29TC2.	.08
CFNFR	2	2.55	1.98	1.66	3.87	FOR 'H' AND 'C' COPPER CRIMPIT CONNECTORS, 1-1/4 IN. LONG INSTALLED. USE WITH: YH3434, -3429, YHC34TC34, -34TC29, -34TC2.	.08
CFRFR	1	3.58	2.60	2.13	5.70	FOR 'H' AND 'C' COPPER CRIMPIT CONNECTORS, 1-1/2 IN. LONG INSTALLED. USE WITH: YH4444, -4429, -3939, -3931, YHC44TC44, -39TC39, -39TC31, -39TC2.	.11

TO ORDER BURNDY® PRODUCTS CALL  
 UNITED STATES:  
 1-800-346-4175 (LONDONDERRY, NH)  
 CANADA:  
 1-800-361-6975 (QUEBEC)  
 1-800-387-6487 (ALL OTHER PROVINCES)  
 FOR PRODUCT INFO: <http://www.burndy.com>

CF-COVER	
ITEM NO: --	
CAT NO: CF- (SEE TABLE)	
SCALE: FULL SIZE	
DRAWN BY: R. PERREault 11/10/93	
CHECKER: K. HENRY 11/11/93	
DSN APPVL: G. SCHRADER 11/12/93	
MFG APPVL: --	
QC APPVL: A. LLOYD 11/17/93	
MKT APPVL: G. GOURDON 11/15/93	
PROD FAM: --	
PROJECT #: --	
DOCUMENT TYPE: Sales	
REL LEVEL: AutoCAD	



DRAWING NO	REV
SD208803	1

SHEET 1 OF 1