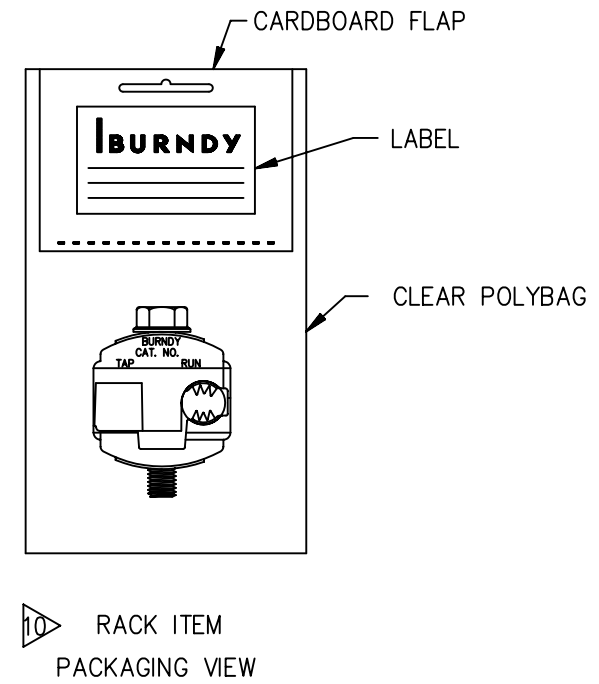
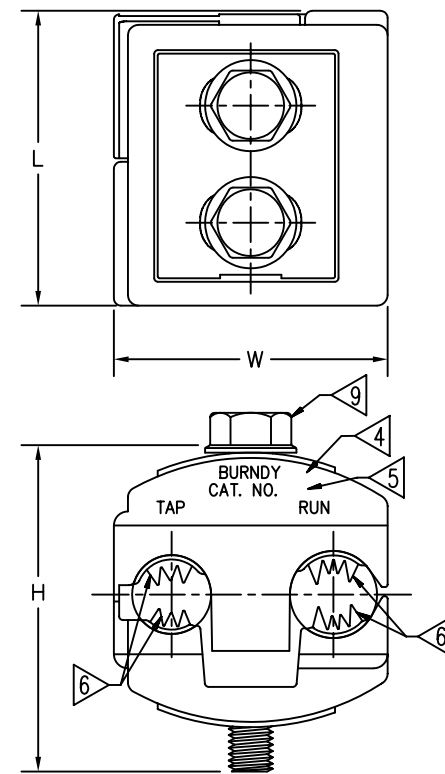
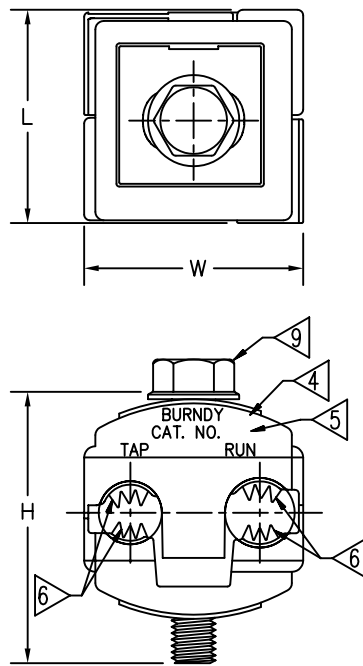
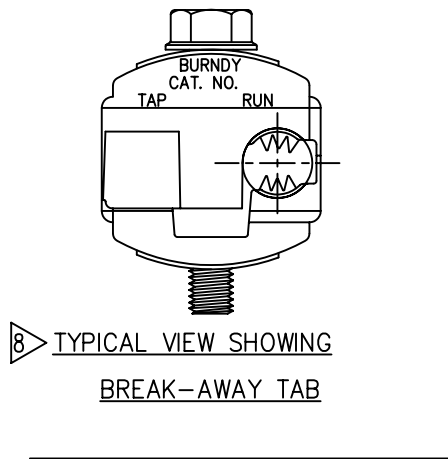


| CATALOG NUMBER | RACK ITEM CATALOG NUMBER | CONDUCTOR RANGE | | BOLT SIZE | SOCKET SIZE | FIG. NO. | DIMENSIONS (REF) | | | LETTERING | RECOMMENDED TORQUE [N.m] | MAX. VOLTAGE RATING | PACKAGING QTY'S | |
|----------------|--------------------------|---|--|-----------|-------------|----------|------------------|--------------|--------------|--|----------------------------|---------------------|-----------------|-----------|
| | | RUN | TAP | | | | H | L | W | | | | STANDARD | RACK ITEM |
| BIPC1/0-2 | BIPC1/0-2RK | 1/0-8 AWG [50-6 mm ²] | 2-8 AWG [35-6 mm ²] | 5/16-18 | 1/2 | 1 | 2.00 [51] | 1.53 [39] | 1.53 [39] | BURNDY BIPC1/0-2 2-8 AWG 1/0-8 AWG | 180 IN. LBS. [20.3 N.m] | 600V | 12 PCS | 5 PCS |
| BIPC4/0-6 | BIPC4/0-6RK | 4/0-1/0 AWG [95-50 mm ²] | 1/0-6 AWG [50-16 mm ²] | 5/16-18 | 1/2 | 2 | 2.50 [64] | 2.12 [54] | 2.00 [51] | BURNDY BIPC4/0-6 1/0-6 AWG 4/0-1/0 AWG | 250 IN. LBS. [28.3 N.m] | 300V | 12 PCS | 2 PCS |
| BIPC4/0-1/0 | BIPC4/0-1/0RK | 4/0-1/0 AWG [95-50 mm ²] | 4/0-1/0 AWG [95-50 mm ²] | 5/16-18 | 1/2 | 2 | 2.50 [64] | 2.12 [54] | 2.06 [52] | BURNDY BIPC4/0-1/0 4/0-1/0 AWG 4/0-1/0 AWG | 250 IN. LBS. [28.3 N.m] | 300V | 8 PCS | 2 PCS |
| BIPC350-4/0 | BIPC350-4/0RK | 350-4/0 AWG [185-95 mm ²] | 4/0-10 AWG [95-6 mm ²] | 3/8-16 | 9/16 | 1 | 3.00 [76] | 1.59 [40] | 2.50 [64] | BURNDY BIPC350-4/0 4/0-10 AWG 350-4/0 AWG | 375 IN. LBS. [42.4 N.m] | 300V | 4 PCS | 1 PCS |
| BIPC350-350 | BIPC350-350RK | 350-4/0 AWG [185-95 mm ²] | 350-4/0 AWG [185-95 mm ²] | 3/8-16 | 9/16 | 2 | 3.00 [76] | 2.62 [67] | 2.75 [70] | BURNDY BIPC350-350 350-4/0 AWG 350-4/0 AWG | 300 IN. LBS. [33.9 N.m] | 300V | 4 PCS | 1 PCS |
| BIPC500-4/0 | BIPC500-4/0RK | 500-350 kcmil [240-185 mm ²] | 4/0-4 AWG [95-25 mm ²] | 3/8-16 | 9/16 | 1 | 3.25 [83] | 1.80 [46] | 2.62 [67] | BURNDY BIPC500-4/0 4/0-4 AWG 500-350 kcmil | 400 IN. LBS. [45.2 N.m] | 600V | 4 PCS | 1 PCS |



NOTES:

- FOR COPPER TO COPPER, COPPER TO ALUMINUM, AND ALUMINUM TO ALUMINUM APPLICATIONS.
- SELF INSULATED FOR HOT LINE APPLICATIONS. INSTALLATION TO BE MADE ON A LINE NOT UNDER LOAD.
- FOR USE ON INSULATED CONDUCTORS.
- CONNECTORS ARE UL LISTED.
- CONNECTORS ARE CSA CERTIFIED.
- CONTACT SURFACES OF CONNECTORS ARE PREFILLED WITH A CONDUCTIVE LUBRICATING COMPOUND TO ASSURE PROPER CONNECTION.
- DIMENSIONS IN BRACKETS [] ARE IN MILLIMETERS ROUNDED OFF TO THE NEAREST MILLIMETER, UNLESS OTHERWISE NOTED, AND ARE FOR REFERENCE ONLY.
- TAP GROOVES COVERED WITH BREAK-AWAY TABS. TABS CAN BE REMOVED DEPENDING ON APPLICATION. FIGURES 1 & 2 SHOW BREAK-AWAY TABS REMOVED.
- BIPC350-4/0-A, BIPC350-350-A AND BIPC500-4/0-A ARE SUPPLIED WITH FLAT WASHER UNDER BOLT HEAD.
- ADD "RK" SUFFIX TO END OF CATALOG NUMBER FOR RACK ITEMS.

| REV. | DATE | DESCRIPTION | ECO | BY | C'K'D. |
|------|----------|------------------------|-------|----|--------|
| A | 12/09/09 | UPDATE NOTE 2 PER M/U. | 18998 | RB | PL |

TO ORDER BURNDY® PRODUCTS CALL
UNITED STATES:
1-800-346-4175 (LONDONDERRY, NH)
CANADA:
1-800-361-6975 (QUEBEC)
1-800-387-6487 (ALL OTHER PROVINCES)
FOR PRODUCT INFO: <http://www.burndy.com>

| INSULATION PIERCING CONNECTORS | |
|--------------------------------|-----|
| ITEM NO: --- | |
| CAT NO: BIPC- (SEE TABLE) | |
| SCALE: N/A | |
| DRAWN BY: J. AYER 10/17/96 | |
| CHECKER: J. MICHAUD 10/18/96 | |
| DSN APPVL: L. WOO 10/17/96 | |
| MFG APPVL: --- | |
| QC APPVL: P. VARIO 10/18/96 | |
| MKT APPVL: P. WERTHMAN --- | |
| PROD FAM: --- | |
| PROJECT #: --- | |
| DOCUMENT TYPE: Sales | |
| REL LEVEL: AutoCAD | |
| DRAWING NO | REV |
| SD210728 | A |
| SHEET 1 OF 1 | |

