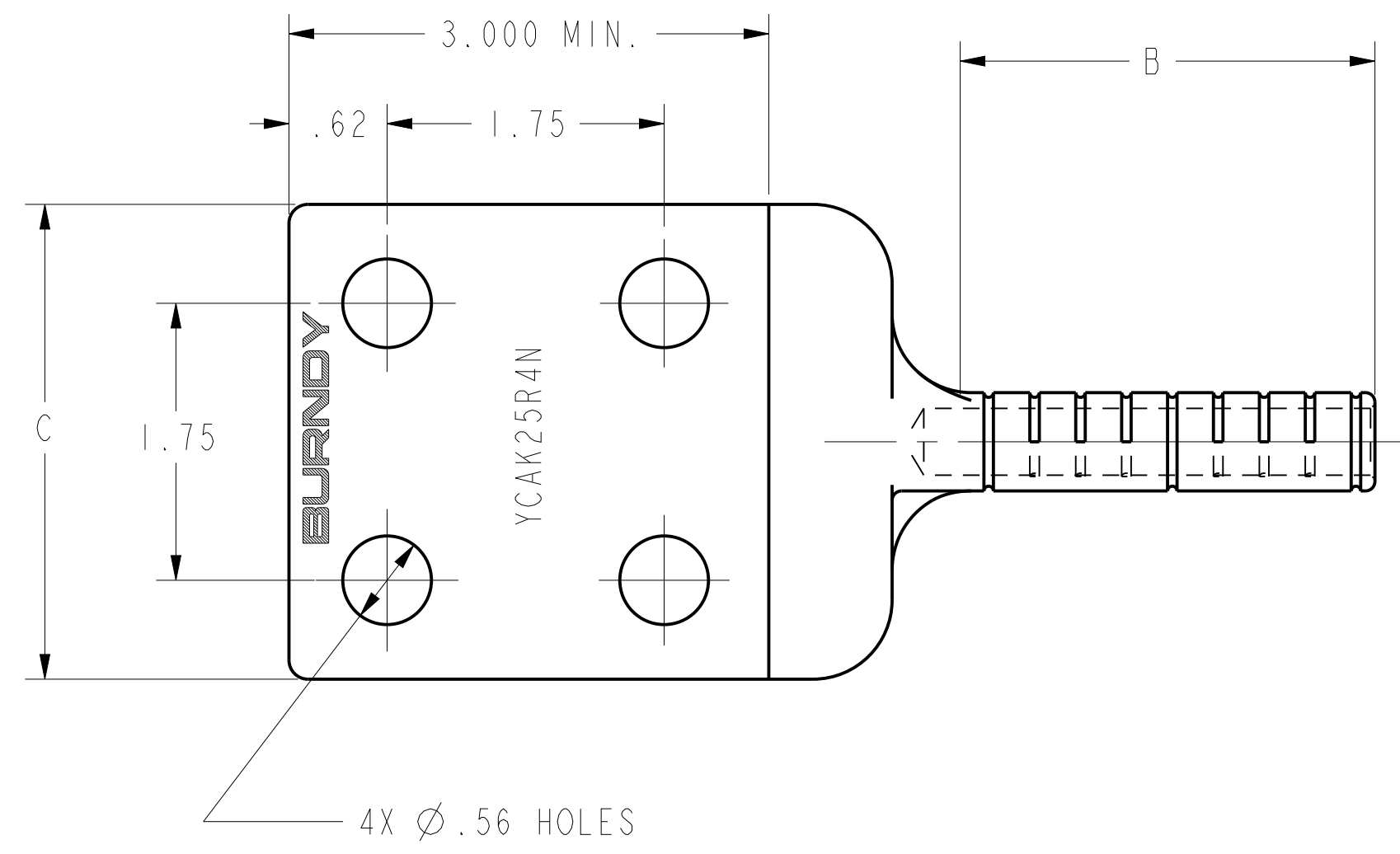
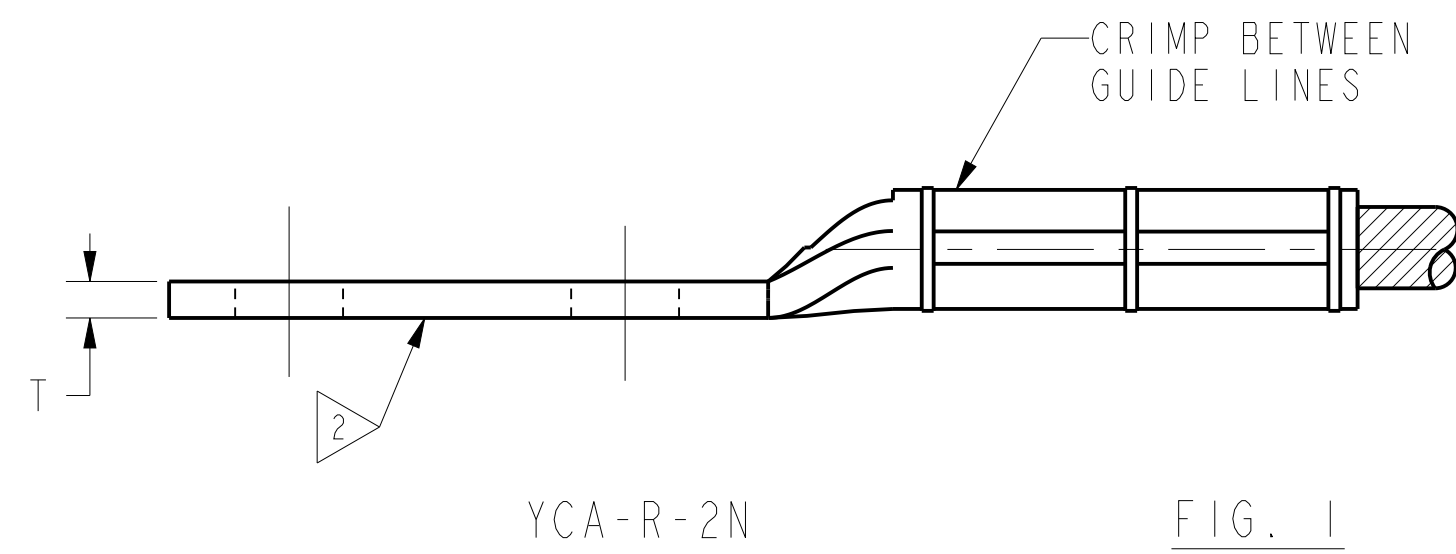
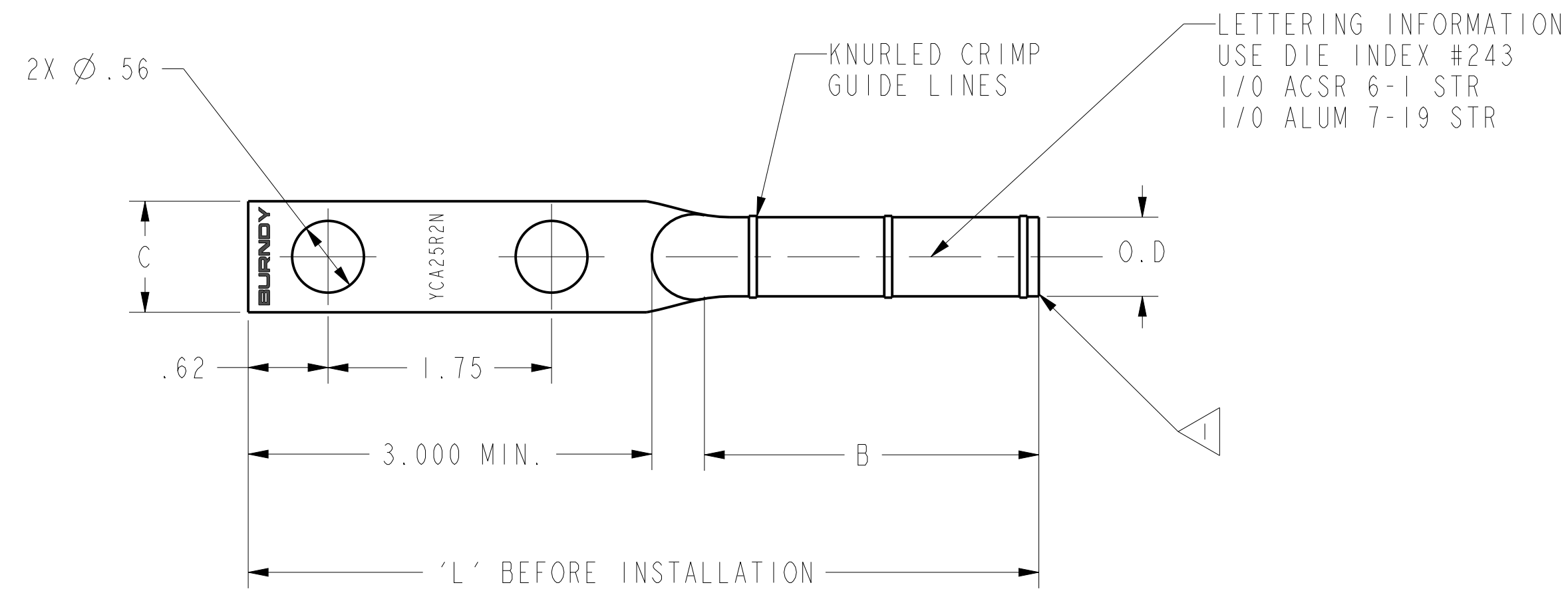
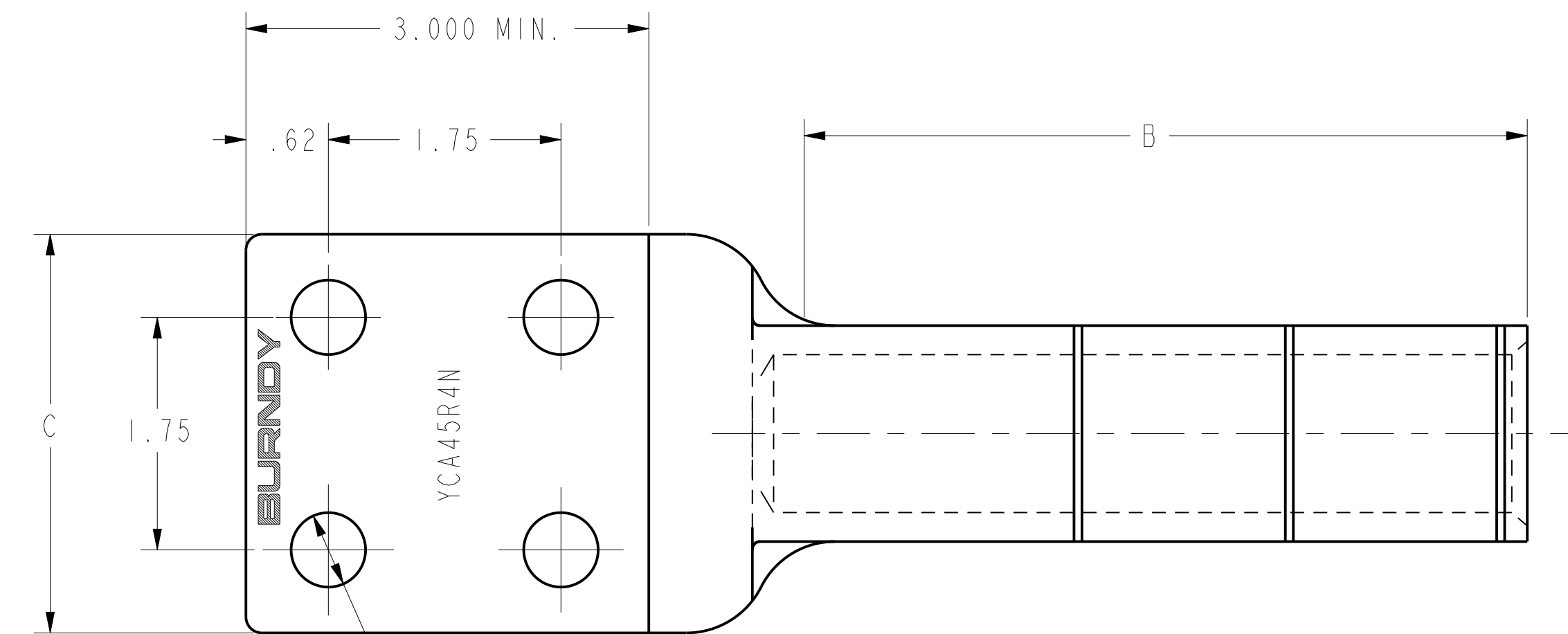


REV	DATE	DESCRIPTION	ECO	BY	C.H.K.
J	01/20/2017 00:00:00 AM	CHANGED "B" DIMENSION FROM 5.00 TO 5.31 FOR CAT. NO. YCA28R2NBL5 IN SHEET 2.	45753	JR	MB

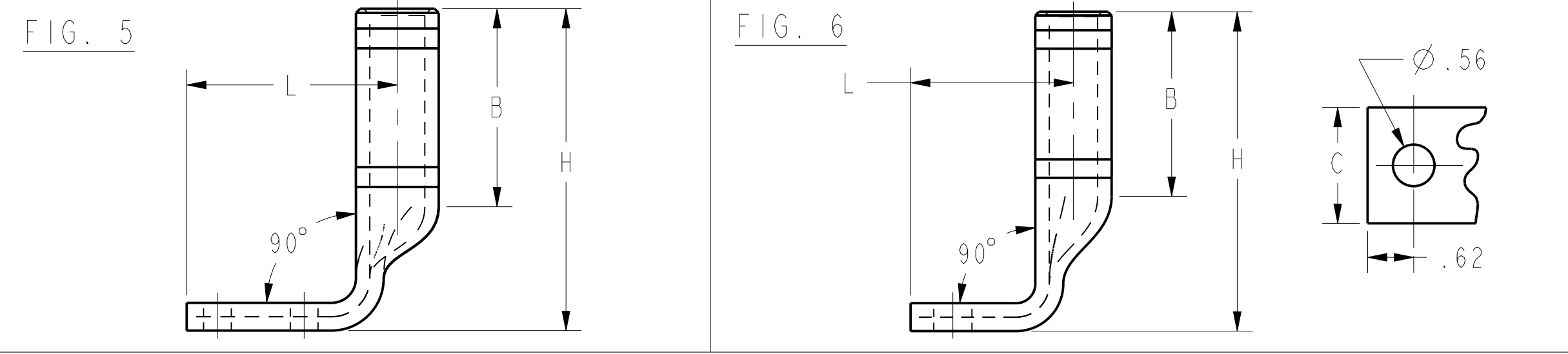
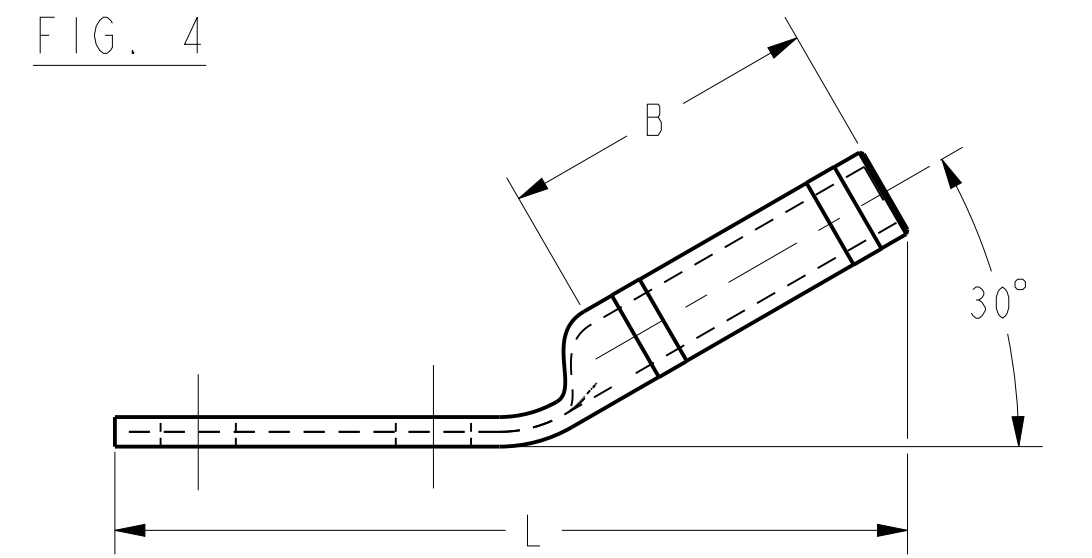
TYPICAL LETTERING AS SHOWN



YCAK-R-4N FIG. 2



YCA-R-4N FIG. 3



NOTES:

- 1 BARRELS PARTIALLY FILLED WITH PENETROX™ & SEALED.
- 2 TONGUE COATED WITH AN OXIDE RETARDANT.
- 3 CAST CONNECTOR.
- 4 FLAT SIDED BARREL.
- 5 CRIMPS WILL OVERLAP WHEN USING Y48B, Y436RB HYPRESSES™.
- 6 HYTOOLS™ MD5-3, MD5-4, MD5-7, MD5-9, MD5-12.
- 7 CRIMPS OVERLAP.
- 8 ALTERNATE CAT. NO. YCA50R2N, YCA50R4N.
- 9 "TN" AT THE END OF CAT. NO. INDICATES THE CONNECTOR WILL BE SUPPLIED TIN PLATED.
- 10 FOR UNDRILLED VERSIONS ADD SUFFIX LETTER "U" TO END OF CATALOG NUMBER.

MATERIAL: ALUMINUM  
FIG. 1 & 3 - TUBE  
FIG. 2 - CAST

TO ORDER BURNDY® PRODUCTS CALL		HYLUG™ (ACSR & AL.) NEMA	
UNITED STATES 1-800-346-4175 (LONDONDERRY, NH)		ITEM NO: --- CAT. NO: SEE TABLE	
CANADA: 1-800-361-6975 (QUEBEC) 1-800-387-6487 (ALL OTHER PROVINCES)		DRAWN BY: B.L.C. 7-14-61 CHECKER: EPG 7-26-61	
FOR PRODUCT INFO: <a href="http://www.burndy.com">http://www.burndy.com</a>		DSN APPVL: -- -- MFG APPVL: -- -- QA APPVL: -- -- MKT APPVL: -- --	
		SCALE: 1:1	
		PROD FAM: --	
		DRAWING NO	
		PROJECT #: --	
		SIZE	
		DOCUMENT TYPE: Sales	
		SD029515	
		REL LEVEL: Released	
		D	
		SHEET 1 OF 4	
		J	

REV: PEC200



CATALOG NUMBER	CONDUCTOR RANGE				FIG. NO.	B	C	L (APPROX)	O.D.	T	TOOL INDEX NO.	INSTALLATION DATA										SEE NOTE NO.
	ACSR		ALUM									HYPRESS™ & DIE SET WITH NO. OF CRIMPS										
	AWG Kcmil	STR	AWG Kcmil	STR								Y45L		Y35/Y750		Y48B		Y486RB		Y60		
YCA39R2N	556.5 (.914)	24-7			1	3.59	2.08	8.31	1.50	.53	608	S-608	2	U39RYFT	6	--	-	--	-			4
YCAK39R4N	(.927)	26-7			2	3.56	3.00	8.06		.50												
YCA361A2N			636 (.918)	37	1	3.59	2.08	8.22	1.50	.53	469	S-469	4			C469	2					
YCAK361A4N					2	3.56	3.00	8.55		.50												
YCA43R2N	605 (.994)	30-19	795 (1.026)	37	1	5.30	2.48	10.28		.78												
YCAK43R4N	636 (.977)	24-7	(1.028)	61	2	5.25	3.00	9.69		.62	292 OR 319	S-292				--	-	--	-			4
	(.990)	26-7							1.84			S-578	6									
	(1.019)	30-19	700 (.964)	61								S-319										
	666.6 (1.000)	24-7	750 (.998)	61																		
YCA391A2N			795 (1.026)	37	1	5.24	2.32	10.06	1.67	.58	342	S-342	6			--	-					
YCAK391A4N			750 (.998)	61	2	5.25	3.00	9.88		.56												
YCA453R2N	795 (1.04)	36-1			1	5.31	2.52	10.28		.70	292 OR 578	S-292	6			C292	3	F412RYF-1	3			4
YCAK453R4N	715.5 (1.051)	26-7			2	5.25	3.00	9.64	1.84	.62		S-578				--	-	--	-			
	795 (1.063)	45-7																				
YCA45R2N	795 (1.093)	54-7	900 (1.094)	61,91	1	5.31	2.55	10.28		.65		S-352										4
YCAK45R4N	(1.108)	26-7	954 (1.126)	37,61	2	5.25	3.00	9.64	1.84	.62	352		6									3
YCAK45R4N30			1000 (1.152)	61	4	5.25	3.00	10.00		.62		S579				C352 C579	3	F45RYF	3			
	1033.5 (1.186)	36-1								--												
	1033.5 (1.219)	45-7																				
YCA48R2N	954 (1.196)	54-7			1	4.75	2.89	10.00	2.12	.86	575					C575	3	F48RYF	3			4
	954 (1.165)	45-7																				
YCA48R4N	900 (1.162)	54-7			3	4.75	3.00	10.00		.77												
YCA441A2N			1033.5 (1.170)	37	1	4.73	2.85	10.00		.86												4
			(1.172)	61					2.12		575											4
YCA441A4N			1113 (1.216)	61	3	4.75	3.00	10.00		.77												4
YCA49R2N	1033.5 (1.246)	54-7			1	4.90	2.92	10.16		.80												4
YCAK49R4N	1113 (1.259)	45-7			2	4.88	3.00	9.50	2.12	.75	422							F49RYF	3			
YCA49R4N					3	4.90	3.16	10.16		.69												
YCA451A2N					1	4.92	3.00	10.19		.69	422								F49RYF	3		4
YCA451A4N	1113 (1.293)	54-19	1272 (1.300)	61	3	4.92	3.00	10.19	2.12	.69												
YCA51R4N	1192.5 (1.333)	54-13							2.35	.91	684								F51RYR	3		
YCAK50R4N	1113 (1.293)	54-19	1272 (1.300)	61	2	4.88	3.00	9.50	2.12	.75	422								F49RYF	3		4
YCA391A2N30			795 (1.026)	37	4	5.24	2.32	10.00	1.67	.58	342	S-342	6			C342	3					

REV	DATE	DESCRIPTION	ECO	BY	C.H.K.
J	01/20/2017 00:00:00 AM	CHANGED "B" DIMENSION FROM 5.00 TO 5.31 FOR CAT. NO. YCA28R2NBL5 IN SHEET 2.	45753	JR	MB

D

C

B

A

D

C

B

A

TO ORDER BURNDY® PRODUCTS CALL		HYLUG™ (ACSR & AL.) NEMA	
UNITED STATES 1-800-346-4175 (LONDONDERRY, NH)		ITEM NO: --	
CANADA: 1-800-361-6975 (QUEBEC) 1-800-387-6487 (ALL OTHER PROVINCES)		CAT. NO: SEE TABLE	
FOR PRODUCT INFO: <a href="http://www.burndy.com">http://www.burndy.com</a>		DRAWN BY: B.L.C. 7-14-61	
		CHECKER: EPG 7-26-61	
		DSN APPVL: --	
		MFG APPVL: --	
		QA APPVL: --	
		MKT APPVL: --	
		SCALE: 1:1	
		PROD FAM: --	
		DRAWING NO	
		PROJECT #: --	
		SIZE	
		DOCUMENT TYPE: Sales	
		REL LEVEL: Released	
		SD029515	
		SHEET 3 OF 4	
		J	

REV: PEO200

REV	DATE	DESCRIPTION	ECO	BY	CHK.
J	01/20/2017 00:00:00 AM	CHANGED "B" DIMENSION FROM 5.00 TO 5.31 FOR CAT. NO. YCA28R2NBL5 IN SHEET 2.	45753	JR	MB

CATALOG NUMBER	CONDUCTOR RANGE				FIG. NO.	B	C	H	L (APPROX)	O.D.	T	TOOL INDEX NO.	INSTALLATION DATA												SEE NOTE NO.										
	ACSR		ALUM										HYTOOL™ WITH NO. OF CRIMPS						HYPRESS™ & DIE SET WITH NO. OF CRIMPS																
	AWG Kcmil	STR	AWG Kcmil	STR									MD4 (DIE SET)		MD5	MD6 (DIE SET)		Y34A	Y35/Y750	Y45L	Y48B	Y486RB	Y60												
YCAK391A4N90			795 (1.026) 750 (.998)	37 61	5	5.25	3.00	6.50	4.25	1.67	.56	342							S342	6	C342	3													
YCAK521R4N	1272 (1.345)	45.7			2	6.34	3.00		10.59	2.255	.75	648											F49RYF-I	4	L49RYFI	4	5								
YCAK451A4N90			1272 AAC (1.300) 1351.5 AAC (1.340)	61 61	5	4.88	3.00	6.15	4.69	2.13	.75	422											F49RYF	3	4	5									
YCA25R2N30	1/0 (.398)	6-1	1/0 (.373)	7,19	4	2.39	.87		5.81	.62	.19	BG 243	MD3	8	W4-T W5-T W8-T	8	6	8	W-BG W243	8	A243	2	U243	2		C243	1		L243	1					
YCA26R2N30	2/0 (.447)	6-1	2/0 (.419)	7,19	4	2.43	.97		5.91	.70	.22	245			W5-T	8	MD5-7	8	W245	4	A245	2	U245	2		C245	1		L245	1					
YCA28R2N30	4/0 (.563)	6-1 6-7	4/0 (.528)	7,19	4	2.80	1.21		6.38	.88	.28	249							W249	6	A249	3	U249	3		C249			L249	5					
YCA321R2N30	336.4 (.684)	18-1	336.4 (.666) 350 (.678) (.681)	19 19 37,61	4	2.68	1.54		6.45	1.12	.41	490 705 321									A490 A321	4	U490 U705 U321	4		C490 C321		F490	L490	4 5					
YCA33R2N30	336.4 (.721) (.741)	26-7 30-7	397.5 (.724)	19	4	3.00	1.60		6.69	1.14	.35	316 705											U316 U705	4		C316		F316	L316	5					
YCA33R2N90	336.4 (.721) (.741)	26-7 30-7	397.5 (.724)	19	5	3.00	1.60	5.32	4.04	1.14	.35	316 705											U316 U705	4		C316			L317						
YCA35R2N30	397.5 (.783) (.806) (.743)	26-7 30-7 18-1	477 (.783) (.795) 500 (.813)	19 37 37,61	4	3.02	1.84		6.84	1.25	.35	317												U317	4		C317		F317	L317	5				
YCA37R2N90	477 (.846) (.858) (.883) 556.5 (.879)	24-7 26-7 30-7 18-1	556.5 (.856) (.858)	19 37	5	3.69	1.90	5.61	3.95	1.36	.38	261													U261	5		C261	2	F37RYF	2	5			
YCA39R2N30	556.5 (.914) (.927)	24-7 26-7			4	3.59	2.08		7.59	1.50	.53	608													U608	6	S608	2	C608	2	F608	2	L608	2	4
YCA453R2N30	795 (1.04) (1.063) 715.5(1.051)	36-1 45-7 26-7			4	5.31	2.53		9.25	1.84	.70	292														S292	6	C292	3	F292	3	L292	3	4	
YCA321R2N90	336.4 (.684)	18-1	336.4 (.666) 350 (.678) (.681)	19 19 37,61	6	2.68	1.54	4.69	2.39	1.12	.41	490 705 321									A490 A321	4	U490 U705 U321	4		C490 C321		F490	L490	4 5					
YCA35R2N90TN	397.5 (.783) (.806) (.743)	26-7 30-7 18-1	477 (.783) (.795) 500 (.813)	19 37 37,61	5	3.02	1.84	5.04	4.14 MAX.	1.25	.35	317													U317	4		C317		F317	L317	5			
YCA43R2N90	605 (.994) 636 (.977) (.990) (1.019) 666.6 (1.000)	30-19 24-7 26-7 30-19 24-7	795 (1.026) (1.028) 700 (.964) 750 (.998)	37 61 61 61	5	5.30	2.48	8.73	4.40	1.84	.78	292 OR 319														S-292 S-578 S-319	6	C292	3	F412RYF-I F43RYF	3	4			

TO ORDER BURNDY® PRODUCTS CALL		HYLUG™ (ACSR & AL.) NEMA	
UNITED STATES 1-800-346-4175 (LONDONDERRY, NH)		ITEM NO: --	CAT. NO: SEE TABLE
CANADA: 1-800-361-6975 (QUEBEC) 1-800-387-6487 (ALL OTHER PROVINCES)		DRAWN BY: J.R.H 12-8-69	CHECKER: J.P.S 12-10-69
FOR PRODUCT INFO: <a href="http://www.burndy.com">http://www.burndy.com</a>		DSN APPVL: M.G 12-10-69	MFG APPVL: --
		QA APPVL: --	MKT APPVL: --
		PROD FAM: --	DRAWING NO: REV
		PROJECT #: --	SIZE: D
		DOCUMENT TYPE: Sales	SD029515
		REL LEVEL: Released	SHEET 4 OF 4

D

C

B

A

D

C

B

A

REV: PE0200