

CAT. NO.	PART NO.	FIG. NO.	B	C	LETTERING	GAGE CAT. NO.
P39ART	P39ARPI	1	.500 [13]	.634 [16]	BURNDY P39ART 750 kcmil AL. INDEX 301	PPG301
P40ART	P40ARPI	1	.523 [13]	.608 [15]	BURNDY P40ART 800 kcmil AL. INDEX 474	PPG474
P44RT	P44RPI	1	.312 [8]	.655 [17]	BURNDY P44RT 1000 kcmil CU. INDEX 27	PPG27
P39RT	P39RPI	1	.350 [9]	.749 [19]	BURNDY P39RT 750 kcmil CU. INDEX 24	PPG24
P46RT	P46RPI	1	.250 [6]	.507 [13]	BURNDY P46RT 1500 kcmil CU. INDEX 31	PPG31
P44ART	P44ARPI	1	.460 [12]	.530 [13]	BURNDY P44ART 1000 kcmil AL. INDEX 302	PPG302
P352	P352PI	2	.735 [19]	.498 [13]	BURNDY P352 INDEX 352	PPG352
P579	P579PI	2	.720 [18]	.550 [14]	BURNDY P579 INDEX 579	PPG579
P40RT	P40RPI	1	.330 [8]	.730 [19]	BURNDY P40RT 800 kcmil CU. INDEX 25	PPG25

REV.	DATE	DESCRIPTION	ECO	BY	C.H.K.
B	06/11/2014 09:37:00 AM	DRAWING UPDATED AS PER MARKUP	36407	GN	MB

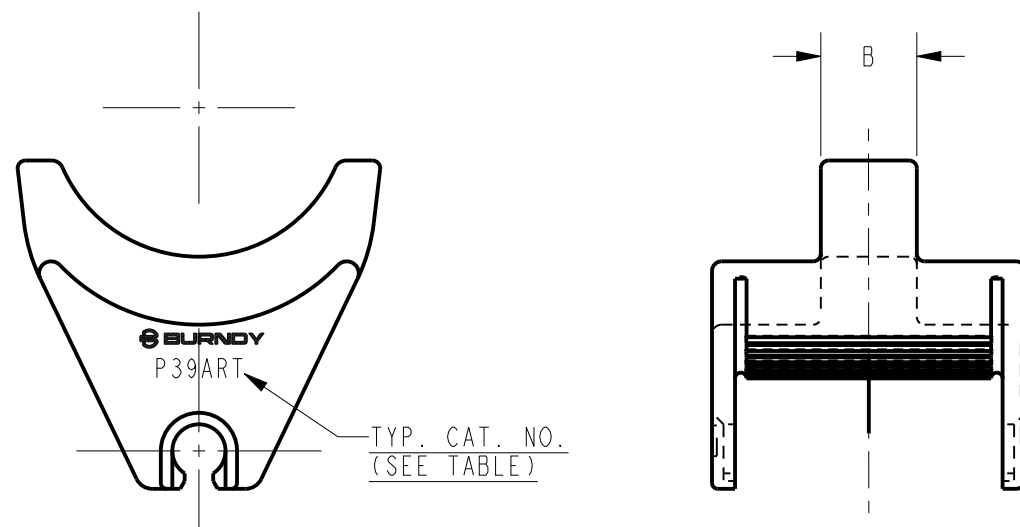


FIG. - 1

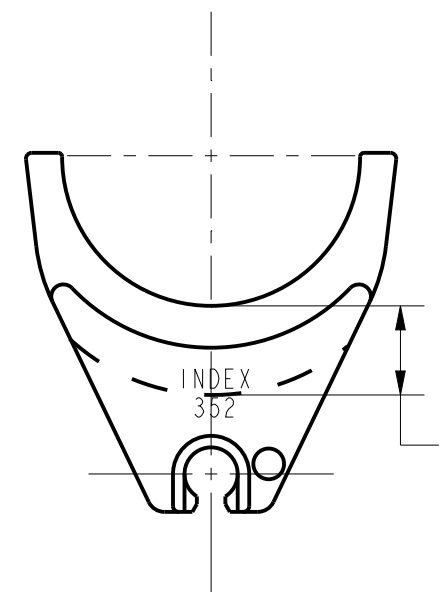
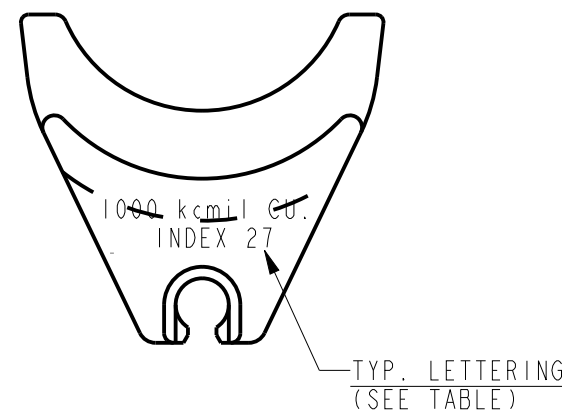


FIG. - 2

NOTES:

1. CAT. NO. P(SEE TABLE) CONSISTS OF TWO P(SEE TABLE) PI SINGLE DIES AS SHOWN.
2. DIMENSIONS IN INCH EXCEPT AS NOTED.
3. MATERIAL: STAINLESS STEEL
4. DIMENSIONS IN BRACKETS [] ARE IN MILLIMETERS ROUNDED OFF TO THE NEAREST MILLIMETER, UNLESS OTHERWISE SPECIFIED AND ARE FOR REFERENCE ONLY.

TO ORDER BURNDY® PRODUCTS CALL		CIRCULAR NON-BUTTING TWIN DIE	
UNITED STATES: 1-800-346-4175 (LONDONDERRY, NH)		ITEM NO: - -	
CANADA: 1-800-361-6975 (QUEBEC) 1-800-387-6487 (ALL OTHER PROVINCES)		CAT. NO: P - - (TABLE)	
FOR PRODUCT INFO: http://www.burndy.com		DRAWN BY: FGM 08/01/1972	
		CHECKER: FGM 08/01/1972	
		DSN APPVL: RB 08/03/1972	
		MFG APPVL: -- --	
		QA APPVL: -- --	
		MKT APPVL: -- --	
		SCALE: 1:1	
		DRAWING NO	
		REV	
		PROJECT #: --	
		SIZE	
		B	
		SD073476-01	
		SHEET 1 OF 1	
		B	
		REL LEVEL: Released	

REV: PE0200