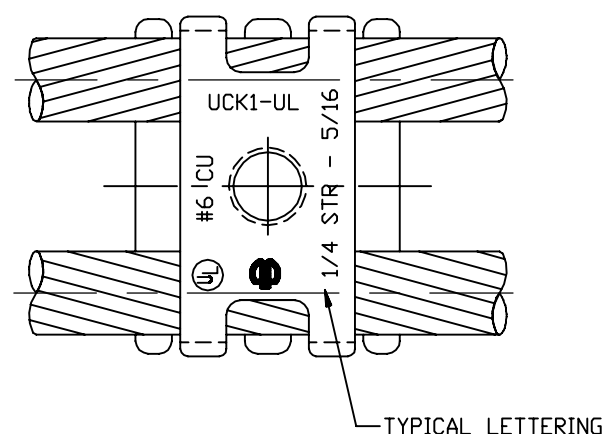
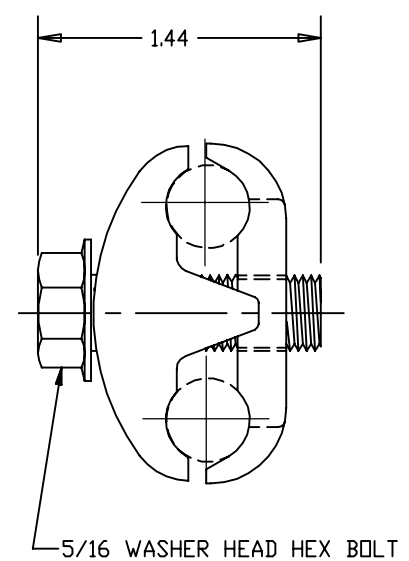
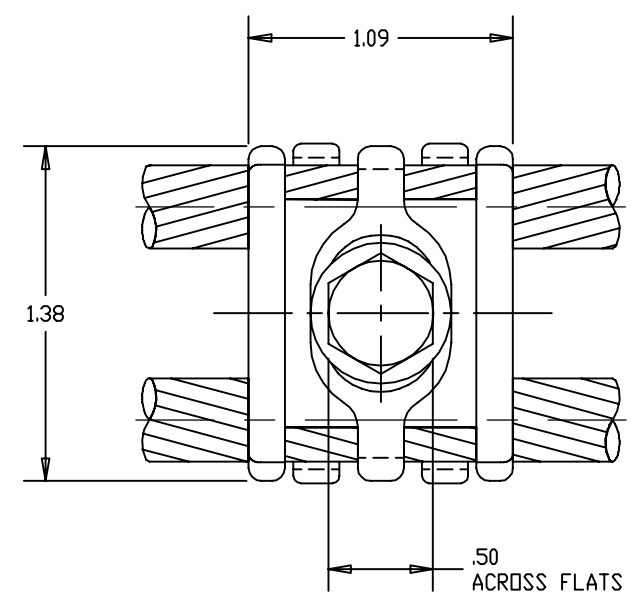


DRAWING NO.
SD210746

CATALOG NUMBER	CONDUCTOR RANGE ⁵		BOLT SIZE	WRENCH SIZE	RECOMMENDED TORQUE (lb-in)	SIMILAR CONNECTOR ⁶
	GROOVE A	GROOVE B				
UCK1-UL ²	1/4 TO 5/16" GALVANIZED ST. GUY WIRE	#6 AWG SOL/STR COPPER	5/16-18	1/2	180	UCK1
UCK2-UL ³	1/4 TO 5/16" GALVANIZED ST. GUY WIRE	#6 AWG SOL/STR COPPER	5/16-18	1/2	180	UCK2
UCK3-UL ⁴	#6 TO 2 AWG SOL/STR COPPER CONDUCTOR	#6 TO #2 AWG SOL/STR COPPER CONDUCTOR	5/16-18	1/2	180	UCK3

REV.	DATE	DESCRIPTION	ECO	BY	C'K'D.
C	07/22/14	UPDATED AS PER MARKUP	36927	SAV	MB



NOTES:

1. MATERIAL: BODY - CAST COPPER ALLOY.
SCREW - 304 STAINLESS STEEL
- ² CATALOG NO. UCK1-UL: - CONNECTOR ELECTRO-TIN PLATED WITH PLATING REMOVED FROM GROOVE 'B'.
- ³ CATALOG NO. UCK2-UL: - CONNECTOR ELECTRO-TIN PLATED.
- ⁴ CATALOG NO. UCK3-UL: - CONNECTOR UNPLATED.
- ⁵ CONNECTORS ARE LISTED TO UL STANDARD 467, GROUNDING AND BONDING EQUIPMENT, FILE E9999, FOR SPECIFIED CONDUCTOR RANGES.
- ⁶ CONNECTORS ARE SIMILAR AND ACCOMMODATE THE SAME CONDUCTOR RANGE AS THE 'UCK_-UL' TYPE CONNECTORS BUT ARE NOT LISTED TO UL STANDARD 467, GROUNDING AND BONDING EQUIPMENT.

TO ORDER BURNDY® PRODUCTS CALL
 UNITED STATES:
 1-800-346-4175 (LONDONDERRY, NH)
 CANADA:
 1-800-361-6975 (QUEBEC)
 1-800-387-6487 (ALL OTHER PROVINCES)
 FOR PRODUCT INFO: <http://www.burndy.com>

CLAMP, JUMPER	
ITEM NO: --	
CAT NO: UCK1-UL, UCK2-UL, UCK3-UL	
SCALE: NONE	
DRAWN BY: R. PERREault	11/25/96
CHECKER: K. HENRY	11/26/96
DSN APPV: K. MELLO	11/26/96
MFG APPV: --	
QC APPV: D. VARIO	11/26/96
MKT APPV: G. SHWBLER	11/26/96
PROD FAN: --	
PROJECT #: --	
DOCUMENT TYPE: --	
REL LEVEL: AutoCAD	



DRAWING NO	REV
SD210746	C

SHEET 1 OF 1