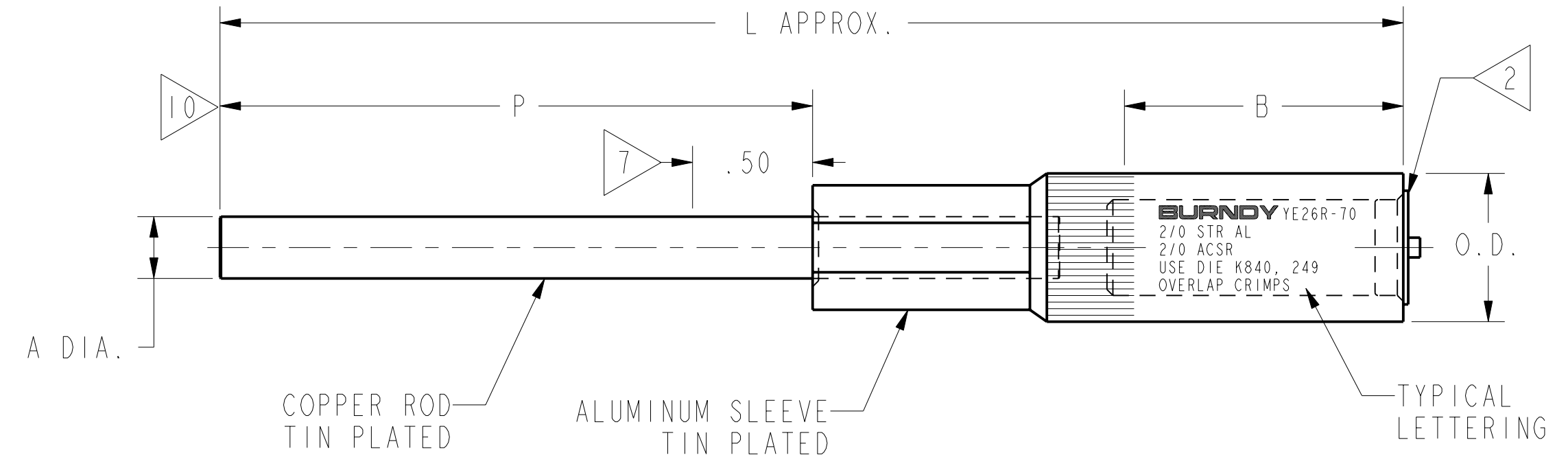


CATALOG NUMBER	ACCOMMODATES				A DIA.	B	L APPROX.	O.D.	P	TOOL INDEX NUMBER	INSTALLATION DATA					CAPLUG COLOR CODE	
	ALUMINUM		A.C.S.R.								HYTOOL™ & HYPRESS™ DIE SET OVERLAP CRIMPS						
	AWG.kcmil	STR	AWG.kcmil	STR							MD6	Y35, Y750, BAT35 BAT750 & PAT750	Y35/Y46	Y48BH	Y60BH		
YE6R25	#6 (.184)	7	#6 (.198)	6-1	.204	.91	4.62	.65	2.50	BG 5/8-1 243 8A	FIXED W-BG W243	U-BG UK5/8-1T U243	U-BG UK5/8-1T U243	C243	L243	BLUE	
YE6R40	#4 (.204)	7	#4 (.250)	6-1	.204	.91	6.12	.65	4.00								
YE4R25	#4 (.232)	7	#4 (.257)	7-1	.204	.91	4.62	.65	2.50								
YE4R30	#2 (.258)	7	#4 (.257)	7-1	.204	.91	5.12	.65	3.00								
YE4R40	#2 (.258)	7	#4 (.257)	7-1	.204	.91	6.12	.65	4.00								
YE4R60	#3 (.260)	7	#4 (.257)	7-1	.204	.91	8.12	.65	6.00								
YE2R25	#1 (.328)	7	#2 (.316)	6-1	.250	.91	4.62	.65	2.50								
YE2R40	#2 (.292)	7	#2 (.325)	7-1	.250	.91	6.12	.65	4.00								
YE2R70	#2 (.292)	7	#2 (.325)	7-1	.250	.91	9.12	.65	7.00								
YE2RG6	#1 SOL (.289) #2 (.292) #1 (.325)	7 7 7	#2 (.325)	6-1 7-1	.250	1.88	9.50	.91	5.50	840 249 11A	---	UK840T U249	UK840T U249	C249	---	RED	
YE25R25	1/0 (.368)	7	1/0 (.398)	6-1	.250	.91	4.62	.65	2.50	BG 5/8-1 243 8A	FIXED W-BG W243	U-BG UK5/8-1T U243	U-BG UK5/8-1T U243	C243	L243	9	YELLOW
YE25R325							5.38		3.25								
YE25R40							6.12		4.00								
YE25R70							9.12		7.00								
YE26R25	2/0 (.414) 2/0 (.419)	7 19	2/0 (.447)	6-1	.324	1.54	6.00	.91	2.50	840 249 11A	W-K840 W249	U-K840 U249	U-K840 U249	C249	---	---	GRAY
YE26R40							7.50		4.00								
YE26R60							9.50		6.00								
YE26R70							10.50		7.00								
YE27R40	3/0 (.464) 3/0 (.470)	7 19	3/0 (.502)	6-1	.324	1.54	7.50	.91	4.00	840 249 11A	W-K840 W249	U-K840 U249	U-K840 U249	C249	L249	9	BLACK
YE27R55							9.00		5.50								
YE27R60							9.50		6.00								
YE27R70							10.50		7.00								
YE28R60	4/0 (.522) 4/0 (.528)	7 19	4/0 (.563)	6-1	.375	1.54	9.50	.91	6.00	840 249 11A	W-K840 W249	U-K840 U249	U-K840 U249	C249	---	---	PINK
YE28R30							6.50		3.00								
YE28R70							10.50		7.00								
YE28R100							10.50		7.00								
YE30R40	266.8 (.586) 336.4 (.666)	7 19	266.8 (.642) 266.8 (.608)	26-7 18-1	.460	2.15	8.37	1.25	4.00	---	---	---	---	C317 C705	---	---	BLUE
YE30R55							10.16		5.50								
YE30R60							10.66		6.00								
YE32R40							8.50		4.00								
YE32R70	350 (.679) 350 (.681) 397.5 (.724)	19 37 19	336.4 (.681) 336.4 (.721)	26-7 18-1	.460	2.15	11.66	1.25	7.00	317 705 1-1/8	---	---	C317 C705	---	---	GREEN	
YE32R100	400 (.728)	37	336.4 (.721)	18-1			14.66		10.00								
YE36R70	477 (.793) 477 (.795) 500 (.811) 500 (.813) 500 (.815)	19 37 19 37 61	397.5 (.783) 397.5 (.806) 477 (.814)	26-7 30-7 18-1			11.66		7.00								
YE36R120	500 (.813) 500 (.815)	37 61	477 (.814)	18-1			2.15		16.66								12.00
YE36R60	477,500	--	477 (.814)	18-1	.560	2.10	10.62	1.25	6.00	---	---	---	---	---	---	PINK	



- NOTES:
- MATERIAL: AS NOTED.
  - CONNECTOR SUPPLIED PRE FILLED WITH PENETROX™ & SEALED. PENETROX™ IS COMPATIBLE WITH CABLE INSULATION.
  - CATALOG # PT6515 ADAPTOR IS REQUIRED TO USE "U" DIES IN Y45 SERIES TOOLS.
  - CATALOG # PUADP-1 ADAPTOR IS REQUIRED TO USE "U" DIES IN Y46 SERIES TOOLS.
  - MULTIPLE CRIMP DIE SET MAKES MORE THAN ONE CRIMP PER TOOL COMPRESSION.
  - SPACE CRIMPS.
  - PLUG MAY BE BENT FOR INSTALLATION CONVENIENCE. IT IS RECOMMENDED THAT BENDING TAKE PLACE BEYOND THIS POINT.
  - STANDARD O.D. HYPLUGS™ ONLY. (ALL DESIGNS)
- 9 PLUGS COLOR CODED TO CONDUCTOR SIZE.
- 10 SUFFIX NO. FOLLOWING LETTER "R" IN THE CATALOG NUMBER INDICATES THE EXPOSED LENGTH OF COPPER ROD EXTENDING FROM THE ALUMINUM BARREL. EG: YE25R60 INDICATES "P" = 6.00".

TO ORDER BURNDY® PRODUCTS CALL		HYPLUG™ CONNECTOR-ALUMINUM	
UNITED STATES 1-800-346-4175 (LONDONDERRY, NH)		ITEM NO: N/A	CAT. NO: YE-R (TABLE)
CANADA: 1-800-361-6975 (QUEBEC) 1-800-387-6487 (ALL OTHER PROVINCES)		DRAWN BY: EWB 12/21/67	CHECKER: MAP 01/23/68
FOR PRODUCT INFO: <a href="http://www.burndy.com">http://www.burndy.com</a>		DSN APPVL: W ZAHLMAN 08/24/18	MFG APPVL: --
		GA APPVL: T WATTS 08/24/18	MKT APPVL: J HALL 08/28/18
		PROD FAM: --	SCALE: 2:1
		PROJECT #: --	SIZE: D
		DOCUMENT TYPE: Sales	SE065168
		REL LEVEL: Released	SHEET 1 OF 2

REV: PEO200