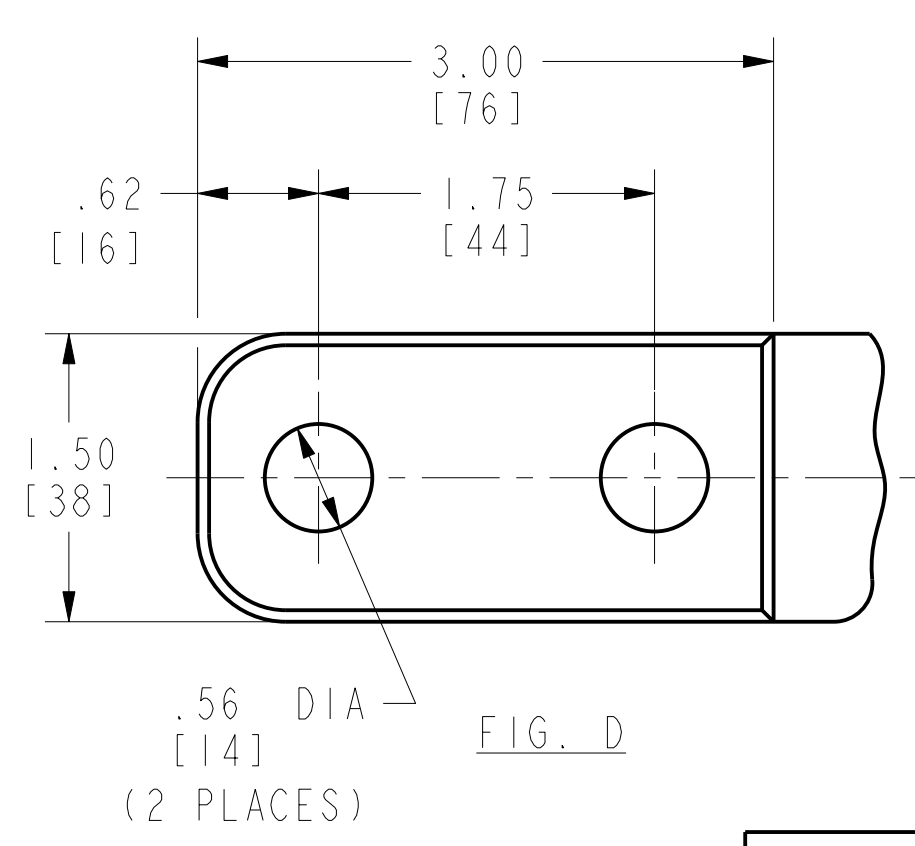
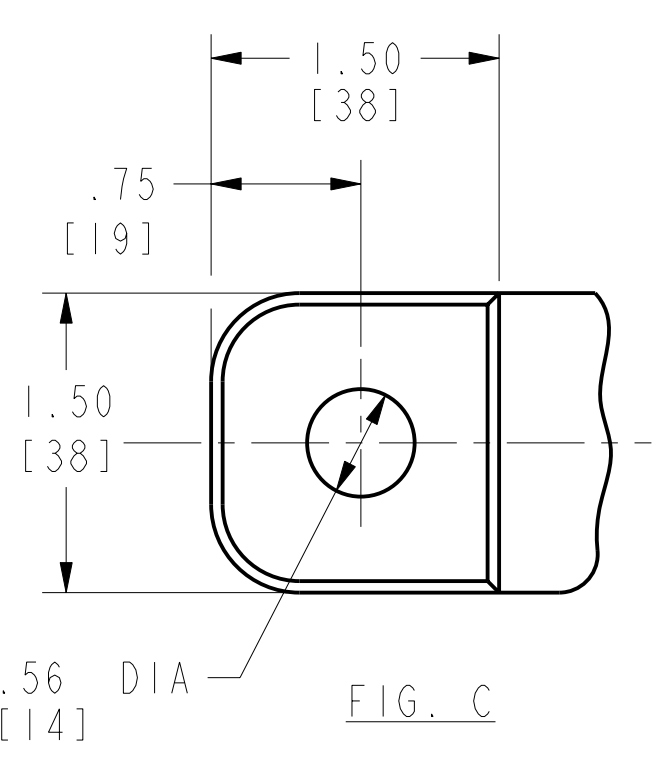
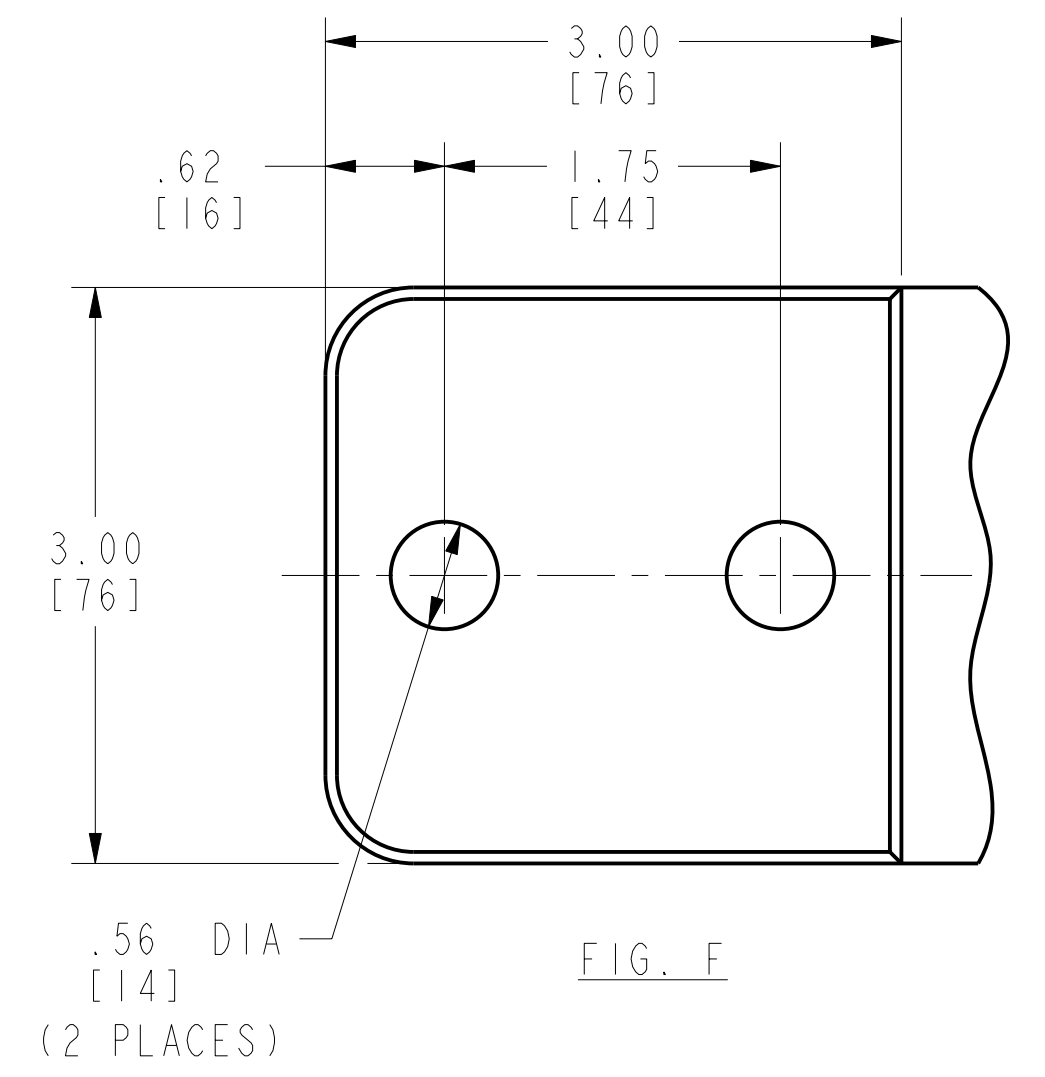
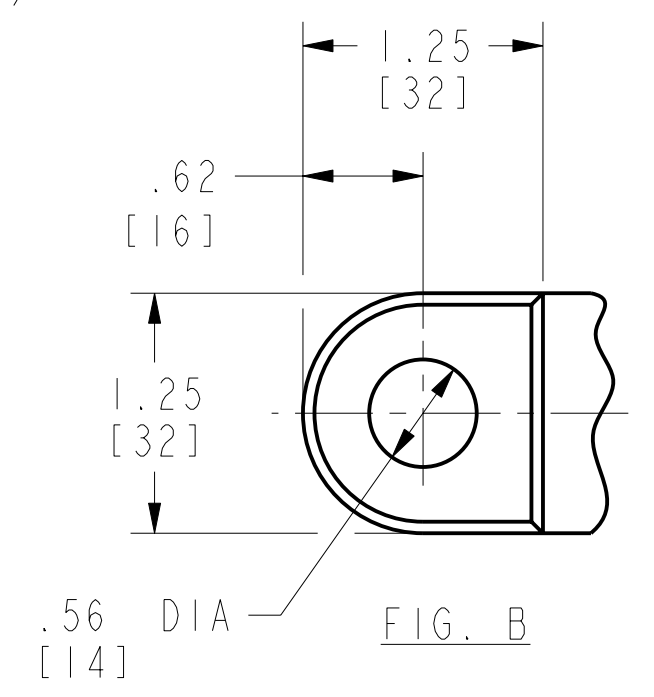
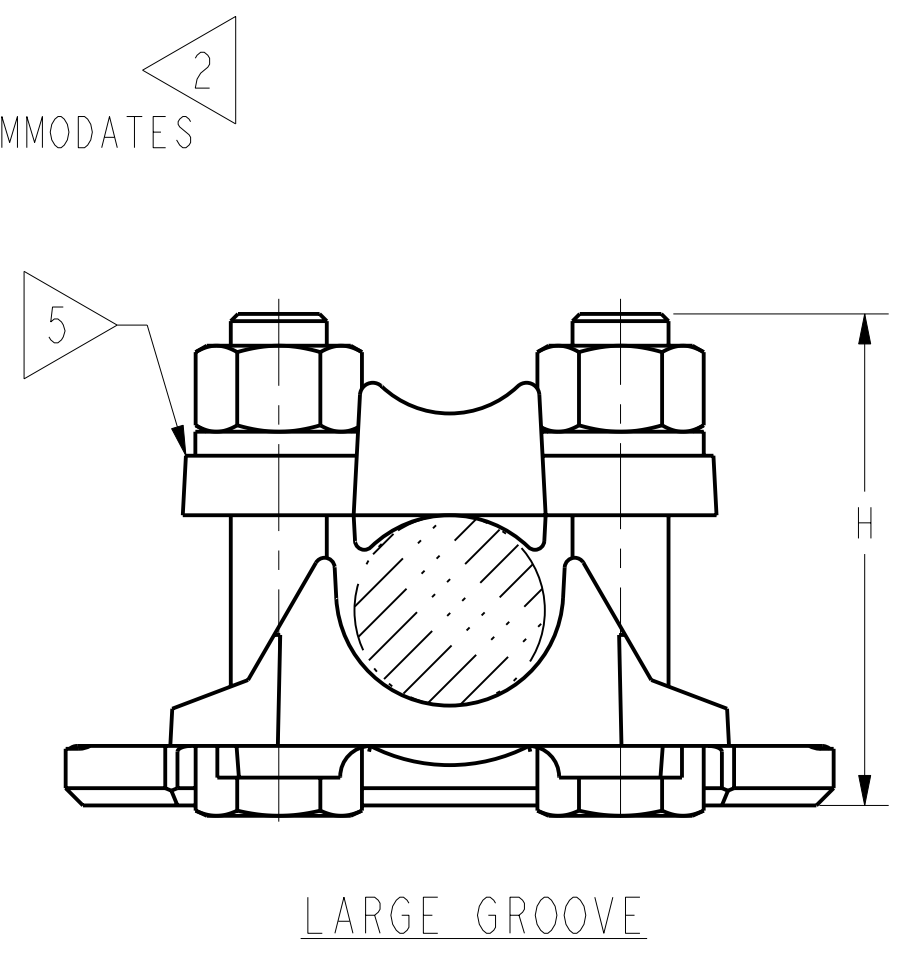
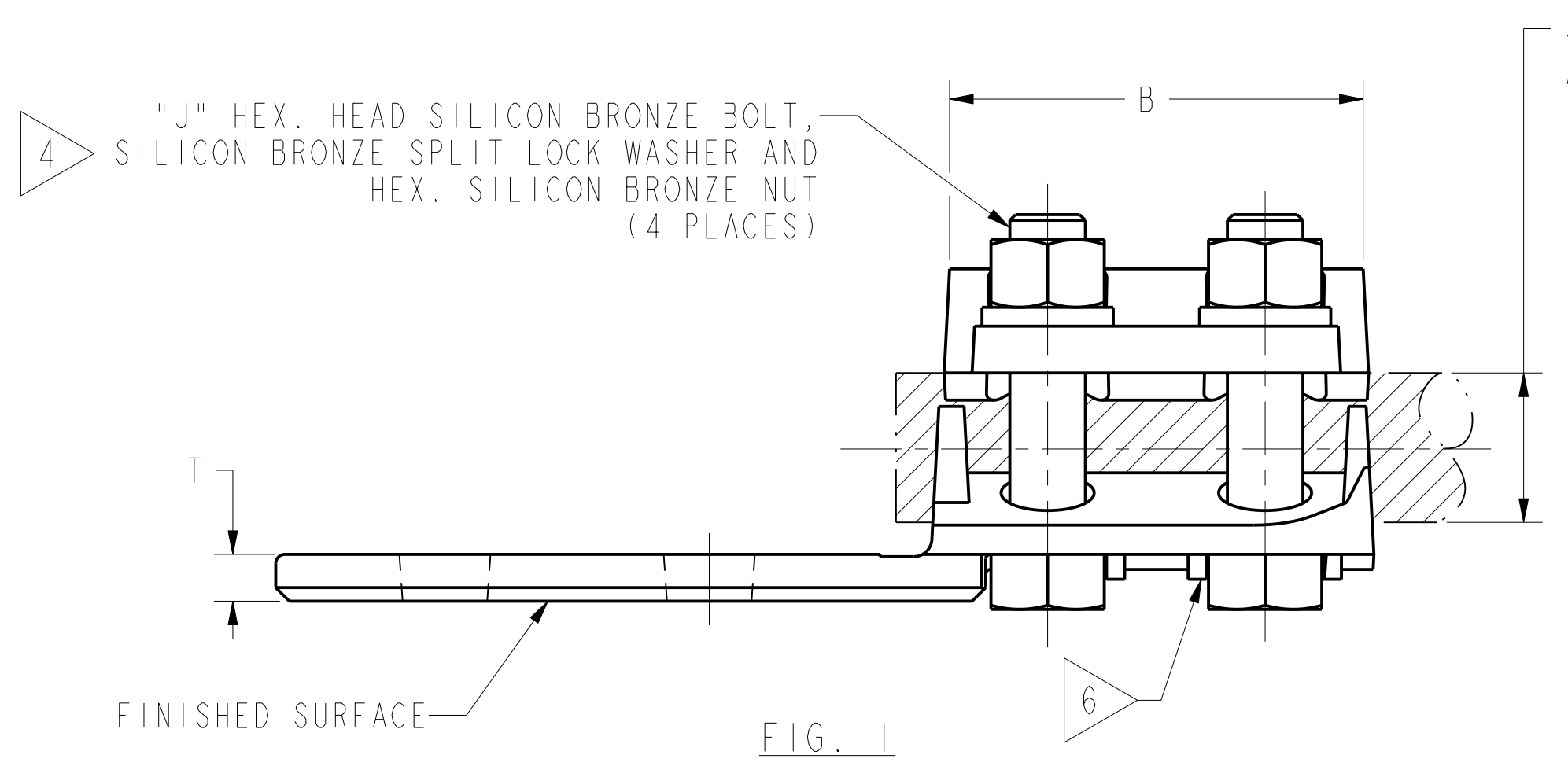
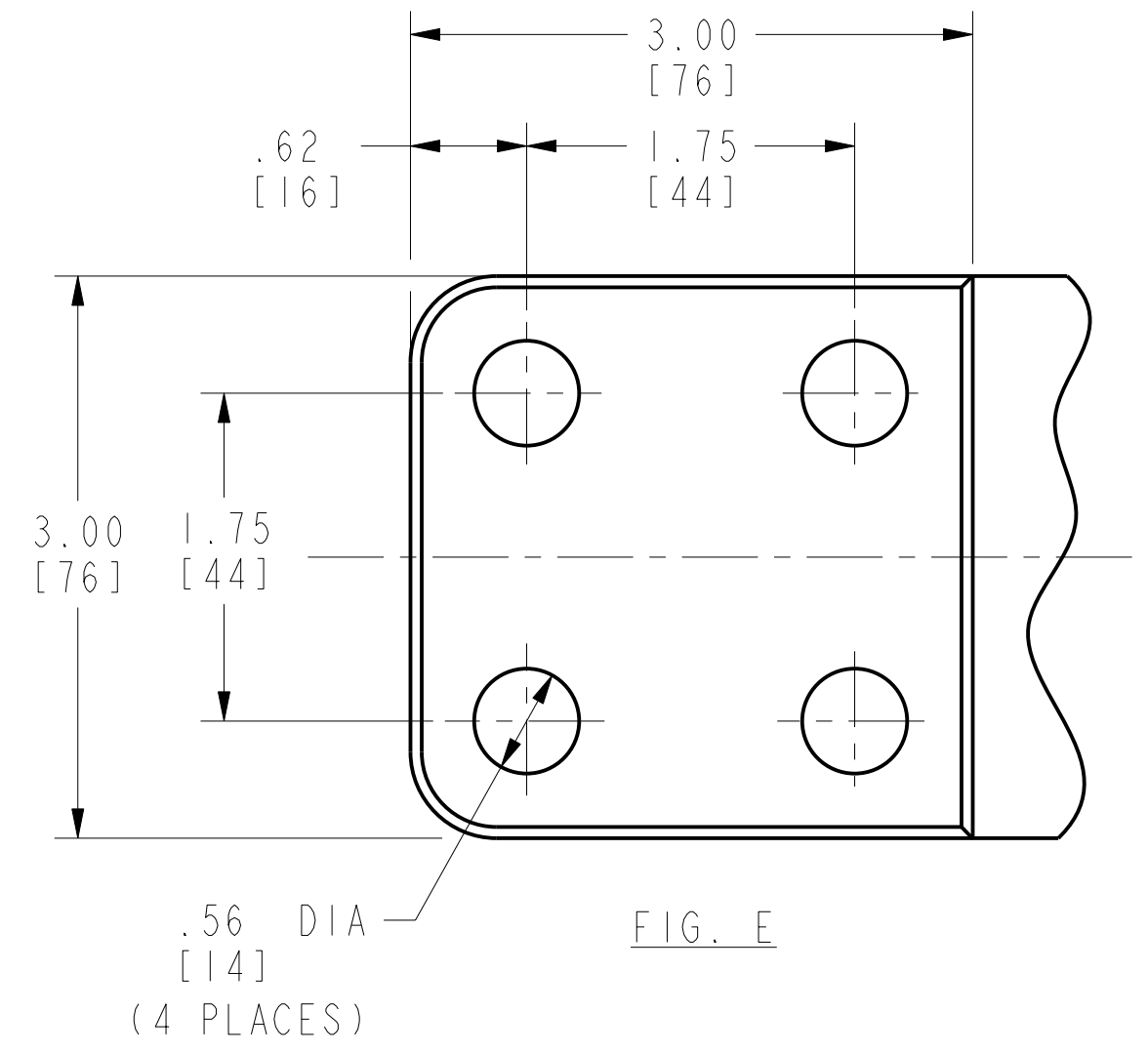
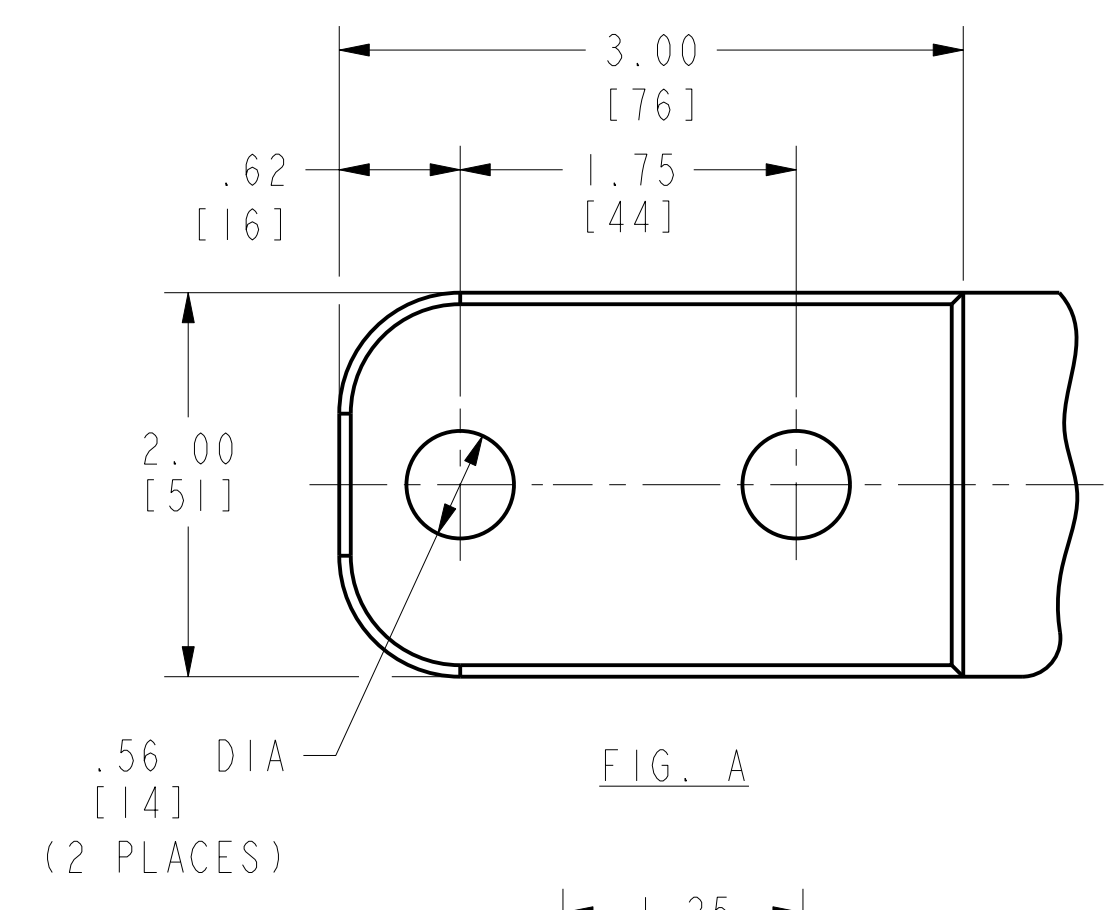
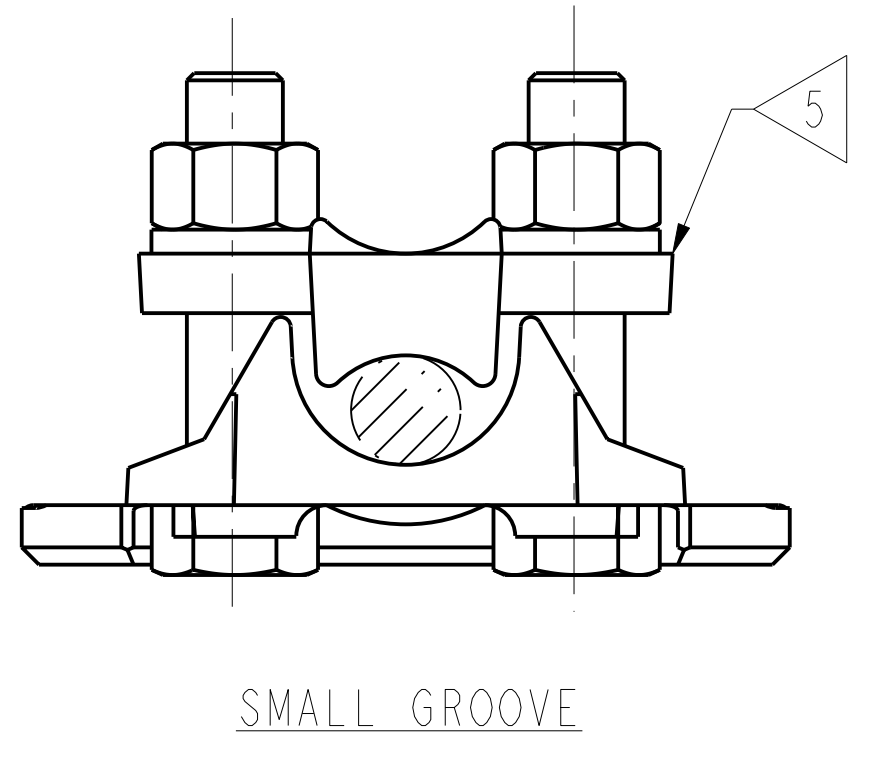
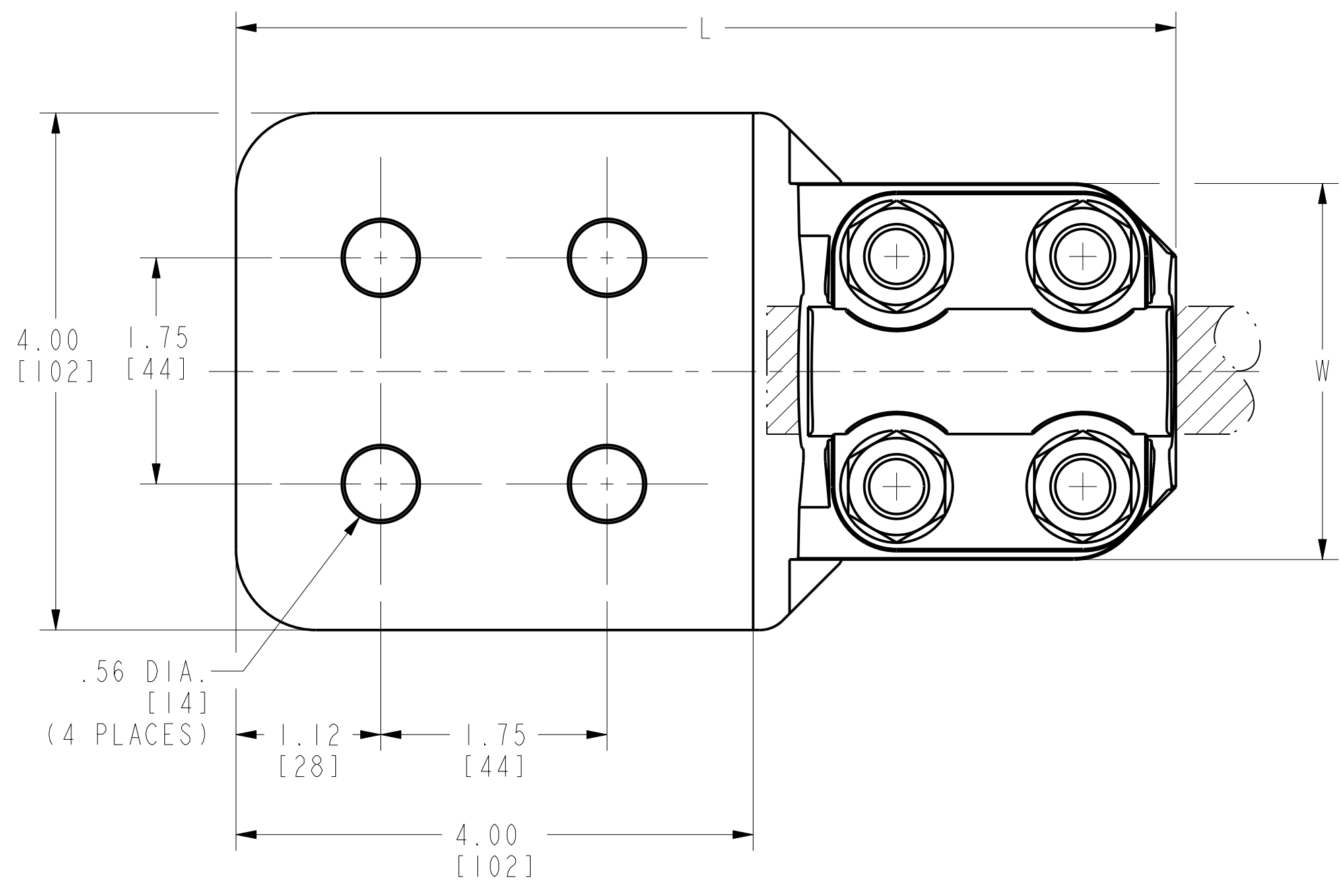


REV	DATE	DESCRIPTION	ECO	BY	C'H'K.
E	10/27/2015 00:00:00 AM	DRAWING RELEASED	41991	MM	NJS



NOTES:

- 1 MATERIAL: CAST COPPER ALLOY.
- 2 ACCOMMODATES: SEE TABLE
- 3 DIMENSIONS IN BRACKET [ ] DENOTES METRIC UNITS [SI UNITS] AND ARE ROUNDED TO THE NEAREST WHOLE NUMBER UNLESS OTHERWISE SPECIFIED THESE UNITS SHALL BE USED FOR REFERENCE ONLY.
- 4 NOMINAL BOLT INSTALLATION TORQUE:  
 3/8" HEX. GALVANIZED STEEL, STAINLESS STEEL & SILICON BRONZE HARDWARE : 240 LB-IN [30 Nm].  
 1/2" HEX. GALVANIZED STEEL, STAINLESS STEEL & SILICON BRONZE HARDWARE : 480 LB-IN [55 Nm].  
 5/8" HEX. GALVANIZED STEEL, STAINLESS STEEL & SILICON BRONZE HARDWARE : 660 LB-IN [75 Nm].
- 5 COMPLETE CABLE RANGE MAY BE ACCOMMODATED BY REVERSING CAP.
- 6 HEX BOLTS CAPTURED TO PREVENT TURNING DURING INSTALLATION.
- 7 CATALOG NUMBER NAH4844NTMH2 INCLUDES THE NAH4844N TERMINAL SHOWN AND THE TMH2 KIT CONSISTS OF:  
 (4) 1/2 X 1.75 LONG HEX. HEAD BOLTS  
 (4) 1/2 HEX. NUTS  
 (4) 1/2 SPLIT LOCK WASHERS
- 8 THE CONCEPT SHOWN INCORPORATES DESIGN PRINCIPLES WHICH PERMIT OPERATION AT A VOLTAGE GRADIENT NORMALLY ASSOCIATED WITH 230KV RMS OPERATION PHASE TO PHASE.
- 9 PLATING SPECIFICATIONS FOR CATALOGS SUFFIX :  
 W = TIN PLATED BODY, CAP AND HARDWARE.  
 TN = TIN PLATE BODY AND CAP ONLY. HARDWARE IS NOT PLATED.  
 SV = SILVER PLATE BODY & CAP.  
 CONTACT BURNDY LLC FOR OTHER PLATING OPTIONS.
- 10 SUFFIX "Q" DENOTES PAD IS FINISHED ON BOTH SIDES.
- 11 OPTIONAL HARDWARE VARIATIONS ARE AVAILABLE BY ADDING THE FOLLOWING SUFFIX TO THE CATALOG NUMBER.  
 GS = GALVANIZED STEEL  
 SS = STAINLESS STEEL  
 EXAMPLE: NAH4434NGS
- 12 MARKING:  
 BURNDY  
 CATALOG NUMBER (---)  
 ACCOMMODATES (---)  
 EXAMPLE:  
 BURNDY  
 NAH342N  
 1/0 SOL - 500 Kcmil

TO ORDER BURNDY® PRODUCTS CALL		TERMINAL	
UNITED STATES 1-800-346-4175 (LONDONDERRY, NH)		ITEM NO: SEE TABLE	
CANADA: 1-800-387-6487 (ALL OTHER PROVINCES)		CAT. NO: NAS-N, NAH-N (TABLE)	
FOR PRODUCT INFO: <a href="http://www.burndy.com">http://www.burndy.com</a>		DRAWN BY: AJM 12/02/83	
		CHECKER: R LAVOIE 06/02/12	
		DSN APPVL: R LAVOIE 12/16/15	
		MFG APPVL: T WAWRZYNIAK 11/10/15	
		GA APPVL: J HILLMAN 11/12/15	
		MKT APPVL: B KEENAN 11/19/15	
		PROD FAM: SUBSTATION	
		DRAWING NO: SE079584	
		PROJECT #: --	
		SIZE: D	
		DOCUMENT TYPE: Sales	
		REL LEVEL: Released	
		SCALE: NTS	
		SHEET 1 OF 2	

REV: PEC200

ITEM NUMBER	CATALOG NUMBER	FIG. NO.	COMMERCIAL COPPER CABLE RANGE			METRIC COPPER CABLE RANGE			B	H	"J" DIA.	L	T	W						
			COMPLETE CABLE RANGE	SMALL GROOVE	LARGE GROOVE	COMPLETE CABLE RANGE	SMALL GROOVE	LARGE GROOVE												
290SUO	NAS29N	1B	6 SOL. (.162 DIA.) TO 250 kcmil (.575 DIA.)	6 SOL. (.162 DIA.) TO 1/0 STR. (.372 DIA.)	2/0 STR. (.420 DIA.) TO 250 kcmil (.575 DIA.)	10mm <sup>2</sup> (4.12mm DIA.) TO 120mm <sup>2</sup> (14.40mm DIA.)	10mm <sup>2</sup> (4.12mm DIA.) TO 50mm <sup>2</sup> (9.27mm DIA.)	70mm <sup>2</sup> (10.92mm DIA.) TO 120mm <sup>2</sup> (14.40mm DIA.)	2.38 [61]	1.80 [46]	3/8"-16	3.88 [99]	.25 [6]	2.00 [51]						
10079754	NAS29NQ	1B							5.62 [143]											
2901FO	NAS292N	1D							1/0 SOL. (.325 DIA.) TO 500 kcmil (.813 DIA.)	1/0 SOL. (.325 DIA.) TO 4/0 STR. (.529 DIA.)	250 kcmil (.575 DIA.) TO 500 kcmil (.813 DIA.)	50mm <sup>2</sup> (9.27mm DIA.) TO 240mm <sup>2</sup> (20.35mm DIA.)	50mm <sup>2</sup> (9.27mm DIA.) TO 95mm <sup>2</sup> (12.80mm DIA.)	120mm <sup>2</sup> (14.40mm DIA.) TO 240mm <sup>2</sup> (20.35mm DIA.)	2.62 [67]	2.12 [54]	1/2"-13	5.88 [149]	.25 [6]	2.44 [62]
290279	NAH2934N	1E																		
2900KU	NAH292N	1D																		
10079059	NAH292NQ	1D																		
290280	NAH2922N	1A																		
290017	NAS2934N	1E																		
290SUR	NAS34N	1C	2/0 STR. (.420 DIA.) TO 800 kcmil (1.031 DIA.)	2/0 STR. (.420 DIA.) TO 500 kcmil (.813 DIA.)	500 kcmil (.813 DIA.) TO 800 kcmil (1.031 DIA.)	70mm <sup>2</sup> (10.92mm DIA.) TO 400mm <sup>2</sup> (26.10mm DIA.)	70mm <sup>2</sup> (10.92mm DIA.) TO 240mm <sup>2</sup> (20.35mm DIA.)	240mm <sup>2</sup> (20.35mm DIA.) TO 400mm <sup>2</sup> (26.10mm DIA.)	2.38 [61]	2.05 [52]	3/8"-16	4.12 [105]	.25 [6]	2.20 [56]						
2901HQ	NAS342N	1A							5.62 [143]											
2900KK	NAH342N	1A							2.62 [67]	2.38 [61]	1/2"-13	5.88 [149]	.31 [8]	2.56 [65]						
2901LJ	NAS3434N	1E							2.38 [61]	2.05 [52]	3/8"-16	5.62 [143]								
2900KJ	NAH3434N	1E	2.62 [67]	2.38 [61]	1/2"-13	5.88 [149]	.25 [6]	2.56 [65]												
290STN	NAS402N	1A	1000 kcmil (1.152 DIA.) TO 1500 kcmil (1.442 DIA.)	---	1000 kcmil (1.152 DIA.) TO 1500 kcmil (1.442 DIA.)	500mm <sup>2</sup> (29.30mm DIA.) TO 800mm <sup>2</sup> (36.90mm DIA.)			---	500mm <sup>2</sup> (29.30mm DIA.) TO 800mm <sup>2</sup> (36.90mm DIA.)	2.30 [58]	3/8"-16	5.88 [149]	.38 [10]	2.44 [62]					
290STU	NAH402N	1A					2.62 [67]	1/2"-13												
290STP	NAS4034N	1E					2.30 [58]	3/8"-16			.31 [8]	2.44 [62]								
2901KV	NAH4034N	1E					2.62 [67]	1/2"-13												
290STO	NAS4044N	1					2.30 [58]	3/8"-16			.31 [8]	2.44 [62]								
290STV	NAH4044N	1					2.62 [67]	1/2"-13												
2900NC	NAH442N	1A	500 kcmil (.813 DIA.) TO 2000 kcmil (1.632 DIA.)	500 kcmil (.813 DIA.) TO 1500 kcmil (1.412 DIA.)	1500 kcmil (1.442 DIA.) TO 2000 kcmil (1.632 DIA.)	240mm <sup>2</sup> (20.35mm DIA.) TO 1000mm <sup>2</sup> (41.10mm DIA.)	240mm <sup>2</sup> (20.35mm DIA.) TO 800mm <sup>2</sup> (36.90mm DIA.)	800mm <sup>2</sup> (36.90mm DIA.) TO 1000mm <sup>2</sup> (41.10mm DIA.)	2.88 [73]	2.62 [67]	6.12 [155]	.44 [11]	2.88 [73]							
2900KT	NAH4434N	1E							7.12 [181]	.31 [8]										
290SVV	NAH4444N	1							1000 kcmil (1.152 DIA.) TO 1500 kcmil (1.442 DIA.)	---	1000 kcmil (1.152 DIA.) TO 1500 kcmil (1.442 DIA.)	500mm <sup>2</sup> (29.30mm DIA.) TO 800mm <sup>2</sup> (36.90mm DIA.)	---	500mm <sup>2</sup> (29.30mm DIA.) TO 800mm <sup>2</sup> (36.90mm DIA.)	3.06 [78]	2.88 [73]	1/2"-13	6.31 [160]	.50 [13]	3.19 [81]
290STW	NAH462N	1A													7.31 [186]	.38 [10]				
290STX	NAH4634N	1E	500 kcmil (.813 DIA.) TO 2000 kcmil (1.632 DIA.)	500 kcmil (.813 DIA.) TO 1500 kcmil (1.412 DIA.)	1500 kcmil (1.442 DIA.) TO 2000 kcmil (1.632 DIA.)	240mm <sup>2</sup> (20.35mm DIA.) TO 1000mm <sup>2</sup> (41.10mm DIA.)	240mm <sup>2</sup> (20.35mm DIA.) TO 800mm <sup>2</sup> (36.90mm DIA.)	800mm <sup>2</sup> (36.90mm DIA.) TO 1000mm <sup>2</sup> (41.10mm DIA.)	3.25 [83]	3.12 [79]	6.50 [165]	.50 [13]	3.38 [86]							
290100	NAH4644N	1							7.50 [191]	.44 [11]										
290STY	NAH482N	1A	2000 kcmil (1.632 DIA.) TO 2500 kcmil (1.824 DIA.)	---	2000 kcmil (1.632 DIA.) TO 2500 kcmil (1.824 DIA.)	1000mm <sup>2</sup> (41.10mm DIA.) TO 1250mm <sup>2</sup> (46.30mm DIA.)	---	1000mm <sup>2</sup> (41.10mm DIA.) TO 1250mm <sup>2</sup> (46.30mm DIA.)	3.75 [95]	3.81 [97]	5/8"-11	7.12 [181]	.63 [16]	3.96 [101]						
290SUA	NAH4834N	1E																		
290SUB	NAH4844N	1	2000 kcmil (1.632 DIA.) TO 2500 kcmil (1.824 DIA.)	---	2000 kcmil (1.632 DIA.) TO 2500 kcmil (1.824 DIA.)	1000mm <sup>2</sup> (41.10mm DIA.) TO 1250mm <sup>2</sup> (46.30mm DIA.)	---	1000mm <sup>2</sup> (41.10mm DIA.) TO 1250mm <sup>2</sup> (46.30mm DIA.)	3.75 [95]	3.81 [97]	5/8"-11	7.12 [181]	.63 [16]	3.96 [101]						
290SWC	NAH48634N	1E																		
290237	NAH4862N	1F	2000 kcmil (1.632 DIA.) TO 2500 kcmil (1.824 DIA.)	---	2000 kcmil (1.632 DIA.) TO 2500 kcmil (1.824 DIA.)	1000mm <sup>2</sup> (41.10mm DIA.) TO 1250mm <sup>2</sup> (46.30mm DIA.)	---	1000mm <sup>2</sup> (41.10mm DIA.) TO 1250mm <sup>2</sup> (46.30mm DIA.)	3.75 [95]	3.81 [97]	5/8"-11	7.12 [181]	.63 [16]	3.96 [101]						
290237	NAH4862N	1F																		

REV: PEC200

FOR NOTES SEE SHEET 1 OF 2

TO ORDER BURNDY® PRODUCTS CALL UNITED STATES 1-800-346-4175 (LONDONDERRY, NH)  CANADA: 1-800-361-6975 (QUEBEC) 1-800-387-6487 (ALL OTHER PROVINCES) FOR PRODUCT INFO: <a href="http://www.burndy.com">http://www.burndy.com</a>	TERMINAL	
	ITEM NO:	SEE TABLE
	CAT. NO:	NAS-N, NAH-N (TABLE)
	DRAWN BY:	AJM 12/02/83
	CHECKER:	R LAVOIE 06/02/12
	DSN APPVL:	R LAVOIE 12/16/15
	MFG APPVL:	T HAWRZYNIAK 11/10/15
	QA APPVL:	J HILLMAN 11/12/15
	MKT APPVL:	B KEENAN 11/19/15
	PROD FAM:	SUBSTATION
PROJECT #:	---	
DOCUMENT TYPE:	Sales	
REL LEVEL:	Released	
SCALE:	NTS	
DRAWING NO:	SE079584	
REV:	E	
SHEET	2 OF 2	