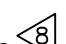
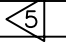


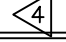
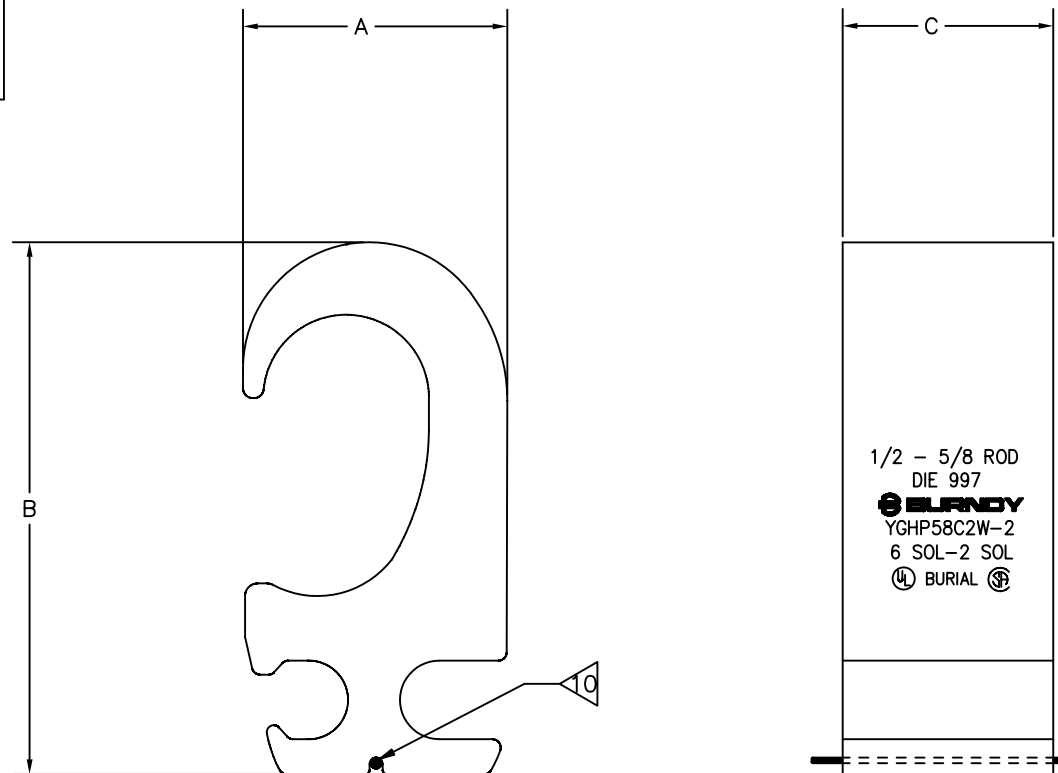


DRAWING NO.  
**SE207006-01**


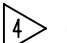
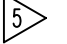
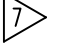
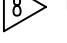
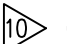
CATALOG NUMBER	GROUND ROD DIAMETER	GROUND ROD TYPE	TAP CONDUCTORS 	INSTALLATION TOOLING				DIE INDEX	DIMENSIONS		
				Y35/Y750		Y46 			A	B	C
				DIE NO.	NO. OF CRIMPS	DIE NO.	NO. OF CRIMPS				
YGHP58C2W-2 (UNPLATED)	1/2" - 5/8" [12.7 - 15.9]	COPPER CLAD STAINLESS STEEL	#6 SOL - #2 SOL [4.0mm - 6.5mm DIA]	U997	(1)	U997	(1)	997	.94 [23.9]	1.90 [48.3]	.75 [19.1]
 YGHP58C2W-2TN (TIN-PLATED)	1/2" - 5/8" [12.7 - 15.9]	COPPER CLAD STAINLESS STEEL GALVANIZED STEEL	1 OR 2 CONDUCTORS 								


REV.	DATE	DESCRIPTION	ECO	BY	C'K'D.
A	01/12/10	UPDATE NOTE 8 & ADD CSA TO VIEW PER M/U.	19491	RB	PL

PRECRIMP DIE CHART 		
GROUND ROD DIA.	PRECRIMP DIES	
1/2"	UPRECRIMP 12	U2CABT
5/8"	UPRECRIMP 58	



**NOTES:**

- MATERIAL: HIGH CONDUCTIVITY COPPER.
- GROOVES ARE FILLED WITH PENETROX™ AND INDIVIDUALLY SEALED IN CLEAR POLYETHYLENE SHEET.
-  TIN PLATING IS RECOMMENDED FOR USE ON GALVANIZED GROUND RODS.
-  GROUND ROD MUST BE PRE-CRIMPED WITH DIE U2CABT (INDEX NO. 348) OR UPRECRIMP DIES.
-  WHERE A U997 IS RECOMMENDED WITH THE Y46 HYPRESS,™ A PUADP-1 ADAPTOR MUST BE USED.
- THE DIE INDEX NUMBER IS EMBOSSED ON THE CONNECTOR AFTER COMPLETION OF CRIMP.
-  TAP SIDE ACCEPTS 1 OR 2 CONDUCTORS. UNUSED TAP LOCATIONS MAY REMAIN VACANT.
-  UL467 LISTED AND CSA 22.2 CERTIFIED FOR #6 THROUGH #2 SOL TAP CONDUCTORS IN BOTH TAP GROOVES.
- SUITABLE FOR DIRECT BURIAL IN EARTH OR CONCRETE.
-  COPPER WIRE IS ATTACHED TO EACH CONNECTOR TO ASSIST IN SECURING TAP CONDUCTORS PRIOR TO COMPRESSION.
- DIMENSIONS IN BRACKETS [ ] ARE IN MILLIMETERS ROUNDED OFF TO THE NEAREST MILLIMETER, UNLESS OTHERWISE NOTED, AND ARE FOR REFERENCE ONLY.

<p>TO ORDER BURNDY® PRODUCTS CALL UNITED STATES: 1-800-346-4175 (LONDONDERRY, NH) CANADA: 1-800-361-6975 (QUEBEC) 1-800-387-6487 (ALL OTHER PROVINCES) FOR PRODUCT INFO: <a href="http://www.burndy.com">http://www.burndy.com</a></p>		COMPRESSION GROUND TAP CONNECTOR	
		ITEM NO: N/A	
CAT NO: YGHP58C2W-2 & YGHP58C2W-2TN		SCALE: 1/1	
DRAWN BY: J. GAUDET 05/13/91			
CHECKER: KH 05/13/91			
DSN APPVL: GS 05/13/91		DRAWING NO	
MFG APPVL: ---		REV	
QC APPVL: AL 05/13/91		SE207006-01	
MKT APPVL: ---		SHEET 1 OF 1	
PROD FAM: ---		SIZE	
PROJECT #: ---		D	
DOCUMENT TYPE: Sales		A	
REL LEVEL: AutoCAD			