

DRAWING NO.
SC210991

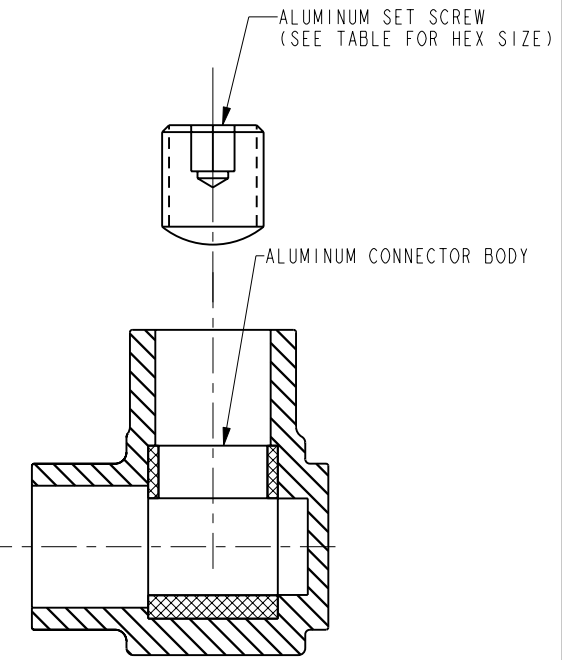
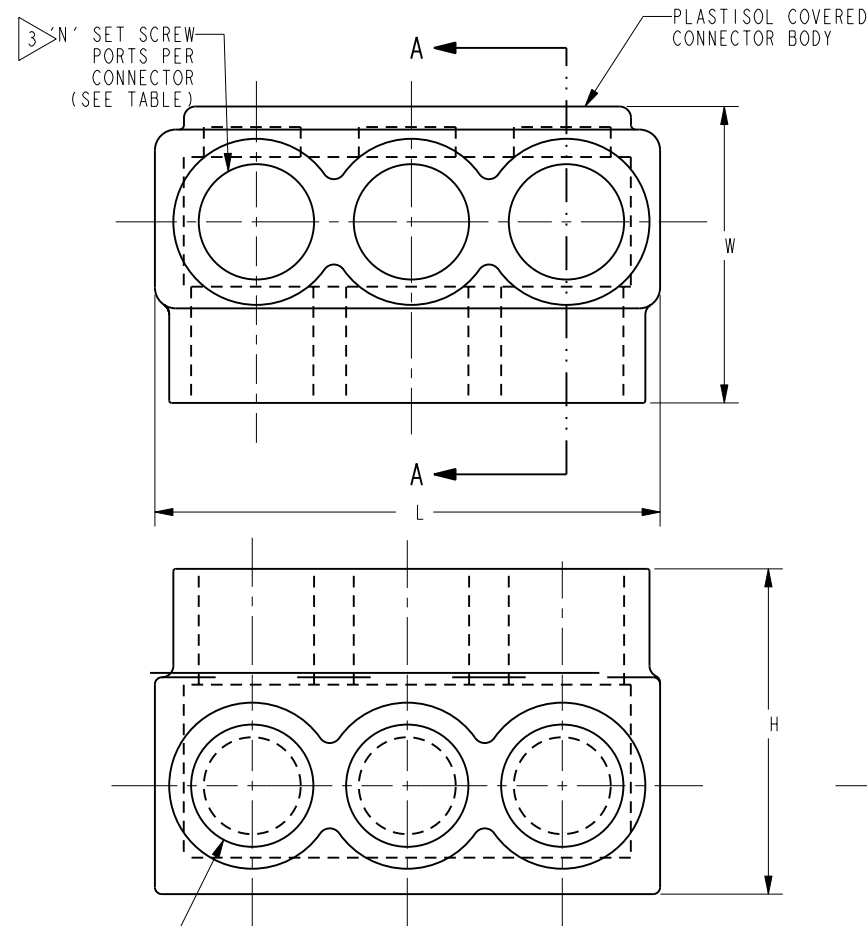
CATALOG NO.	WIRE RANGE (AWG/kcmil)	L	W	H	HEX KEY	N
BIBS2/0-3	#14-2/0	2.19 [56]	1.31 [33]	1.38 [35]	3/16	3
BIBS2/0-4	#14-2/0	2.86 [73]	1.31 [33]	1.38 [35]	3/16	4
BIBS2/0-5	#14-2/0	3.53 [90]	1.31 [33]	1.38 [35]	3/16	5
BIBS2/0-6	#14-2/0	4.20 [107]	1.31 [33]	1.38 [35]	3/16	6
BIBS2/0-8	#14-2/0	5.55 [141]	1.31 [33]	1.38 [35]	3/16	8
BIBS2/0-10	#14-2/0	6.89 [175]	1.31 [33]	1.38 [35]	3/16	10
BIBS2/0-12	#14-2/0	8.24 [209]	1.31 [33]	1.38 [35]	3/16	12
BIBS2/0-14	#14-2/0	9.58 [243]	1.31 [33]	1.38 [35]	3/16	14

FEATURES	BENEFITS
PLASTISOL COVERED AL6061-T6 BODY	SAVES TIME, LOWERS INSTALLATION COSTS, ELIMINATES TAPING.
CLEAR PLASTISOL	ALLOWS VISUAL CONFIRMATION THAT CONDUCTOR IS PROPERLY INSERTED.
OXIDE-INHIBITOR IS PRE-INSTALLED	INHIBITS MOISTURE AND CONTAMINANTS FROM ENTERING THE CONTACT AREA
RANGE-TAKING	REDUCES THE NUMBER OF CONNECTORS CARRIED IN INVENTORY

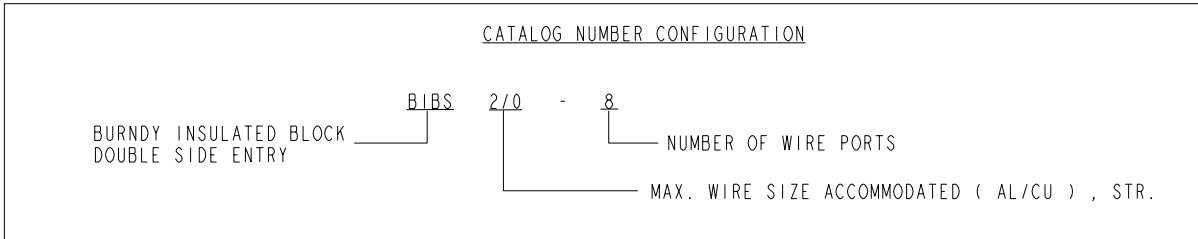
NOTES:

- CONNECTORS ARE SUPPLIED INDIVIDUALLY LABELED. LABEL INFORMATION INCLUDES CATALOG NUMBER, QUANTITY, AND BARCODE.
- END CAPS INSTALLED ON WIRE PORTS AND SET SCREW PORTS.
- ALL CONNECTORS UL LISTED, CSA CERTIFIED FOR AL9CU, 90°C APPLICATIONS.
- DIMENSIONS IN BRACKETS [] ARE IN MILLIMETERS ROUNDED OFF TO THE NEAREST MILLIMETER, UNLESS OTHERWISE NOTED, AND ARE FOR REFERENCE ONLY.
- TORQUE SET SCREWS TO 120 IN/LB

REV	DATE	DESCRIPTION	ECO	BY	C'H'K.
B	12/13/2012 00:00:00 AM	TORQUE INFORMATION ADDED	29767	RG	MA



3 N WIRE PORTS PER CONNECTOR (SEE TABLE)



REV: PE0200

TO ORDER BURNDY® PRODUCTS CALL
 UNITED STATES:
 1-800-346-4175 (LONDONDERRY, NH)
 CANADA:
 1-800-361-6975 (QUEBEC)
 1-800-387-6487 (ALL OTHER PROVINCES)
 FOR PRODUCT INFO: <http://www.burndy.com>

UNITAP™- PLASTISOL COVERED WIRE CONNECTORS	
ITEM NO:	N/A
CAT. NO:	BIBS2/0-, SERIES
DRAWN BY:	J AYER 3/21/97
CHECKER:	C CHADBOURNE 7/21/97
DSN APPVL:	C CHADBOURNE 7/21/97
MFG APPVL:	--
QA APPVL:	J BRODEUR 7/28/97
MKT APPVL:	P WERTHMAN 7/24/97
PROD FAM:	--
PROJECT #:	--
DOCUMENT TYPE:	Sales
REL LEVEL:	Released
SCALE:	NTS
DRAWING NO:	SC210991
REV:	B
SHEET 11 OF 15	

