

DRAWING NO. SD073942	7		6		5		4		3		2		1							
	CATALOG NUMBER	CONDUCTOR		DIMENSIONS			COLOR CODE	BURNDY® INSTALLATION TOOLING (# CRIMPS)										DIELESS (# CRIMPS)	STRIP LENGTH	BARREL MARKING INFORMATION
		ALUMINUM CLASS B CONCENTRIC, COMPRESSED, COMPACT, SIW	COPPER CLASS B, C CONCENTRIC, COMPRESSED, COMPACT	B MIN.	L MAX.	O.D.		DIE INDEX	TYPE	OUR840	MD6	Y34A Y34B	Y35, Y39 Y750, PAT750	Y46	Y45	Y48BH	Y60			
YS8CAI	#8 STR	#8 STR	.59 [15]	1.44 [37]	.30 [8]	BLUE	374	BLUE DIE SET NEST INDENTOR	X8CART (2) --	X8CART (2) W374 (1) --	--	U8CABT (1)	U8CABT (1)	U8CABT (1)	--	--	MRC840AL (1) MY29-3 (1)	Y81KFT (1) PAT81KFT (1) Y644 (1) PAT644 (1)	3/4"	FIG. NO.1
YS6CAI	#6 STR (.184)	#6 STR (.184)	.72 [18]	1.70 [43]	.34 [9]	GRAY	346 161 346	GRAY DIESET NEST INDENTOR	X6CART (2) X161 (2)	X6CART (2) W161 (1) --	A6CAB (1)	U6CABT (1) U161 (1)	U6CABT (1) U161 (1)	U6CABT (1) U161 (1)	--	--	MRC840AL (1) MY29-3 (1)	Y81KFT (1) PAT81KFT (1) Y644 (1) PAT644 (1)	7/8"	FIG. NO.1
YS4CAI	#4 STR (.232)	#4 STR (.232)	.86 [22]	1.97 [50]	.43 [11]	GREEN	375 162 375	GREEN DIE SET NEST INDENTOR	X4CART (3)	X6CART (3) W162 (3) --	A4CAB (1)	U4CABT (1) U162 (1)	U4CABT (1) U162 (1)	U4CABT (1) U162 (1)	--	--	MRC840AL (2) MY29-3 (1)	Y81KFT (1) PAT81KFT (1) Y644 (1) PAT644 (1)	1"	FIG. NO.2
YS2CAI	#2 STR (.292)	#2 STR (.292)	1.09 [28]	2.44 [62]	.53 [13]	PINK	348 163 239 348	PINK DIE SET NEST INDENTOR	X2CART (4) X239 (4)	X2CART (4) W163 (3) W239 (2) --	A2CAB (1)	U2CABT (1) U163 (1) U239 (1)	U2CABT (1) U163 (1) U239 (1)	U2CABT (1) U163 (1) U239 (1)	--	--	MRC840AL (2) MY29-3 (2)	Y81KFT (2) PAT81KFT (2) Y644 (1) PAT644 (1)	1 1/4"	FIG. NO.1
YS1CAI	#1 STR (.332)	#1 STR (.332)	.90 [23]	2.05 [52]	.54 [14]	GOLD	471 163 471	GOLD DIE SET NEST INDENTOR	X1CART (3)	X1CART (3) W163 (3) --	A1CAR (1)	U1CART (1) U163 (1)	U1CART (1) U163 (1)	U1CART (1) U163 (1)	--	--	MRC840AL (2) MY29-3 (2)	Y81KFT (2) PAT81KFT (2) Y644 (1) PAT644 (1)	1 1/16"	FIG. NO.1
YS25AI	1/0 STR (.373)	1/0 STR (.373)	1.06 [27]	2.37 [60]	.60 [15]	TAN	296 241 296	TAN DIE SET NEST INDENTOR	X25ART (4) X241 (4)	X25ART (4) W241 (2) --	A25AR (1)	U25ART (1) U241 (1)	U25ART (1) U241 (1)	U25ART (1) U241 (1)	C25AR (1) U241 (1)	--	MRC840AL (2) MY29-3 (2)	Y81KFT (2) PAT81KFT (2) Y644 (1) PAT644 (1)	1 3/16"	FIG. NO.1
YS26AI	2/0 STR (.418)	2/0 STR (.418)	1.18 [30]	2.61 [66]	.67 [17]	OLIVE	297 245 297	OLIVE BG DIE SET NEST INDENTOR	X26ART (4) XBG (4) X245 (4)	X26ART (4) WBG (2) W245 (3) --	A26AR (2)	U26ART (2) UBG (2) U245 (1)	U26ART (2) UBG (2) U245 (1)	U26ART (2) UBG (2) U245 (1)	C28AR (1)	--	MRC840AL (3) MY29-3 (2)	Y81KFT (2) PAT81KFT (2) Y644 (1) PAT644 (1)	1 3/8"	FIG. NO.1
YS27AI	3/0 STR (.470)	3/0 STR (.470)	1.31 [33]	2.88 [73]	.76 [19]	RUBY	467 166 467	RUBY DIE SET NEST INDENTOR	X27ART (4)	X27ART (4) W166 (4) --	A27AR (2)	U27ART (2) U166 (2)	U27ART (2) U166 (2)	U27ART (2) U166 (2)	U27AR (1)	--	MRC840AL (3) MY29-3 (2)	Y81KFT (2) PAT81KFT (2) Y644 (1) PAT644 (1)	1 1/2"	FIG. NO.1
YS28AI	4/0 STR (.528)	4/0 STR (.528)	1.40 [36]	3.06 [78]	.85 [22]	WHITE	298 660 298	WHITE DIE SET NEST INDENTOR	X28ART (6) X660 (8)	X28ART (6) W660 (3) --	A28AR (2)	U28ART (2) U660 (2)	U28ART (2) U660 (2)	U28ART (2) U660 (2)	C28AR (1)	--	MRC840AL (3) MY29-3 (2)	Y81KFT (2) PAT81KFT (2) Y644 (1) PAT644 (1)	1 5/8"	FIG. NO.1

NOTES:

- MATERIAL: ALUMINUM TUBE.
- FINISH: TIN PLATED.
- CONNECTORS ARE PREFILLED WITH PENETROX™ OXIDE INHIBITOR. REMOVE EXCESS PENETROX™ FROM CONNNECTOR AND CONDUCTOR AFTER MAKING CRIMPS.
- UL LISTED AND CSA CERTIFIED WIRE CONNECTORS. RATED 90 C (AL9CU) FOR USE WITH COPPER OR ALUMINUM CONDUCTOR. APPROVAL APPLY TO TIN PLATED CONNECTORS ONLY.
- WHEN MULTIPLE CRIMPS ARE REQUIRED PLACE FIRST CRIMP CLOSEST TO CENTER STOP AND MOVE OUT TOWARD END OF SPLICE WITH SUCCESSIVE CRIMPS.
- DIMENSIONS IN BRACKETS [] ARE IN MILLIMETERS ROUNDED OFF TO THE NEAREST MILLIMETER, UNLESS OTHERWISE NOTED, AND ARE FOR REFERENCE ONLY.
- CATALOG #PT65I5 ADAPTOR IS REQUIRED TO USE "U" DIES IN Y45 SERIES TOOLS.
- CATALOG #PUADP-1 ADAPTOR IS REQUIRED TO USE "U" DIES IN Y46 SERIES TOOLS.
- Y35P3 INDENTOR ADAPTOR REQUIRED FOR "Y34PR" TYPE INDENTORS.
- FOR USE BY CUSTOMERS THAT HAVE THIS HYPRESS™. NO NEW HYPRESSES™ ARE BEING PROCESSED.
- ENLARGED BARREL MARKING VIEW.

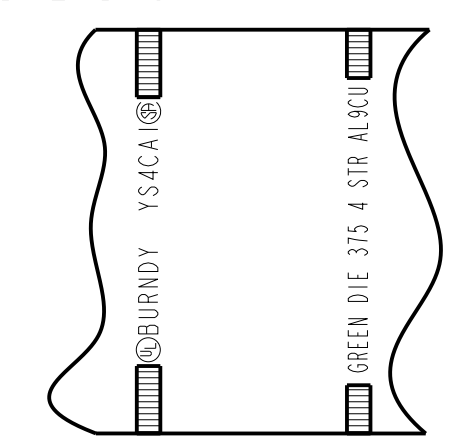
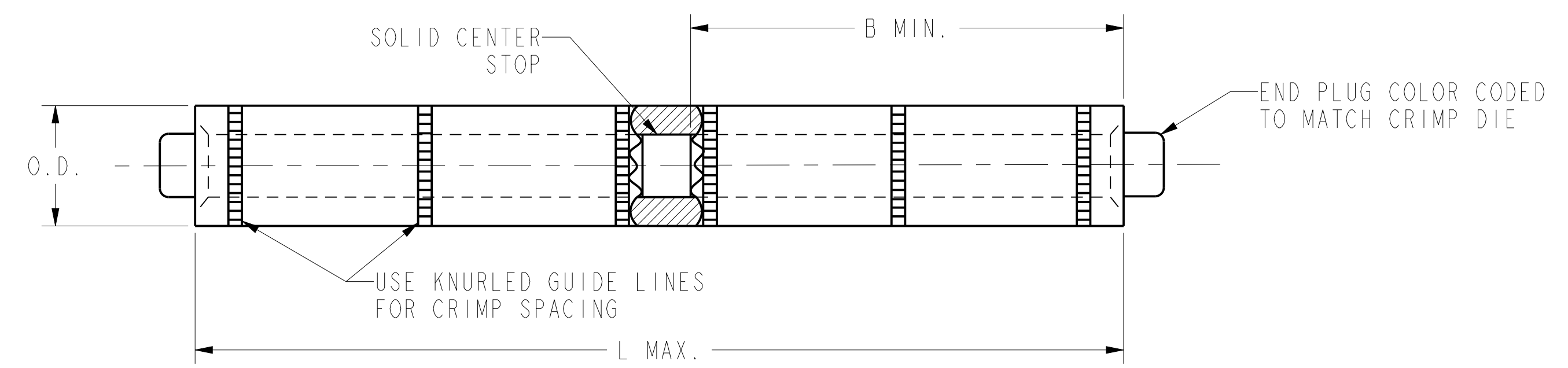


FIG. NO. 2

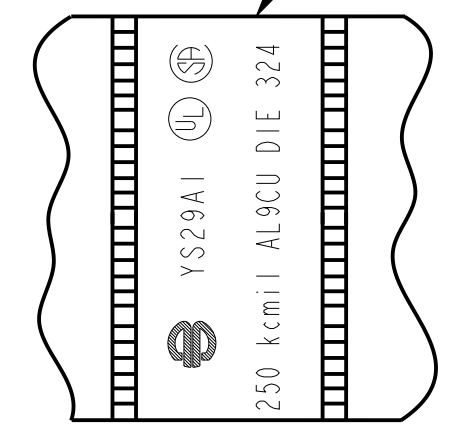


FIG. NO. 1

BARREL MARKING INFORMATION

REV	DATE	DESCRIPTION	ECO	BY	C'H'K.
J	12/09/2016 00:00:00 AM	UPDATED B MIN, L MAX, AND O.D. ON YS42AI	45505	JR	MB

CONNECTORS FOR SECONDARY APPLICATION - "YS_AY" (SD026164).
CONNECTORS FOR PRIMARY VOLTAGE FOR ABOVE 5KV "YS_AT" (SC025626).

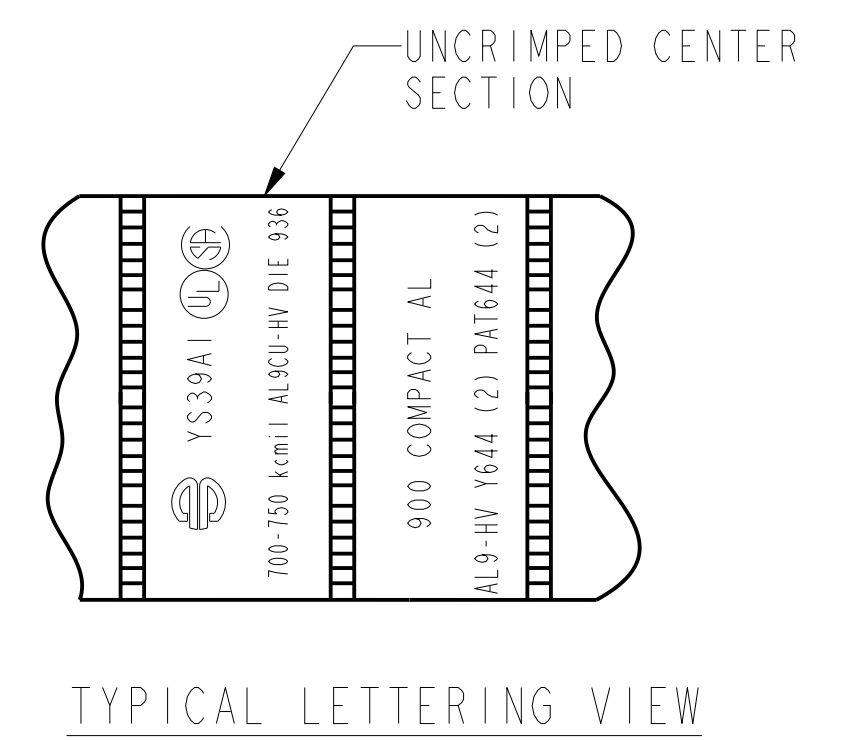
TO ORDER BURNDY® PRODUCTS CALL
UNITED STATES
1-800-346-4175 (LONDONDERRY, NH)
CANADA:
1-800-361-6975 (QUEBEC)
1-800-387-6487 (ALL OTHER PROVINCES)
FOR PRODUCT INFO: <http://www.burndy.com>

HYLINK™ (ALUMINUM)	
ITEM NO:	N/A
CAT. NO:	YS - A - (TABLE)
DRAWN BY:	ESK 8/24/72
CHECKER:	SFP 8/25/72
DSN APPVL:	D.C.W. 12/12/72
MFG APPVL:	N/A
QA APPVL:	D VARIO 7/25/95
MKT APPVL:	P WERTHMAN 4/17/95
PROD FAM:	--
PROJECT #:	--
DOCUMENT TYPE:	Sales
REL LEVEL:	Released

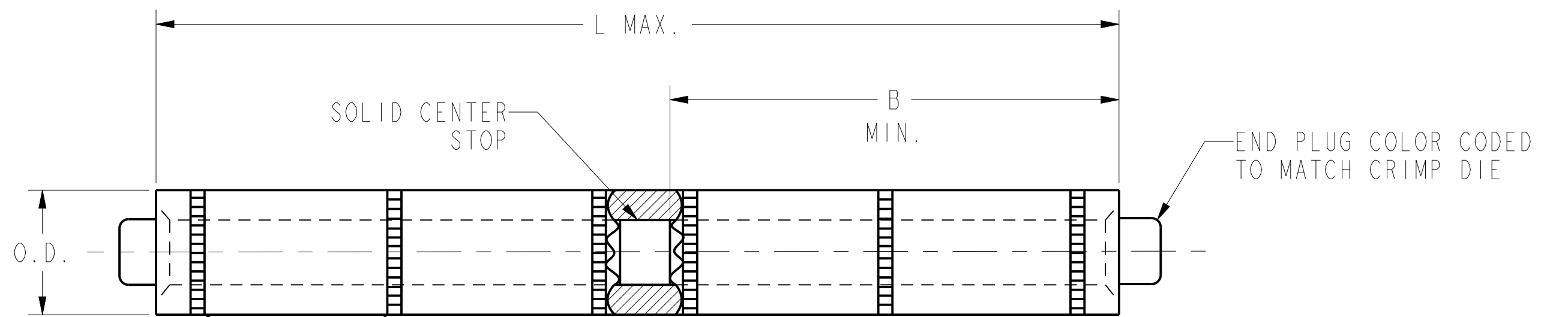
SCALE: NTS
DRAWING NO: SD073942
REV: J
SHEET 1 OF 3

REV: PEO200

CATALOG NUMBER	CONDUCTOR SIZE		DIMENSIONS			COLOR CODE	BURNDY® INSTALLATION TOOLING (# CRIMPS)										DIELESS (# CRIMPS)	STRIP LENGTH	
	ALUMINUM CLASS B CONCENTRIC, COMPRESSED, COMPACT, SIW	COPPER CLASS B, C CONCENTRIC, COMPRESSED, COMPACT	B MIN.	L MAX.	O.D.		DIE INFORMATION		HYDRAULIC										HYDRAULIC
							DIE INDEX	TYPE	Y34A Y34B	Y35, Y39 Y750, PAT750	Y46	Y45	Y48BH	Y60					
YS29AI	250 kcmil	250 kcmil	1.46 [37]	3.18 [81]	.92 [23]	RED	324	RED DIE SET	A29AR (2)	U29ART (2)	U29ART (2)	U29ART (2)	C29AR (1)	L29ART (1)	Y81KFT (2) PAT81KFT (2) Y644 (1) PAT644 (1)	1 5/8"			
YS30AI	4/0 AWG CCA DLO (329/22) 300 kcmil	300 kcmil	1.47 [37]	3.20 [81]	1.01 [26]	BLUE	470	BLUE DIE SET	A30AR (2)	U30ART (2)	U30ART (2)	U30ART (2)	C30AR (1)	L30ART (1)	Y81KFT (2) PAT81KFT (2) Y644 (1) PAT644 (1)	1 3/4"			
YS31AI	250 Kcmil CCA DLO (399/22) 350 kcmil	350 kcmil	1.89 [48]	4.04 [103]	1.11 [28]	BROWN	299	BROWN DIE SET	--	U31ART (2)	U31ART (2)	U31ART (2)	C31ART (1)	--	Y81KFT (3) PAT81KFT (3) Y644 (1) PAT644 (1)	2 1/8"			
YS32AI	400 kcmil	400 kcmil	2.30 [58]	4.86 [123]	1.19 [30]	GREEN	472	GREEN DIE SET	--	U32ART (4)	U32ART (4)	U32ART (4)	C32AR (2)	L32ART (2)	Y81KFT (4) PAT81KFT (4) Y644 (1) PAT644 (1)	2 1/2"			
YS34AI	350 Kcmil CCA DLO (551/22) 500 kcmil	500 kcmil	2.38 [60]	5.02 [128]	1.32 [34]	PINK	300	PINK DIE SET	--	U34ART (4)	U34ART (4)	U34ART (4)	C34AR (2)	L34ART (2)	Y81KFT (4) PAT81KFT (4) Y644 (1) PAT644 (1)	2 5/8"			
YS36AI	500 Kcmil CCA DLO (779/22) 600 kcmil	600 kcmil	2.44 [62]	5.14 [131]	1.44 [37]	BLACK	473	BLACK DIE SET	--	U36ART (4)	U36ART (4)	U36ART (4)	C36AR (2)	L36ART (2)	Y81KFT (4) PAT81KFT (4) Y644 (1) PAT644 (1)	2 7/8"			
YS39AI	700 kcmil-750 kcmil 600 Kcmil CCA DLO (925/22) 900 kcmil COMPACT AL.	900 kcmil COMPACT AL.	2.50 [64]	5.26 [134]	1.46 [37]	YELLOW	936	YELLOW DIE SET	--	U39ART-2 (4)	U39ART-2 (4)	U39ART-2 (4)	--	L39ART-2 (2)	Y81KFT (4) PAT81KFT (4) Y644 (1) PAT644 (1)	2 7/8"			
YS39AMI	700 kcmil-750 kcmil 900 kcmil COMPACT AL.		2.63 [67]	5.58 [142]	1.60 [41]	RED	301	RED DIE SET	--	--	P39ART (4)	S39ART (4)	C39AR (4)	L39ART (4)	Y81KFT (4) PAT81KFT (4) Y644 (1) PAT644 (1)	2 7/8"			
YS40AI	800 kcmil		2.61 [66]	5.48 [139]	1.65 [42]	GRAY	474	GRAY DIE SET	--	--	P40ART (4)	S40ART (4)	C40AR (4)	L40ART (4)	Y81KFT (4) PAT81KFT (4) Y644 (1) PAT644 (1)	3"			
YS42AI	900 kcmil AL WITH U42ART DIE 600-900 Kcmil AL WITH Y644 600 Kcmil CU ONLY WITH Y644		2.47 [63]	5.29 [134]	1.50 [38]	GRAY	303	GRAY DIE SET	--	U42ART (4)	U42ART (4)	U42ART (4)	--	--	Y644 (2) PAT644 (2)	2 7/8"			
YS44AI	750 OR 800 Kcmil CCA DLO (1184/22) (1258/22) 1000 kcmil	1000 kcmil	2.84 [72]	5.94 [151]	1.84 [47]	BROWN	302	BROWN DIE SET	--	--	P44ART (4)	S44ART (4)	C44AR (2)	L44ART (2)	Y644MBH (1) ONLY	3 1/8"			



- NOTES:
- MATERIAL: ALUMINUM TUBE.
 - FINISH: TIN PLATED.
 - CONNECTORS ARE PREFILLED WITH PENETROX™ OXIDE INHIBITOR. REMOVE EXCESS PENETROX™ FROM CONNECOTR AND CONDOCOTR AFTER MAKING CRIMPS.
 - UL LISTED AND CSA CERTIFIED WIRE CONNECTORS. RATED 90 C (AL9CU) FOR USE WITH COPPER OR ALUMINUM CONDUCTOR. APPROVAL APPLY TO TIN PLATED CONNECTORS ONLY.
 - WHEN MULTIPLE CRIMPS ARE REQUIRED PLACE FIRST CRIMP CLOSEST TO CENTER STOP AND MOVE OUT TOWARD END OF SPLICE WITH SUCCESSIVE CRIMPS.
 - DIMENSIONS IN BRACKETS [] ARE IN MILLIMETERS ROUNDED OFF TO THE NEAREST MILLIMETER, UNLESS OTHERWISE NOTED, AND ARE FOR REFERENCE ONLY.



USE KNURLED GUIDE LINES FOR CRIMP SPACING

CONNECTORS FOR SECONDARY APPLICATION- "YS-AY" (SD26164).
CONNECTORS FOR PRIMARY VOLTAGE FOR ABOVE 5KV "YS-AT" (SC25626).

- CATALOG #PT6515 ADAPTOR IS REQUIRED TO USE "U" DIES IN Y45 SERIES TOOLS.
- CATALOG #PUADP-1 ADAPTOR IS REQUIRED TO USE "U" DIES IN Y46 SERIES TOOLS.
- Y35P3 INDENTOR ADAPTOR REQUIRED FOR "Y34PR" TYPE INDENTORS.
- FOR USE BY CUSTOMERS THAT HAVE THIS HYPRESS™. NO NEW HYPRESSES™ ARE BEING PROCESSED.
- UL LISTED WITH DLO COPPER CLAD ALUMINUM CONDUCTOR USING Y644 TOOLS ONLY.

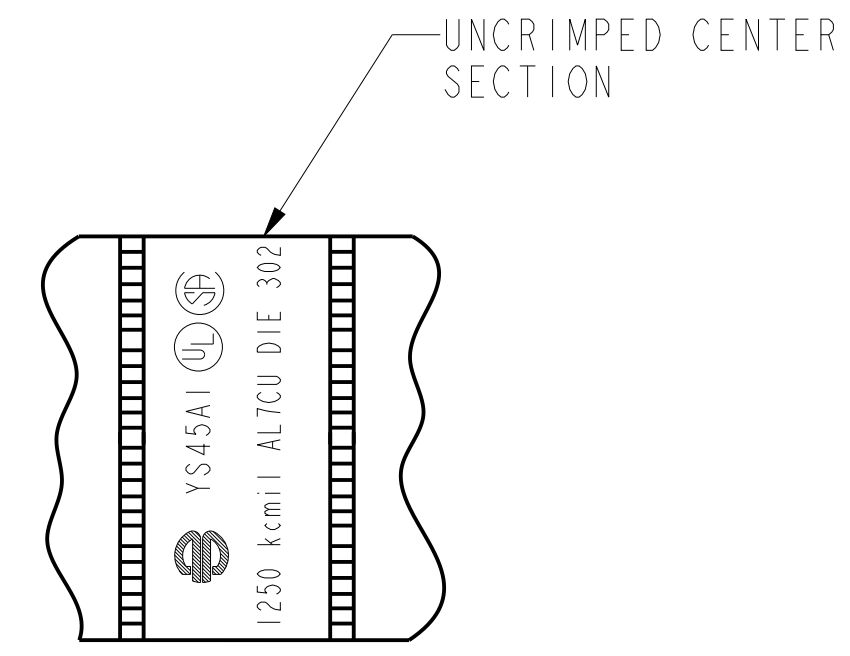
TO ORDER BURNDY® PRODUCTS CALL		HYLINK™ (ALUMINUM)	
UNITED STATES 1-800-346-4175 (LONDONDERRY, NH)		ITEM NO: N/A	CAT. NO: YS--A--(TABLE)
CANADA: 1-800-361-6975 (QUEBEC) 1-800-387-6487 (ALL OTHER PROVINCES)		DRAWN BY: E.S.K. 8/25/72	CHECKER: S.F.P. 8/25/72
FOR PRODUCT INFO: http://www.burndy.com		DSN APPVL: D.C.W. 12/12/72	MFG APPVL: --
		QC APPVL: D VARIO 7/25/95	MKT APPVL: P WERTHMAN 4/17/95
		PROD FAM: --	SCALE: NTS
		PROJECT #: --	SIZE: D
		DOCUMENT TYPE: Sales	DRAWING NO: SD073942
		REL LEVEL: Released	SHEET 2 OF 3

REV	DATE	DESCRIPTION	ECO	BY	C'H'K.
J	12/09/2016 00:00:00 AM	UPDATED B MIN, L MAX, AND O.D. ON YS42AI	45505	JR	MB

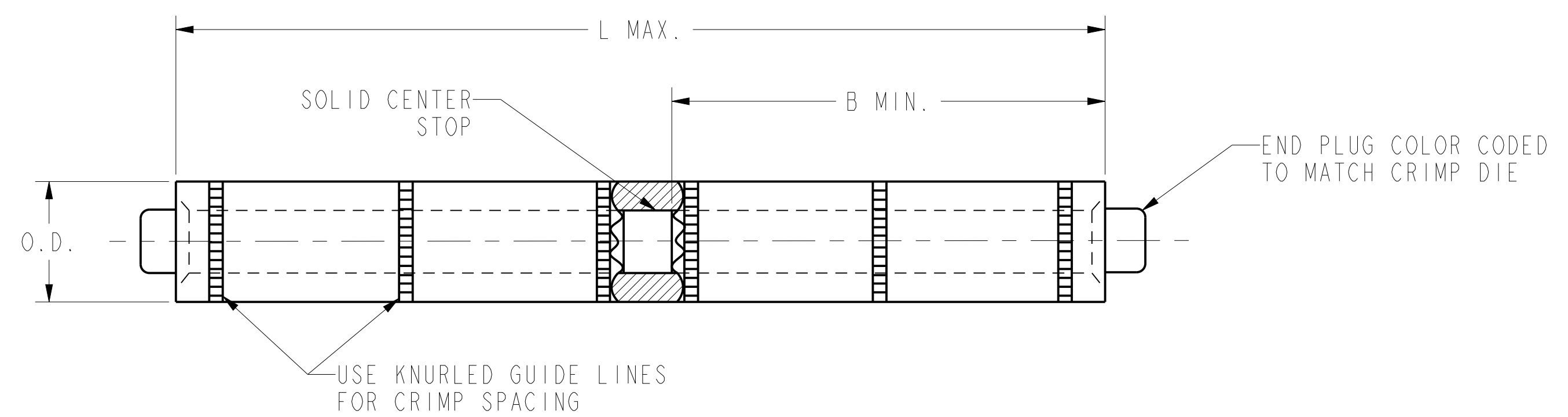
REV: PE0200

CATALOG NUMBER	CONDUCTOR		DIMENSIONS			COLOR CODE	BURNDY® INSTALLATION TOOLING (# CRIMPS)						STRIP LENGTH	
	ALUMINUM CLASS B CONCENTRIC, COMPRESSED, COMPACT, SIW	COPPER CLASS B, C CONCENTRIC, COMPRESSED, COMPACT	B MIN.	L MAX.	O.D.		DIE INFORMATION		HYDRAULIC					DIELESS (# CRIMPS)
							DIE INDEX	TYPE	Y46	Y45	Y48BH	Y60		
YS45A1	900 OR 1000 Kcmil CCA DLO (1406/22) (1554/22) 1250 kcmil	1250 kcmil	2.84 [72]	6.21 [158]	1.84 [47]	BROWN	302	BROWN DIE SET	PA44ART (4)	S44ART (4)	C44AR (2)	L44ART (2)	Y644MBH (1) ONLY	3 1/8"
7 YS45A2	1250 kcmil		2.23 [57]	4.67 [119]	1.84 [47]	BROWN	302	BROWN DIE SET	PA44ART (4)	S44ART (4)	C44AR (2)	L44ART (2)	Y644MBH (1) ONLY	3 1/8"
YS46A1	1500 kcmil		3.40 [86]	7.05 [179]	2.26 [57]	BLUE	478	BLUE DIE SET	--	--	C46AR (2)	L46ART (2)	--	3 3/4"
7 YS46A2	1500 kcmil		3.18 [81]	6.57 [167]	2.26 [57]	BLUE	478	BLUE DIE SET	--	--	C46AR (2)	L46ART (2)	--	3 3/4"
YS47A1	1750 kcmil		3.99 [101]	8.31 [211]	2.44 [62]	WHITE	587	WHITE DIE SET	--	--	--	L47ART (2)	--	4 3/8"
YS48A1	2000 kcmil		3.66 [93]	7.58 [193]	2.60 [66]	RED	479	RED DIE SET	--	--	--	L48ART (2)	--	4 1/8"
7 YS483A1	2250 kcmil ALUMINUM ONLY NOT UL LISTED/CSA CERTIFIED		3.66 [93]	7.58 [193]	2.60 [66]	RED	479	RED DIE SET	--	--	--	L48ART (2)	--	4 1/8"

REV	DATE	DESCRIPTION	ECO	BY	CHK.
J	12/09/2016 00:00:00 AM	UPDATED B MIN, L MAX, AND O.D. ON YS42A1	45505	JR	MB



TYPICAL LETTERING VIEW



- NOTES:
- MATERIAL: ALUMINUM TUBE.
 - FINISH: TIN PLATED.
 - CONNECTORS ARE PREFILLED WITH PENETROX™ OXIDE INHIBITOR. REMOVE EXCESS PENETROX™ FROM CONNECOTR AND CONDUCTOR AFTER MAKING CRIMPS.
 - UL LISTED AND CSA CERTIFIED WIRE CONNECTORS. RATED 75C (AL7CU) FOR USE WITH COPPER OR ALUMINUM CONDUCTOR. APPROVAL APPLY TO TIN PLATED CONNECTORS ONLY.
 - WHEN MULTIPLE CRIMPS ARE REQUIRED PLACE FIRST CRIMP CLOSEST TO CENTER STOP AND MOVE OUT TOWARD END OF SPLICE WITH SUCCESSIVE CRIMPS.
 - DIMENSIONS IN BRACKETS [] ARE IN MILLIMETERS ROUNDED OFF TO THE NEAREST MILLIMETER, UNLESS OTHERWISE NOTED, AND ARE FOR REFERENCE ONLY.

- CATALOG NUMBERS YS45A2, YS46A2 AND YS483A1 ARE UNPLATED
- CATALOG #PT6515 ADAPTOR IS REQUIRED TO USE "U" DIES IN Y45 SERIES TOOLS.
- CATALOG #PUADP-1 ADAPTOR IS REQUIRED TO USE "U" DIES IN Y46 SERIES TOOLS.
- Y35P3 INDENTOR ADAPTOR REQUIRED FOR "Y34PR" TYPE INDENTORS.
- UL LISTED WITH DLO COPPER CLAD ALUMINUM CONDUCTOR USING Y644 TOOLS ONLY.

TO ORDER BURNDY® PRODUCTS CALL		HYLINK™ (ALUMINUM)	
UNITED STATES 1-800-346-4175 (LONDONDERRY, NH)		ITEM NO: N/A	CAT. NO: YS--A--(TABLE)
CANADA: 1-800-361-6975 (QUEBEC) 1-800-387-6487 (ALL OTHER PROVINCES)		DRAWN BY: E.S.K. 8/25/72	CHECKER: S.F.P. 8/25/72
FOR PRODUCT INFO: http://www.burndy.com		DSN APPVL: J.MICHAUD 04/04/06	MFG APPVL: N/A
		QC APPVL: D VARIO 7/25/95	MKT APPVL: P WERTHMAN 4/17/95
		PROD FAM: --	DRAWING NO: SD073942
		PROJECT #: --	SCALE: NTS
		DOCUMENT TYPE: Sales	REV: J
		REL LEVEL: Released	SHEET 3 OF 3

REV: PEC200