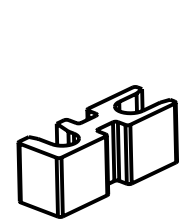


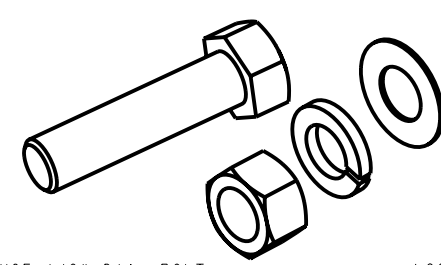
DRAWING NO.  
SD078073-01

CATALOG NO.	ITEM NO.	ACCOMMODATES CU OR ALUM. COMPRESSION TERMINALS		C	H	MIN. REQUIRED BOLT LENGTH FOR 1/4" BUS ASSEMBLY USING SPLIT LOCK WASHERS
		TERMINAL CONDUCTOR RANGE	MAX. INSULATION O.D.			
ASA250U	398102	1/0-250 kcmil	.868 [22]	1.00 [25]	.77 [20]	2-3/4"
ASA800U	398103	1/0-800 kcmil	1.372 [35]	1.00 [25]	1.13 [29]	3-1/2"
ASA1000U	398104	1/0-1000 kcmil	1.494 [38]	1.25 [32]	1.25 [32]	3-3/4"

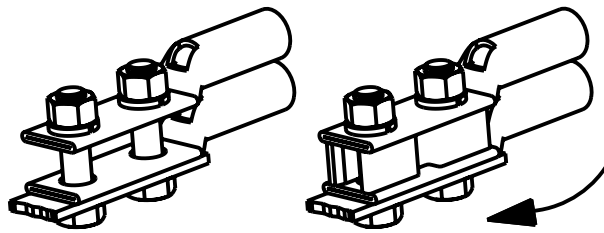
REV	DATE	DESCRIPTION	ECO	BY	C'H'K.
B	7/16/2009 12:00:00 AM	REDRAW INTO PRO-E	18262	DG	MA



SELECT THE PROPER SIZE HYSTACK™ SEE TABLE ABOVE.

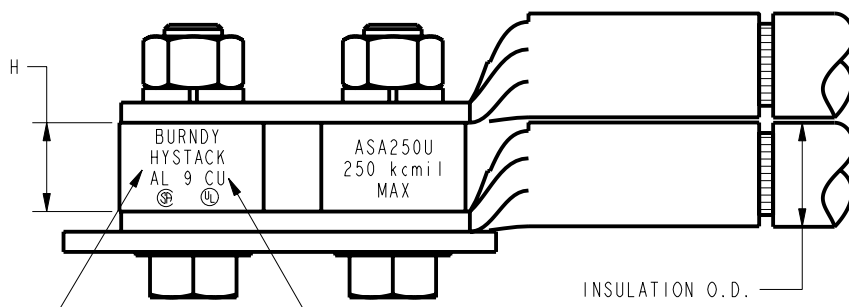
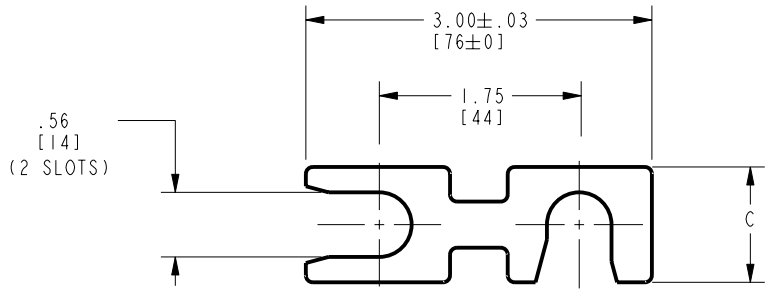


USE 1/2" DIA. BOLT, NUT & WASHERS. SELECT PROPER LENGTH TO ALLOW FOR HYSTACK™ TONGUES AND BUS.



LOOSELY INSTALL TERMINALS AND BOLTS TO BUS.

INSERT ADAPTOR BETWEEN TONGUES AND ALIGN PROPERLY, TIGHTEN BOLTS TO RECOMMENDED TORQUE



TYPICAL LETTERING

NOTES:

- 1 MINIMUM BOLT LENGTH WHEN USING 1/4" THICK BUS AND MAXIMUM CONDUCTORS. SHORTER BOLTS CAN BE USED FOR THINNER COMBINATIONS.
- ASA-U STACKING ADAPTORS ARE RECOMMENDED FOR USE WITH ANY BURNDY U-L LISTED COMPRESSION TERMINAL, 2 OR 4 HOLE PAD HAVING 1.75" CENTER TO CENTER HOLE SPACING (NEMA DRILLING), TYPE YA-, YA-L OR YA-A 2 OR 4 HOLE NEMA PAD.
- TO STACK 4 HOLE NEMA DRILLED TERMINALS USE 2 STACKING ADAPTORS ASSEMBLED SIDE BY SIDE.
- WIRE BRUSH ANY UNPLATED SURFACE TO WHICH THE ASSEMBLY WILL BE ATTACHED AND COAT THE CONTACT SURFACE WITH PENETROX™ JOINT COMPOUND.
- 2 ALUMINUM, TINNED SILICON BRONZE OR HIGH STRENGTH STEEL BOLTS SHOULD BE USED.
- 3 RECOMMENDED BOLT TORQUE.
  - ALUMINUM - 300 IN. LBS.
  - TINNED SILICON BRONZE - 480 IN. LBS.
  - HIGH STRENGTH STEEL - 480 IN. LBS.
- 4 CAUTION: WHEN INSTALLING ALUMINUM TERMINALS IN CONJUNCTION WITH THE INTERNAL TYPE ASA-U HYSTACK™ TERMINALS MUST BE MARKED AL-9-CU IN ORDER TO MEET UL 486B B 90°C REQUIREMENT.
- 5. MATERIAL: ALUMINUM ALLOY
- 6. FINISH: TIN PLATED
- 7. DIMENSIONS IN BRACKET [ ] ARE IN MILLIMETERS, ROUNDED OFF TO THE NEAREST MILLIMETER UNLESS OTHERWISE NOTED. METRIC DIMENSIONS ARE FOR REFERENCE ONLY.

TO ORDER BURNDY® PRODUCTS CALL  
 UNITED STATES:  
 1-800-346-4175 (LONDONDERRY, NH)  
 CANADA:  
 1-800-361-6975 (QUEBEC)  
 1-800-387-6487 (ALL OTHER PROVINCES)  
 FOR PRODUCT INFO: <http://www.burndy.com>

HYSTACK™ ADAPTOR	
ITEM NO:	N/A
CAT. NO:	ASA-U TABLE
DRAWN BY:	R. BOISVERT 12/28/2006
CHECKER:	P. LAPONIUS 01/02/2007
DSN APPVL:	S. ULEMEK 11/27/2006
MFG APPVL:	--
QA APPVL:	R. RIBERDY 11/27/2006
MKT APPVL:	J. SYLVIA 11/27/2006
PROD FAM:	--
PROJECT #:	--
DOCUMENT TYPE:	Sales
REL LEVEL:	Released
SCALE:	1:1
DRAWING NO:	SD078073-01
REV:	B

REV: PE0200