



**BURNDY Catalog Number**  
**UPC Number**  
**Description**  
**Status**

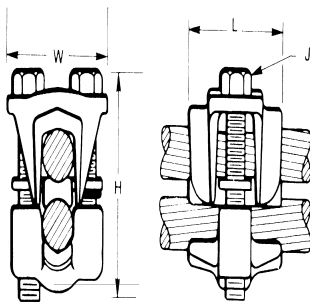
KVS40A  
 7818100735066  
 AL OKLIP 400-800/3/0-800  
 Active

**Web Use**  
 BURNDY Product Line

**Product Description**

**General**

High-conductivity, non-copper bearing aluminum alloy connector. Spacer bar separates dissimilar conductors. Intended for heavy duty applications.



**Conductor(s)**

Aluminum Run Size (Range) 400 kcmil-800 kcmil  
 Copper Tap Range 3/0 AWG-800 kcmil  
 CopperWeld Solid Run Size (Range) N/A  
 Copper Stranded Run (Range) 400 kcmil-800 kcmil  
 CopperWeld Stranded Tap Size (Range) N/A  
 CopperWeld Solid Tap Size (Range) N/A  
 Aluminum Tap Size (Range) 3/0 AWG-800 kcmil  
 Galvanized Steel Size (Range) N/A  
 CopperWeld Stranded Run Size (Range) N/A

**Approvals / Certifications**

UL Listed N  
 CSA Certified N  
 ROHS Compatible Compliant  
 UL Recognized N  
 CULUS N

**Physical**

Installation Torque 480  
 Type of Plating Unplated  
 Plated (Yes or No) N  
 Product Material Aluminum

**Documentation**

For further technical assistance, please contact us

**BURNDY LLC - USA**

47 East Industrial Park Drive  
 Manchester NH 03109

**BURNDY Technical Services**

47 East Industrial Park Drive  
 Manchester NH 03109

Hours: 8:00 AM - 5:00 PM  
 Monday - Friday  
 Phone: 800-346-4175