

# Panel Mounted Fuse Holders for 1/4" x 1 1/4" Fuses

## HKP, HKP-L, HKP-W

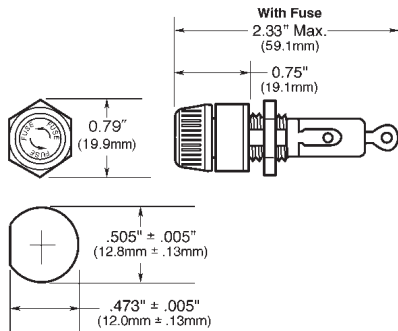


**Specifications**  
 Description: Standard fuse holders.  
 Dimensions: See Dimensions illustration.  
 Ratings:  
 Volts: — 250V  
 Amps: — 30A

**Catalog Numbers**

Catalog Numbers	Fuse Description
HKP	—
HKP-L	HKP w/ 2250V stand-off barrier
HKP-W	HKP w/ drip-proof knob

**Dimensions - in (mm)**



Data Sheet: 2106

## HKP-BBHH, HKP-HH and HKP-LW-HH

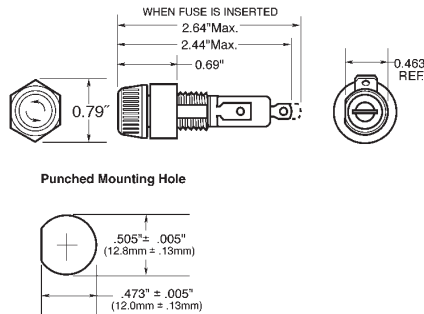


**Specifications**  
 Description: Fuse holders with 1/4" quick-connects.  
 Dimensions: See Dimensions illustration.  
 Ratings:  
 Volts: — 250V  
 Amps: — 15A

**Catalog Numbers**

Catalog Numbers	Fuse Description
HKP-BBHH	HKP w/ 1/4" quick-connects, nut and washer assembled.
HKP-HH	HKP w/ 1/4" quick-connect.
HKP-LW-HH	HKP w/ drip-proof knob, 2250V stand-off barrier and 1/4" quick-connects.

**Dimensions - in (mm)**



Data Sheet: 2106

## HKP-OO

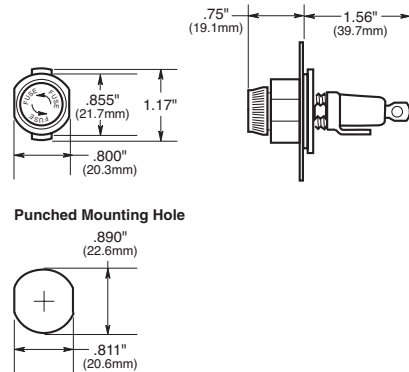


**Specifications**  
 Description: Snap-lock fuse holders.  
 Dimensions: See Dimensions illustration.  
 Ratings:  
 Volts: — 250V  
 Amps: — 30A

**Catalog Numbers**

Catalog Number	Fuse Description
HKP-OO	HKP with snap-lock

**Dimensions - in (mm)**



Data Sheet: 2106

**Specifications**

- Terminals: Bayonet-type knob.  
Vibration resistant.  
For panels up to 5/16" (7.9mm) thick.
- Agency Information: CE (HKP, HKP-L, HKP-W, HKP-OO), UL Recognized — Guide IZLT2, File E14853, CSA Certified — Class 6225-01, File 47235
- Replacement Parts: Cap: 9435-1/2  
Plastic Nut: BK/1A4287 (100 pieces minimum)  
Metal Nut: BK/1A4806-2 (100 pieces minimum)  
Washer: 9732