

Series 163 Power Terminal Blocks

163 Series

Replaces Cooper Bussmann®
164 Series

Specifications

Description: Power terminal block.

Dimensions: See Dimensions illustrations.

Construction: Tin-plated aluminum connectors.

Poles: 1- to 3-Poles, See Catalog Numbers table on the following page.

Wire Range: See Catalog Numbers table on the following page.

Ratings:

Volts: — 600Vac/dc

Amps: — See catalog Numbers table on the following page.

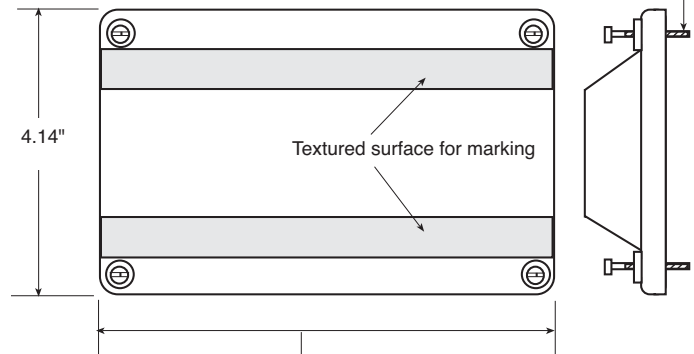
SCCR: — 10kA per UL 508A table SB4.1

Agency Information: CE, UL Recognized: Guide XCFR2, UL E221592, General Industrial Class per UL1059, CSA Certified: CSA LR15364

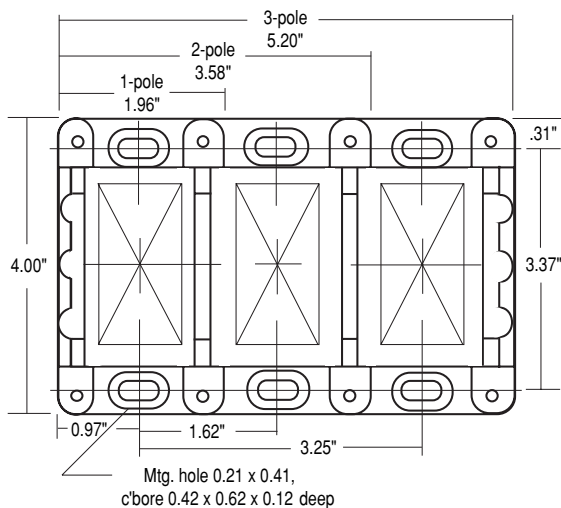
Flammability Rating: UL 94V0



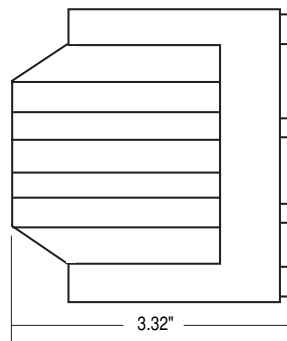
Supplied with (4) #4 thread-cutting screws assembled as shown



Dimensions



CPDB-1	(single pole)	2.10"
CPDB-2	(two pole)	3.72"
CPDB-3	(three pole)	5.34"



Power
Distribution
& Terminal
Blocks

(See Following Page for Ratings)

Power Terminal Blocks: Stud & Splicer

Series 162, 163 & 165

Specifications

Description: Power stud terminal blocks.
 Construction: Molded black thermoplastic.
 Poles: 1-, 2- or 3-poles.
 Wire Range: See Catalog Numbers table.
 Ratings:

Volts: — 600Vac/dc
 Amps: — Up to 760A
 SCCR: — 10kA per UL 508A table SB4.1

Agency Information: CE, Guide XCFR2, UL E221592
 General Industrial Class per UL 1059; CSA Class 6228-01, File 53787.
 Flammability Rating: UL 94V0.



Stud Block Catalog Numbers

Catalog Numbers	Line Connection (Poles)	Load Connection (Poles)	Material & Ampacity	Connector Agency Information
Connector to Stud				
16280	2/0-#14Cu-Al	¼-20 X ¾ Stud	Al-175A	UL —
16281	2/0-#14Cu-Al	¼-20 Tapped hole	Al-175A	UL —
16378	500kcmil-#6Cu-Al	(2)¼-20 x 1 Stud	Al-380A	UL CSA
16383	500kcmil-#6Cu-Al	(1)¼-16 x 1 Stud	Al-380A	UL CSA
16582	(2)500kcmil-#6Cu-Al	(2)¼-16 x 1½ Stud	Al-760A	UL CSA
Stud to Stud				
16290	¼-20 x ¾ Stud	¼-20 x ¾ Stud	Cu-175A	UL —
16390	¼-16 x 1½ Stud	¼-16 x 1½ Stud	Cu-250A	UL CSA
16394	¼-13 x 1½ Stud	¼-13 x 1½ Stud	Cu-400A	UL CSA
16395	¼-16 x 1½ Stud	(2)¼-20 x ¾ Stud	Cu-310A	UL CSA
16591	¼-16 x 1½ Stud	(2)¼-16 x 1½ Stud	Cu-400A	UL CSA
16593	¼-13 X 1 Stud	¼-13 X 1 Stud	Cu-600A	UL CSA

Nuts are not supplied with blocks

How To Order

Catalog Number + # of Poles

Example: 16000 – 3 (complete part number)

Optional Covers:

160 Series: CPB160 - (pole)
 162 Series: CPB162 - (pole)
 163 Series: CPDB - (pole)
 165 Series: CPDB165 (1 for each pole) - new style
 CPB165 - (pole) - old style

For Short-circuit current rated stud power distribution blocks, go to the Series PDB and Series 162 & 163 with high SCCR.

Series 160, 162, 163 & 165

Specifications

Description: Power splicer terminal blocks.
 Construction: Molded black thermoplastic.
 Wire Range: See Catalog Numbers table.
 Poles: Series 160: 2-, 3- or 4-poles

Series 162, 163 and 165: 1-, 2- or 3-poles

Ratings:

Volts: — 600Vac/dc
 Amps: — Up to 620A
 SCCR: — 10kA per UL 508A table SB4.1

Agency Information: CE, Guide XCFR2, UL E221592
 General Industrial Class per UL 1059; CSA Class 6228-01, File 53787.

Flammability Rating: UL 94V0.



Catalog Numbers

Catalog Numbers	Line Connection	Load Connection	Material & Ampacity	Agency Information
16000*	2/0-#8Cu/Al	2/0-#8Cu/Al	Al-175A	UL
16003*	250kcmil-#6Cu Only	250kcmil-#6Cu Only	Cu-255A	UL
16005*	350kcmil-#6Cu/Al	350kcmil-#6Cu/Al	Al-310A	UL
16200	#2-#14Cu, #2-#8Al	#2-#14Cu, #2-#8Al	Al-115A	UL
16201	1/0-#14Cu Only	1/0-#14Cu Only	Cu-150A	UL
16204	2/0-#8Cu/Al	2/0-#8Cu/Al	Al-175A	UL
16301	250kcmil-#6Cu Only	250kcmil-#6Cu Only	Cu-255A	UL/CSA
16303	350kcmil-#6Cu/Al	350kcmil-#6Cu/Al	Al-310A	UL/CSA
16306	500kcmil-#6Cu/Al	500kcmil-#6Cu/Al	Al-380A	UL/CSA
16500	(2)350kcmil-#4Cu/Al	(2)350kcmil-#4Cu/Al	Al-620A	UL/CSA
16504	(2)500kcmil-#6Cu/Al	(2)500kcmil-#6Cu/Al	Al-760A	UL/CSA

*160 Series Bases have mounting holes outside the barriers. Other bases (162 through 165) have mounting holes within barriers. See Data Sheet for dimensional drawings.

How To Order

Catalog Number + # of Poles

Example: 16000 – 3 (complete part number)

Optional Covers:

160 Series: CPB160 - (pole)
 162 Series: CPB162 - (pole)
 163 Series: CPDB - (pole)

For Short-circuit current rated and/or finger-safe splicer blocks, go to the Series PDBFS, Series PDB or Series 162 & 163 with high SCCR.