

## Rail Mount Terminal Blocks

### NC3-\_\_ \_\_ (color)

#### Specifications

Description: Rail mount terminal block.  
 Rating: 175A, 600V  
 Center Spacing: 1.06" (26.92mm)  
 Number of Poles: 3  
 Circuits Per Foot: 11  
 Wire Range: 2/0-#14 Cu/Al  
 Screw Size: 5/16-24  
 Mounting Options: C-rail, Base Mount  
 Marking Tape: MT12-1-2  
 Torque Rating: 45 lb-in  
 Operating Temperature: 105°C  
 Agency Information: UL File E62622, CSA File 15364.



#### Catalog Numbers

Number	Color
NC3-WH	White
NC3-BK	Black

### NSE3-WH

#### Specifications

Description: Rail mount terminal block.  
 Rating: 115A, 600V  
 Center Spacing: 1.06" (26.92mm)  
 Number of Poles: 3  
 Circuits Per Foot: 11  
 Circuit Jumper: JNSE3, 2 circuits  
 Wire Range: For use with wire crimped to ring terminal  
 Screw Size: #1/4-28  
 Mounting Options: C-rail, Base Mount  
 Marking Tape: MT12-1-2  
 Torque Rating: 32 lb-in  
 Operating Temperature: 105°C  
 Agency Information: UL File E62622, CSA File 15364.



#### Catalog Numbers

Number	Color
NSE3-WH	White

### NSS3-\_\_ \_\_ (color)

#### Specifications

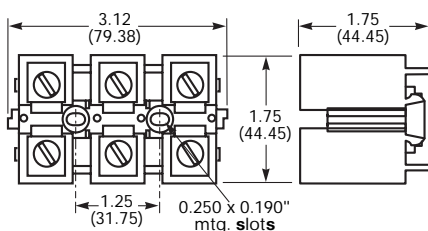
Description: Rail mount terminal block.  
 Rating: 30A, 600V  
 Center Spacing: 0.385" (9.77mm)  
 Number of Poles: 3  
 Circuits Per Foot: 28  
 Circuit Jumper: JNSS3, 2 circuits  
 Wire Range: For use with wire crimped to ring terminal  
 Screw Size: #6-32  
 Mounting Options: C-rail  
 Marking Tape: MT12-1-2  
 Torque Rating: 12 lb-in  
 Operating Temperature: 105°C  
 Agency Information: UL File E62622, CSA File 15364.



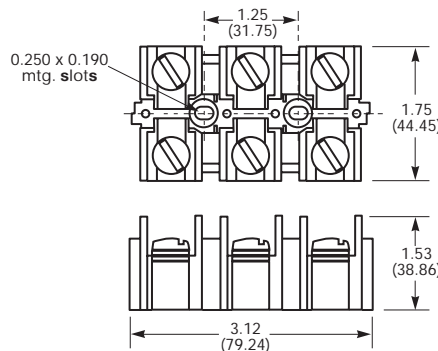
#### Catalog Numbers

Number	Color
NSS3-WH	White
NSS3-BK	Black

#### Dimensions - in (mm)



#### Dimensions - in (mm)



#### Dimensions - in (mm)

