

Sectional Terminal Blocks

KT3-__ (color)

Specifications

Description:

Depluggable rail
mount sectional
terminal block.

Rating: 40A, 600V

Center Spacing:
0.390" (9.91mm)

Number of Poles: 3

Circuits Per Foot: 28

Circuit Jumper: JN3, 2 circuits

Wire Range: AWG #8-22 Cu

Screw Size: #8-32

Mounting Options: Base Mount,
Stackable

Marking Tape: MT12-1-2

Torque Rating: 18 lb-in

Operating Temperature: 105°C

Agency Information: UL File E62622,
CSA File 15364

Catalog Numbers

Catalog

Number	Color
KT3-WH	White
KT3-BK	Black
KT3-RE	Red



KT4-__ (color)

Specifications

Description:

Depluggable rail
mount sectional
terminal block.

Rating: 30A,
600V

Center

Spacing: 0.25" (6.35mm)

Number of Poles: 4

Part Number:

• KT4-WH-A

• KT4-WH-B

Note: When used in series must order A and B

Circuits Per Foot: 48

Circuit Jumper: JN4, 4 circuits

Wire Range: AWG #10-22 Cu

Screw Size: #6-32

Mounting Options: Base Mount

Mounting screws recommended every
12 circuits

Marking Tape: MTC6

Torque Rating: 18 lb-in

Operating Temperature: 105°C

Agency Information: UL File E62622,
CSA File 15364



Catalog Numbers

Catalog

Number	Color
KT4-WH	White
KT4-BK	Black

PLK3-WH

Specifications

Description:

Depluggable rail
mount sectional
terminal block.

Rating: 40A,
600V

Center

Spacing: 0.39"
(9.91mm)

Number of Poles: 3

Circuits Per Foot: 28

Circuit Jumper: JN3, 2 circuits

Wire Range: AWG #8-22 Cu

Screw Size: #8-32

Mounting Options: Base Mount,
Stackable; End Piece (Part No. KAD)

is required for mounting. Mounting
screws recommended every 15 circuits.

Marking Tape: MT12-1-2

Torque Rating: 18 lb-in

Operating Temperature: 105°C

Agency Information: UL File E62622

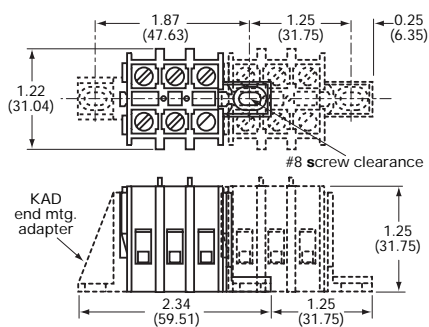


Catalog Numbers

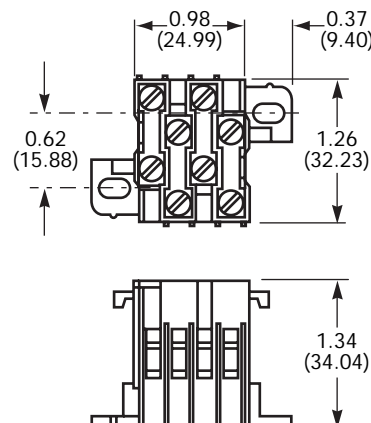
Catalog

Number	Color
PLK3-WH	White

Dimensions - in (mm)



Dimensions - in (mm)



Dimensions - in (mm)

