

R-rated Fuses for Motor Circuit Protection

JCG, JCH, JCK,
JCK-A, JCK-B, JCL,
JCL-A, JCL-B, JCR-A,
& JCR-B

Specifications

Description: Indoor/enclosure R-rated medium voltage, current-limiting fuses for motor circuit protection.

Dimensions: See Dimensions illustrations.

Ratings:

Volts: — 2.4-7.2kV (See Catalog Numbers table for details)

Amps: — 25-450A (See Catalog Numbers table for details)

IR: — 50kA Sym

— 80kA ASYM

— See Catalog Numbers table for details



Agency Information: UL Recognized: 2540Vac — JCK, JCK-A, 5080Vac — JCL, JCL-A, UL Recognized (Guide #MSSS2, File #E96676).

Features and Benefits

- Physically dimensioned for retrofitting in existing hardware
- Open fuse indicator for ease in troubleshooting
- Available with optional Cutler Hammer® hookeye for ease of insertion and removal
- Classified as back-up fuses for current-limited protection of medium voltage motor controllers

Typical Applications

- Medium Voltage Motor Controllers

Dimensions - mm (in)

Figure 1

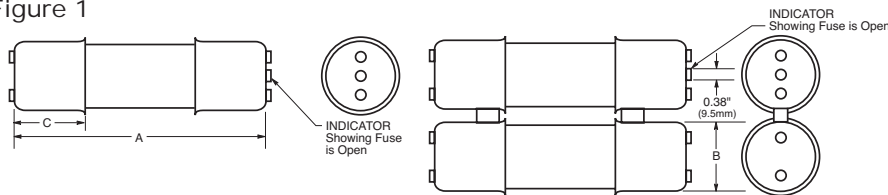


Figure 2

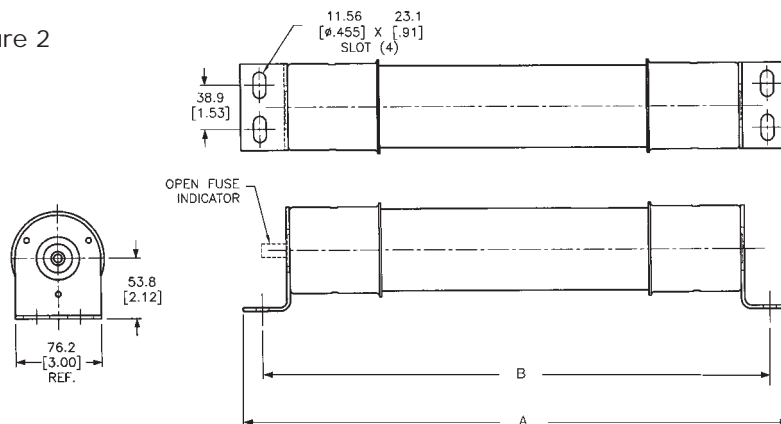
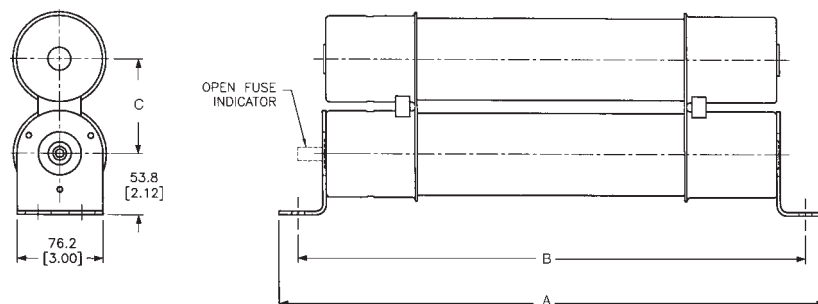


Figure 3



R-rated Fuses for Motor Circuit Protection

Catalog Numbers: R-Rated; Indoor/Enclosure

| Catalog Numbers | Amp Ratings | Maximum Design Voltage | Dimensions - In (mm) | | | Construction | Max Int. Cap. Amps (Asym.) | Amps (Sym.) | Min Int. Cap. Amps (Sym.) |
|---|-------------|------------------------|----------------------|------------|------------|--------------|----------------------------|-------------|---------------------------|
| | | | A | B | C | | | | |
| 4800V — With Westinghouse Ampguard Hookeye (See Figure 1) | | | | | | | | | |
| JCL-A-2R | 70 | 5080 | 15.76 (400.3) | 3.0 (76.2) | 3.0 (76.2) | Single | 80,000 | 50,000 | 165 |
| JCL-A-3R | 100 | 5080 | 15.76 (400.3) | 3.0 (76.2) | 3.0 (76.2) | Single | 80,000 | 50,000 | 220 |
| JCL-A-4R | 130 | 5080 | 15.76 (400.3) | 3.0 (76.2) | 3.0 (76.2) | Single | 80,000 | 50,000 | 320 |
| JCL-A-5R | 150 | 5080 | 15.76 (400.3) | 3.0 (76.2) | 3.0 (76.2) | Single | 80,000 | 50,000 | 410 |
| JCL-A-6R | 170 | 5080 | 15.76 (400.3) | 3.0 (76.2) | 3.0 (76.2) | Single | 80,000 | 50,000 | 480 |
| JCL-A-9R | 200 | 5080 | 15.76 (400.3) | 3.0 (76.2) | 3.0 (76.2) | Single | 80,000 | 50,000 | 720 |
| JCL-A-12R | 230 | 5080 | 15.76 (400.3) | 3.0 (76.2) | 3.0 (76.2) | Single | 80,000 | 50,000 | 970 |
| JCL-A-18R | 390 | 5080 | 15.76 (400.3) | 3.0 (76.2) | 3.0 (76.2) | Double | 80,000 | 50,000 | 1,430 |
| JCL-A-24R | 450 | 5080 | 15.76 (400.3) | 3.0 (76.2) | 3.0 (76.2) | Double | 80,000 | 50,000 | 1,880 |

4800V — Bolt-On (See Figures 2 & 3)

| | | | | | | | | | |
|-----------|-----|------|---------------|---------------|-------------|--------|--------|--------|-------|
| JCL-B-30 | 30 | 5080 | 19.25 (488.9) | 17.88 (454.1) | - | Single | 80,000 | 50,000 | 95 |
| JCL-B-2R | 70 | 5080 | 19.25 (488.9) | 17.88 (454.1) | - | Single | 80,000 | 50,000 | 180 |
| JCL-B-3R | 100 | 5080 | 19.25 (488.9) | 17.88 (454.1) | - | Single | 80,000 | 50,000 | 270 |
| JCL-B-4R | 130 | 5080 | 19.25 (488.9) | 17.88 (454.1) | - | Single | 80,000 | 50,000 | 350 |
| JCL-B-5R | 150 | 5080 | 19.25 (488.9) | 17.88 (454.1) | - | Single | 80,000 | 50,000 | 450 |
| JCL-B-6R | 170 | 5080 | 19.25 (488.9) | 17.88 (454.1) | - | Single | 80,000 | 50,000 | 540 |
| JCL-B-9R | 200 | 5080 | 19.25 (488.9) | 17.88 (454.1) | - | Single | 80,000 | 50,000 | 700 |
| JCL-B-12R | 230 | 5080 | 19.25 (488.9) | 17.88 (454.1) | - | Single | 80,000 | 50,000 | 1,000 |
| JCL-B-18R | 390 | 5080 | 19.25 (488.9) | 17.88 (454.1) | 3.31 (84.1) | Double | 80,000 | 50,000 | 1,450 |
| JCL-B-24R | 450 | 5080 | 19.25 (488.9) | 17.88 (454.1) | 3.31 (84.1) | Double | 80,000 | 50,000 | 2,000 |

4800V — Hermetically Sealed, For Use with Ampguard Motor Starters (See Figure 1)

| | | | | | | | | | |
|-----------|-----|------|---------------|------------|------------|--------|--------|--------|-------|
| JCG-30 | 30 | 5080 | 15.91 (404.1) | 3.0 (76.2) | 3.0 (76.2) | Single | 80,000 | 50,000 | 95 |
| JCG-2R | 70 | 5080 | 15.91 (404.1) | 3.0 (76.2) | 3.0 (76.2) | Single | 80,000 | 50,000 | 180 |
| JCG-3R | 100 | 5080 | 15.91 (404.1) | 3.0 (76.2) | 3.0 (76.2) | Single | 80,000 | 50,000 | 270 |
| JCG-4R | 130 | 5080 | 15.91 (404.1) | 3.0 (76.2) | 3.0 (76.2) | Single | 80,000 | 50,000 | 350 |
| JCG-5R | 150 | 5080 | 15.91 (404.1) | 3.0 (76.2) | 3.0 (76.2) | Single | 80,000 | 50,000 | 450 |
| JCG-6R | 170 | 5080 | 15.91 (404.1) | 3.0 (76.2) | 3.0 (76.2) | Single | 80,000 | 50,000 | 540 |
| JCG-9R | 200 | 5080 | 15.91 (404.1) | 3.0 (76.2) | 3.0 (76.2) | Single | 80,000 | 50,000 | 700 |
| JCG-12R | 230 | 5080 | 15.91 (404.1) | 3.0 (76.2) | 3.0 (76.2) | Single | 80,000 | 50,000 | 1,000 |
| JCG-A-18R | 390 | 5080 | 15.91 (404.1) | 3.0 (76.2) | 3.0 (76.2) | Double | 80,000 | 50,000 | 1,450 |
| JCG-A-24R | 450 | 5080 | 15.91 (404.1) | 3.0 (76.2) | 3.0 (76.2) | Double | 80,000 | 50,000 | 2,000 |

7200V — With Ampguard Hookeye (See Figure 1)

| | | | | | | | | | |
|-----------|-----|------|---------------|------------|------------|--------|--------|--------|-------|
| JCR-A-2R | 70 | 8300 | 15.85 (402.6) | 3.0 (76.2) | 3.0 (76.2) | Single | 80,000 | 50,000 | 160 |
| JCR-A-3R | 100 | 8300 | 15.85 (402.6) | 3.0 (76.2) | 3.0 (76.2) | Single | 80,000 | 50,000 | 250 |
| JCR-A-4R | 130 | 8300 | 15.85 (402.6) | 3.0 (76.2) | 3.0 (76.2) | Single | 80,000 | 50,000 | 325 |
| JCR-A-5R | 150 | 8300 | 15.85 (402.6) | 3.0 (76.2) | 3.0 (76.2) | Single | 80,000 | 50,000 | 390 |
| JCR-A-6R | 170 | 8300 | 15.85 (402.6) | 3.0 (76.2) | 3.0 (76.2) | Single | 80,000 | 50,000 | 500 |
| JCR-A-9R | 200 | 7200 | 15.85 (402.6) | 3.0 (76.2) | 3.0 (76.2) | Single | 80,000 | 50,000 | 750 |
| JCR-A-12R | 230 | 7200 | 15.85 (402.6) | 3.0 (76.2) | 3.0 (76.2) | Single | 80,000 | 50,000 | 1,000 |
| JCR-A-18R | 390 | 7200 | 15.85 (402.6) | 3.0 (76.2) | 3.0 (76.2) | Double | 80,000 | 50,000 | 1,450 |
| JCR-A-24R | 450 | 7200 | 15.85 (402.6) | 3.0 (76.2) | 3.0 (76.2) | Double | 80,000 | 50,000 | 2,500 |

7200V — Bolt-On (See Figures 2 & 3)

| | | | | | | | | | |
|-----------|-----|------|---------------|---------------|-------------|--------|--------|--------|-------|
| JCR-B-2R | 70 | 8300 | 19.25 (488.9) | 17.88 (454.1) | - | Single | 80,000 | 50,000 | 160 |
| JCR-B-3R | 100 | 8300 | 19.25 (488.9) | 17.88 (454.1) | - | Single | 80,000 | 50,000 | 250 |
| JCR-B-4R | 130 | 8300 | 19.25 (488.9) | 17.88 (454.1) | - | Single | 80,000 | 50,000 | 325 |
| JCR-B-5R | 150 | 8300 | 19.25 (488.9) | 17.88 (454.1) | - | Single | 80,000 | 50,000 | 390 |
| JCR-B-6R | 170 | 8300 | 19.25 (488.9) | 17.88 (454.1) | - | Single | 80,000 | 50,000 | 500 |
| JCR-B-9R | 200 | 7200 | 19.25 (488.9) | 17.88 (454.1) | - | Single | 80,000 | 50,000 | 750 |
| JCR-B-12R | 230 | 7200 | 19.25 (488.9) | 17.88 (454.1) | - | Single | 80,000 | 50,000 | 1,000 |
| JCR-B-18R | 390 | 7200 | 19.25 (488.9) | 17.88 (454.1) | 3.31 (84.1) | Double | 80,000 | 50,000 | 1,450 |
| JCR-B-24R | 450 | 7200 | 19.25 (488.9) | 17.88 (454.1) | 3.31 (84.1) | Double | 80,000 | 50,000 | 2,500 |

Recommended fuseclips: see page 91 - 1A0065, A3354730, 9078A67G04.