

Specialty and High Amp Fuses & Fusible Links

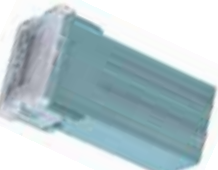
FLN Female Termination Fusible Links With Locking Tab

Part No. (Amps)	Blister Pack
FLN-25	
FLN-30	X



FLS Female Miniature Termination Fusible Links

Part No. (Amps)	Blister Pack
FLS-30	X
FLS-40	X



CBBF Battery Fuses

These fuses are suitable for main and auxiliary circuit protection (alternator outputs, starter motor inputs and accessories) in demanding environments or tight space constraints. Marine-rated under SAE J1117 for ignition protection. Mounting bar with nut and cover available - order Part No. CBBF-MBC.



Part No. (Amps)			
CBBF-30	CBBF-75	CBBF-125	CBBF-225
CBBF-40	CBBF-80	CBBF-150	CBBF-250
CBBF-50	CBBF-90	CBBF-175	CBBF-300
CBBF-60	CBBF-100	CBBF-200	

Fusible Links and Fusible Link Wire

14Vdc BP/FL-14 and BP/FL-16 kits includes 9" length fusible link wire with printed label attached indicating wire gauge numbers; two different ring terminals and crimp connector.

Part No.	Description
BP/FL-14	9-inches of 14 gauge fusible link wire with 3/16" and 1/8" terminals and crimp connector.
BP/FL-16	9-inches of 16 gauge fusible link wire with 1/4" and 3/16" terminals and crimp connector.
BP/FLW-14	Six foot coil of 14 gauge fusible link wire.



ANN & ANL Current Limiters

Often used to protect charging systems in battery-operated forklifts, golf carts and similar applications. These rugged, reliable fuses offer high amp ratings in a compact size just 7/8" x 3 1/16".

Durable glass-laminated melamine body and riveted construction offer superior service life in heavy-duty applications. Clear window provides open-fuse indication.

ANN Very Fast-Acting Current Limiters

For applications up to 800 amps. Uses SFR fuse block - see page 20.

Part No. (Amps)	
ANN-10	ANN-225
ANN-35	ANN-250
ANN-40	ANN-275
ANN-50	ANN-300
ANN-60	ANN-325
ANN-80	ANN-350
ANN-90	ANN-400
ANN-100	ANN-500
ANN-125	ANN-600
ANN-150	ANN-700
ANN-175	ANN-800
ANN-200	



ANL Non Time-Delay Current Limiters

For applications up to 750 amps. Uses SFR fuse block - see page 20.

Part No. (Amps)	
ANL-35	ANL-225
ANL-40	ANL-250
ANL-50	ANL-275
ANL-60	ANL-300
ANL-80	ANL-325
ANL-100	ANL-350
ANL-125	ANL-400
ANL-130	ANL-500
ANL-150	ANL-600
ANL-175	ANL-675
ANL-200	ANL-750



AMG High Amp Stud-Mount Fuses

Part No. (Amps)	Blister Pack
AMG-100	
AMG-125	
AMG-150	
AMG-175	X
AMG-200	
AMG-225	
AMG-250	
AMG-300	

Used for high current applications on selected late model vehicles. AMG fuses are available in amp ratings from 100A to 300A. HMEG fuse block with splash-proof cover is also available - see page 20.



AMI High Amp Stud-Mount Fuses

Part No. (Amps)
AMI-40
AMI-50
AMI-80

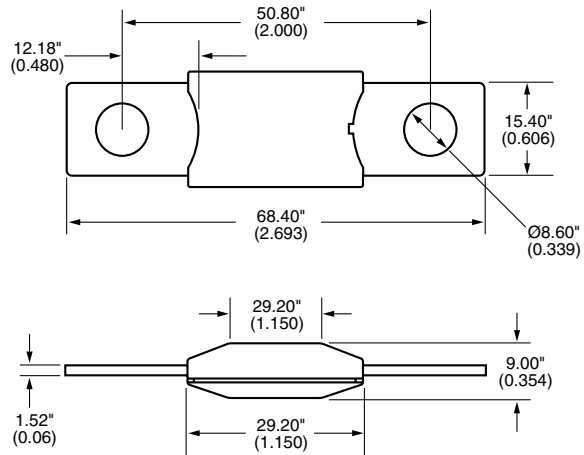
These high amp fuses are used in power distribution protection for automotive systems on some late model cars. AMI fuses are available in amp ratings: 40, 50, and 80A. Uses HMID fuse holder - see page 20.



AMG SERIES



DIMENSIONS (Dims. are shown for reference only. Consult factory for latest prints)



BOLT IN AUTOMOTIVE FUSES

SPECIFICATIONS:

Applications: For high current applications. Use with Bussmann HMG or FMG fuseholders. (See pages 12-13.)

Current Rating: 100-300A.

Voltage Rating: 32VDC.*

Interrupt Rating: 1,000A @ 32VDC.

Housing Material: UL-Rated 94V-0 thermoplastic.

Terminal Material: Copper.

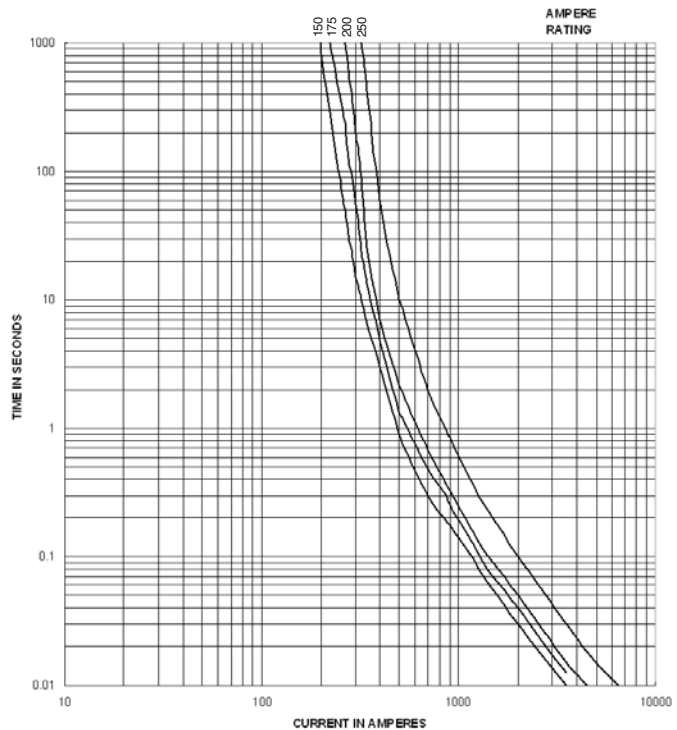
Mounting: M8 or 5/16-18 or less studs on 2.00 in (50.8mm) centers.

Marking: Color-coded amperage ratings.

*Consult factory for higher voltage fuses.

TIME-CURRENT SPECIFICATIONS

% of Rating	Opening Time	
	Minimum	Maximum
100	100 hrs	
135	120 s	1800 s
200	1 s	30 s
350	0.1 s	5 s
600	0.02 s	1 s



PART NUMBERING SYSTEM

Series

B **K** / **A** **M** **G** — **□** **□** **□**

Rating

- 100 – 100 amps
- 125 – 125 amps
- 150 – 150 amps
- 175 – 175 amps
- 200 – 200 amps
- 225 – 225 amps
- 250 – 250 amps
- 300 – 300 amps