
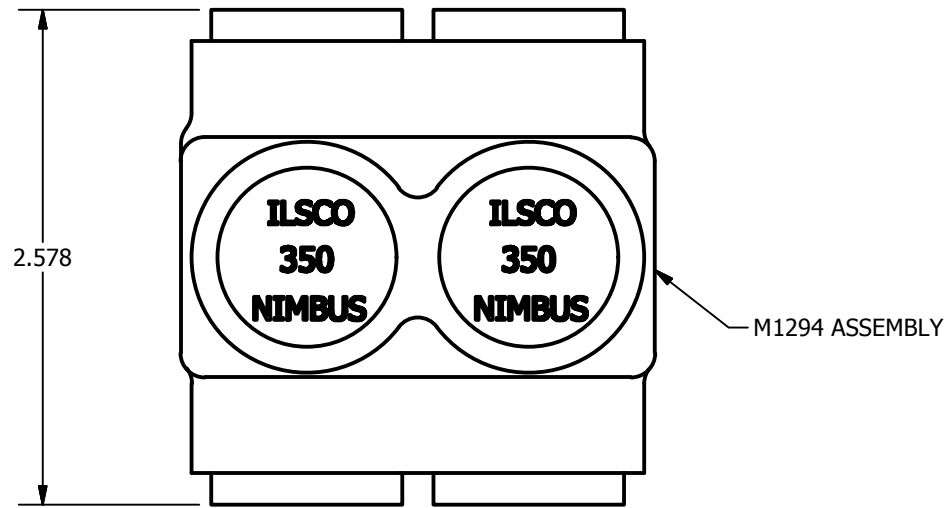


SCREW: E1079	MATERIAL: NONE	REV: G	 800-776-9775 www.ilSCO.com
CAT. NO.: SEE CHART	PLATING: NONE	DRAWN BY: CLH SCALE:	
INFORMATION SHEET: FORM 1	MARKING: NONE	DATE: 1/21/2008 SIZE: B	
			DWG NO: M1294
			SHEET: 1 OF 1



CATALOG #	"L"	# OF SCREW PORTS
PBTD-2-350	2.468	2
PBTD-3-350	3.624	3
PBTD-4-350	4.780	4
PBTD-5-350	5.936	5
PBTD-6-350	7.092	6
PBTD-7-350	8.248	7
PBTD-8-350	9.404	8
PBTD-9-350	10.560	9
PBTD-10-350	11.716	10
PBTD-11-350	12.872	11
PBTD-12-350	14.028	12
PBTD-13-350	15.184	13
PBTD-14-350	16.340	14

