

SCREW: SEE DWG
 CAT. NO.: PDB-55-600-1
 INFORMATION SHEET: NONE

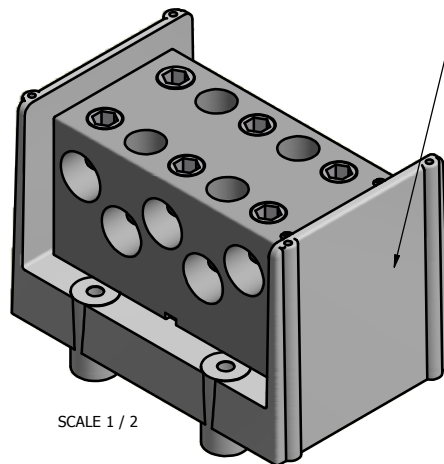
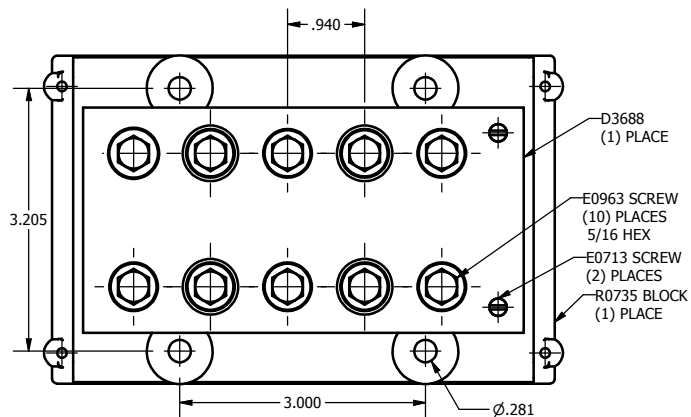
MATERIAL: NONE
 PLATING: NONE
 MARKING: NONE

REV: H
 DRAWN BY: CLH
 DATE: 12/10/2005

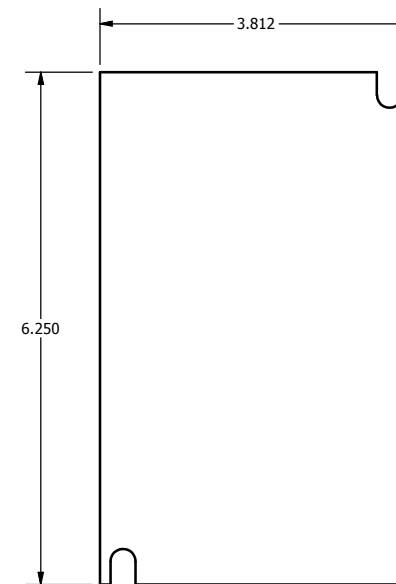
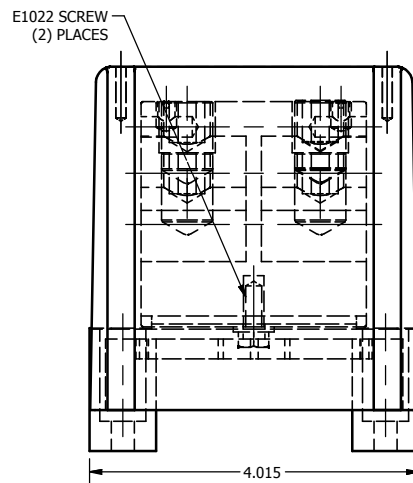
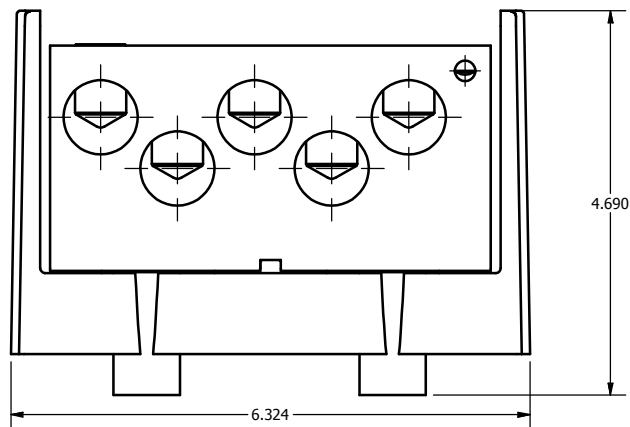
SCALE:
 SIZE: B



DWG NO: M2825-22
 SHEET: 1 OF 1



PDB-55-600-1 ALSO CONTAINS (2) E1076 SCREW, (2) E1101 WASHER, & (1) R0762 COVER



R0762 COVER
 SCALE 1 / 1.5