

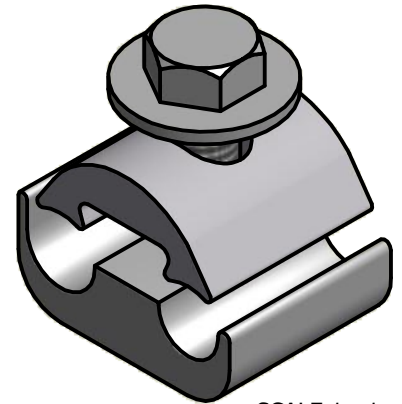
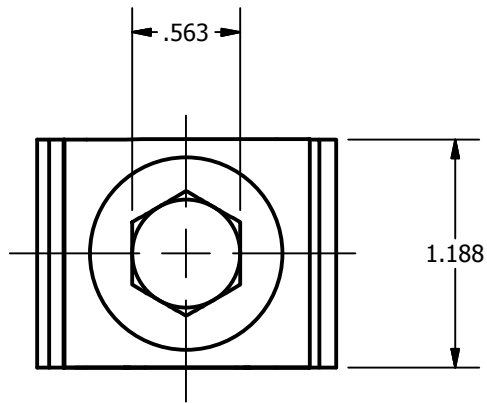
SCREW: E0548  
CAT. NO.: PG-620S  
INFORMATION SHEET: FORM 18

MATERIAL: NONE  
PLATING: NONE  
MARKING: NONE

REV: D  
DRAWN BY: CLH  
DATE: 7/2/2008

SCALE: 1:1  
SIZE: A

**ILSCO**  
connections  
matter  
800-776-9775 www.ilsco.com  
DWG. NO. **M6930-00**  
SHEET: 1 OF 1



SCALE 1 : 1

