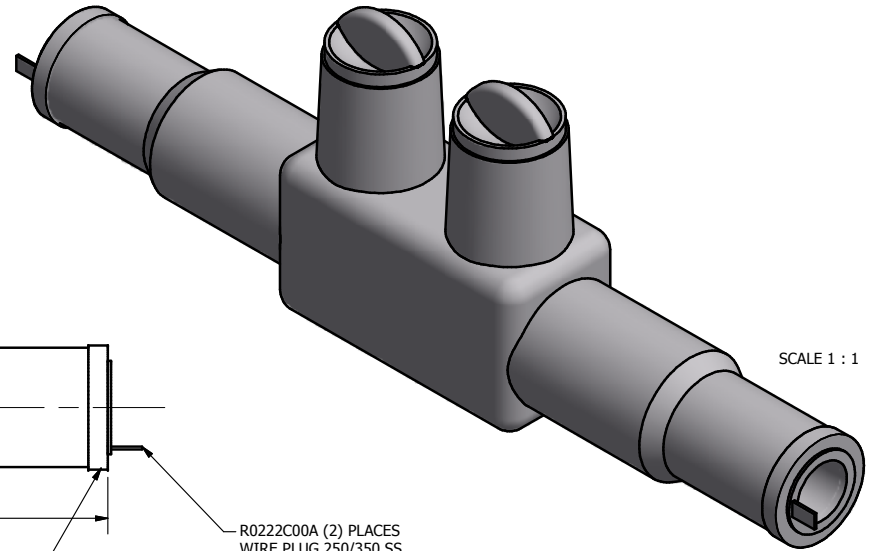


CAT. NO.	SCREW
USPA-350SS-DB	E6141-5/16 HEX
USPA-350SS	E6141-5/16 HEX
USPA-350SSDNMP	E6141-5/16 HEX
USPA-350DNMP	E6141-5/16 HEX
USPA-350SSP	E6096-5/16 HEX
USPA-350SSD	E6096-5/16 HEX
USPA-350SDP	E6096-5/16 HEX

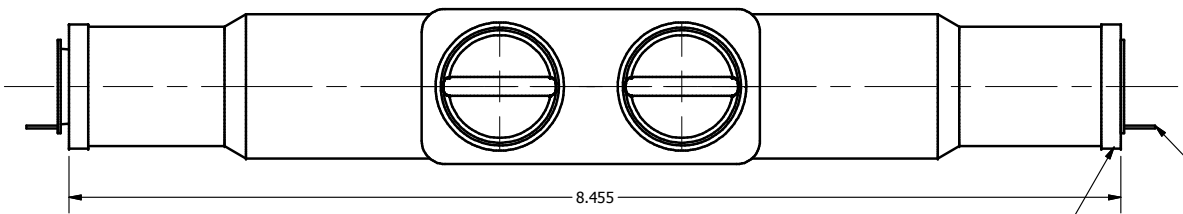
SCREW: SEE CHART	MATERIAL:SEE CHART	REV: I
CAT. NO.: SEE CHART	PLATING: SEE CHART	DRAWN BY:CLH SCALE:
INFORMATION SHEET:FORM 102	MARKING:NONE	DATE:7/21/2008 SIZE: B

**ILSCO**  
 800-776-9775 www.ilSCO.com  
 DWG NO: **M7946**  
 SHEET: 1 OF 1

INFORMATION SHEET FOR USPA-350SS-DB:  
 FORM 104



SCALE 1 : 1



R0222C00A (2) PLACES  
 WIRE PLUG 250/350 SS

R7059C00A (2) PLACES  
 WIRE PLUG 250/350 SS

R7058C00A (2) PLACES  
 EPDM PLUG SCREW PORT

SEE CHART FOR SCREW  
 (2) PLACES

