
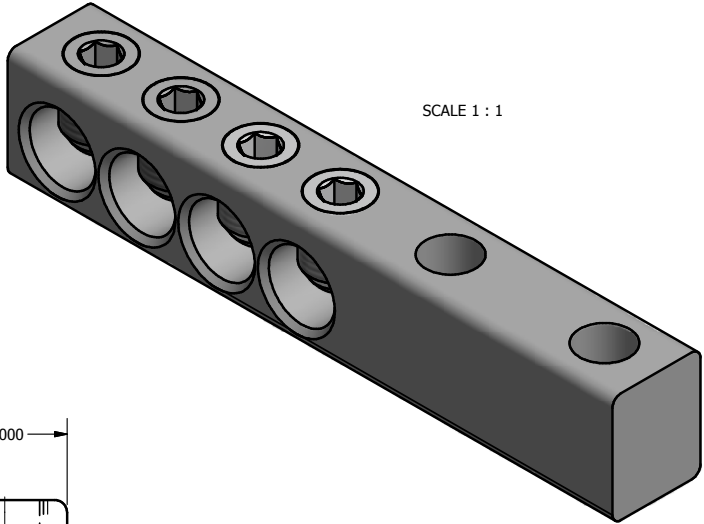
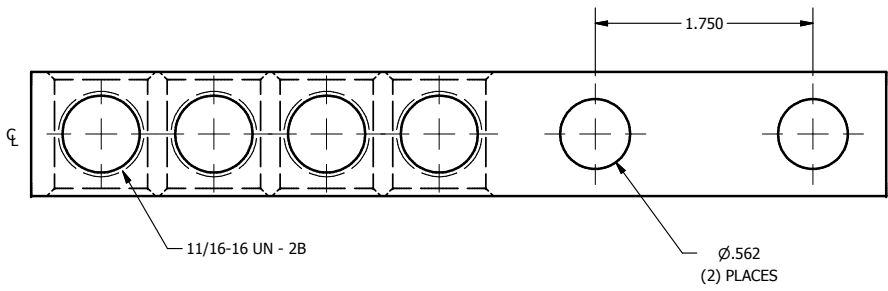
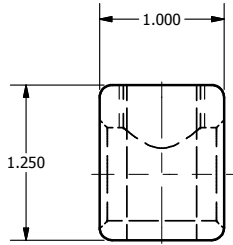
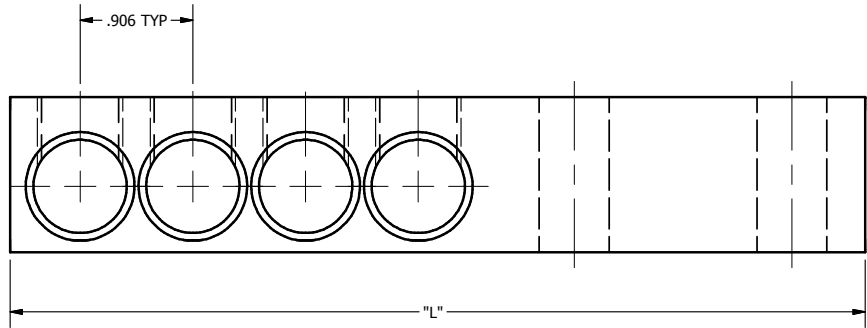


SCREW: SEE CHART	MATERIAL:ALUMINUM	REV: AA	 800-776-9775 www.ilSCO.com		
CAT. NO.: SEE CHART	PLATING: SEE CHART	DRAWN BY:CLH			SCALE: 1:1
INFORMATION SHEET:FORM 18	MARKING: UTILCO, PET 350, 350MCM-10, AL-CU	DATE:9/26/2007			SIZE: B
			DWG NO:	N7865	
			SHEET: 1	OF 1	



SCALE 1 : 1



CATALOG NUMBER	OUTLETS	"L"	SCREW	PLATING
PET4-350	4	6.875	E6141C00T	WAX
PET5-350	5	7.781	E6141C00T	WAX
PET6-350	6	8.687	E6141C00T	WAX
PET8-350	8	10.500	E6141C00T	WAX
PET4-350P	4	6.875	E6141C00T	WAX
PET6-350P	6	8.687	E6141C00T	WAX
PET6-350W	6	8.687	E6141C00T	WAX
PET8-350D	8	10.500	E6096C00T	WAX
PET4-350T	4	6.875	E1411C00T	EL-TIN
PET6-350TP	6	8.687	E1411C00T	EL-TIN

THE INFORMATION CONTAINED WITHIN THIS DOCUMENT IS PROPRIETARY TO ILSICO AND MAY NOT BE DISCLOSED WITHOUT PRIOR WRITTEN CONSENT