

# Standard

## STANDARD LC13TPM

Available for many fluorescent lamp types sold today, including Preheat, Rapid Start, 2-pin CFL, Slimline, High Output, Very High Output and Circline. Magnetic ballasts can be used in any application where these lamps are used.

### Product data

General Information	
Lamp Type	CFQ13W/GX23
Number of Lamps	1 piece/unit
Lamp Footage	-
Ballast Type	Magnetic Fluorescent
Base Model	LC13TP
Suitable For Outdoor Use	Yes
Automatic Restart	Yes

Operating and Electrical	
Input Voltage	120 V
Input Frequency	60 Hz
Total Harmonic Distortion USA	15 %
Ignition Method	Preheat
Crestfactor (Nom)	1.5
Ignition Time (Nom)	1 s
Input Current (Open Circuit)	0
Input Current (Starting)	1.5
Ballast Factor (Nom)	0.93
Power Factor (Nom)	0.49
Input Current (Nom)	0.27 A
Input Power (Nom)	16 W
Rated Lamp Power	13 W

Wiring	
Wire Striplength	0.50/0.375 mm
Lamp Connection	Series
Wire Length by Color	See data sheet
Wire Gauge (Nom)	18AWG mm
Wire Type	Solid
Remote Wiring Configuration Allowed	Yes
Tandem Wiring Configuration Allowed	No
Through Wiring Configuration Allowed	No
Max Ballast-Lamp Distance Remote Wiring	30'
Max Ballast-Lamp Distance Tandem Wiring	-
Max Ballast-Lamp Distance Through Wiring	-

Mechanical and Housing	
Housing Material	Metal
Housing	C2
Housing Dimensions	1.06" x 1.59" x 1.81"

Approval and Application	
EMC Immunity Standard	FCC Non-Consumer
Approval Marks	CSA certificate UL certificate RoHS Compliant
Hum And Noise Level	A
UL Recognized	No

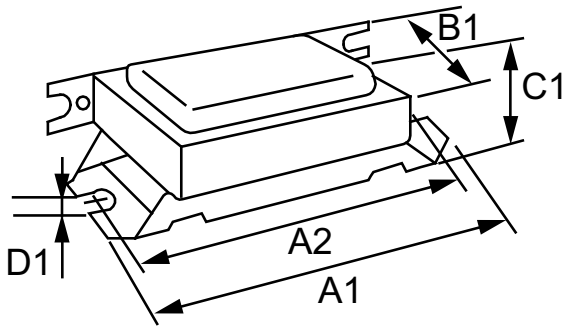
## Standard

### Product Data

Order product name	STANDARD LC13TPM
EAN/UPC - Product	781087003381
Order code	913700507251
Numerator - Quantity Per Pack	1

Numerator - Packs per outer box	50
Material Nr. (12NC)	913700507251
Net Weight (Piece)	0.295 kg

### Dimensional drawing



MAG BALLAST (1) 13W COMPACT(2-PIN) 120V

Product	A1	A2	B1	C1	D1
STANDARD LC13TPM	3.06 in	2.75 in	1.81 in	1.59 in	0.19 in

