



F-can (72C)

F-CAN HID 72C5782NP001

The Philips Advance line of F-can HID ballasts comes in two dual-voltage configurations for the US and Canadian market. Ballasts for these luminaires are most often encased and potted in fluorescent ballast type cans.

Product data

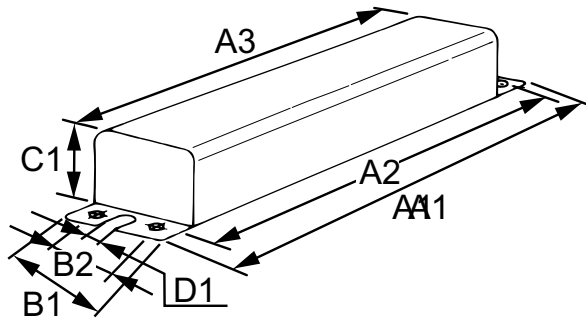
| General Information | | | |
|---------------------------------|---------------------|---|------------------------|
| ANSI Code | M58 | Open Circuit Voltage | 300 V |
| Lamp Type | 250W MH | Input Current (Nom) | 2.6/1.12 A A |
| Number Of Lamps | 1 piece/unit | Input Power (Nom) | 290 W |
| Circuit Type | CWA | Rated Lamp Power | 250W W |
| Ballast Type | Magnetic HID | Wiring | |
| Base Model | 72C5782 | Wire Striplength | 0.5 mm |
| Suitable For Outdoor Use | Yes | Wire Length By Color | 12" |
| Ignitor Catalog Number | NA | Wire Type | Stranded |
| Capacitor Catalog Number | Inside Can | Remote Wiring Configuration Allowed | Yes |
| Automatic Restart | No | Max Ballast-Lamp Distance Remote Wiring | Determined by AWG used |
| Operating and Electrical | | Recommended Fuse Value | 8/4 A |
| Input Voltage | 120/277 V | Mechanical and Housing | |
| Input Frequency | 60 Hz | Housing Material | Metal |
| Power (Rated) (Nom) | 250 W | Housing | F-Can |
| Input Current (Open Circuit) | 2.1/0.9 A | Housing Dimensions | 16.7 x 2.63 x 3.19 |
| Input Current (Starting) | 2.1/0.9 A | Approval and Application | |
| Input Current (Short Circuit) | 1.7-2.55/0.75-1.1 A | Open Circuit Voltage Test (Volts) | 270-330 V |
| Secondary Short Circuit Current | 2.15-2.65 A | Temperature Marking | 90°C max. case |
| Constant Wattage Deviation | 10% | UL Recognized | No |
| Ballast Factor (Nom) | 1 | Hipot Test (1 Minute) | 1600 V |
| Power Factor (Nom) | 0.90 | | |

F-can (72C)

| | |
|------------------------|------------------------|
| Hipot Test (2 Seconds) | 2000 V |
| UL Insulation Class | A(105°C) |
| UL Temperature Code | NA |
| Product Data | |
| Order product name | F-CAN HID 72C5782NP001 |
| EAN/UPC - Product | 781087025314 |

| | |
|---------------------------------|--------------|
| Order code | 913710408901 |
| Numerator - Quantity Per Pack | 1 |
| Numerator - Packs per outer box | 1 |
| Material Nr. (12NC) | 913710408901 |
| Net Weight (Piece) | 7.036 kg |

Dimensional drawing



MH BAL 250W M58 120/277V FCAN

| Product | A1 | A2 | A3 | B1 | B2 | C1 | D1 |
|------------------------|-------|----------|---------|--------|--------|--------|--------|
| F-CAN HID 72C5782NP001 | 12 in | 16.13 in | 15.5 in | 3.9 in | 2.0 in | 2.6 in | 0.3 in |

