



Optanium Step Dim

OPTANIUM IOP2S32SCSD35I

Philips Advance Optanium ballasts with step-dim capability for T5 and T8 fluorescent lamps represent an affordable, energy-efficient, and versatile lighting solution designed to meet energy codes such as California's Title 24 and ASHRAE 90.1-2010 that require end users to reduce lighting power consumption by 50%. Operating from any line voltage switching device, the ballast's programmed-start circuitry provides extended lamp life in frequent switching applications like those associated with the use of occupancy sensors or motion detectors making this product the sustainable choice for many commercial applications.

Product data

General Information	
Lamp Type	F32T8
Number Of Lamps	2 piece/unit
Ballast Type	Electronic Fluorescent
Base Model	IOP2S32SCSD
Suitable For Outdoor Use	Yes
Automatic Restart	Yes
Operating and Electrical	
Input Voltage	120 to 277 V
Input Frequency	50 to 60 Hz
Total Harmonic Distortion USA	10 %
Power (Rated) (Nom)	32 W
Ignition Method	Programmed Start
Crestfactor (Nom)	1.6
Ignition Time (Nom)	1.5 s
Ballast Factor (Nom)	0.87
Power Factor (Nom)	0.98

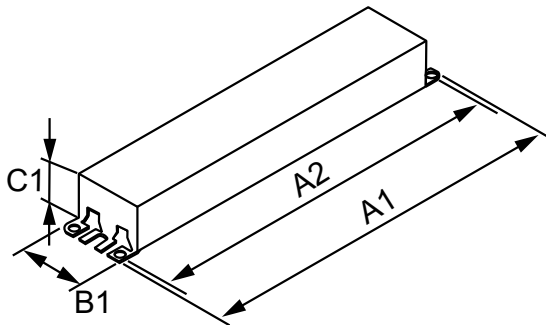
Input Current (Max)	0.47 A
Input Current (Min)	0.21 A
Input Power (Nom)	56-56 W
Rated Lamp Power	32W W
Wiring	
Color Input Terminals	No terminals
Color Output Terminals	No terminals
Wire Striplength	0.50/0.375 mm
Lamp Connection	Series
Wire Length By Color	See data sheet
Wire Gauge (Nom)	18AWG mm
Wire Type	Solid
Remote Wiring Configuration Allowed	Yes
Tandem Wiring Configuration Allowed	Yes
Through Wiring Configuration Allowed	Yes
Max Ballast-Lamp Distance Remote Wiring	7'
Max Ballast-Lamp Distance Tandem Wiring	Any = 7'

Optanium Step Dim

Max Ballast-Lamp Distance Through Wiring Any = 7'	
Connector Type	No connector
Temperature	
T-Case Maximum (Nom)	70 °C
Mechanical and Housing	
Housing Material	Metal
Housing	SC
Housing Dimensions	9.5" x 1.7" x 1.18"
Approval and Application	
EMC Immunity Standard	FCC Non-Consumer
Approval Marks	CSA certificate UL certificate CEC Listing CEE Rated CSA E NEMA Premium RoHS Compliant

Hum And Noise Level	A
UL Recognized	No
Product Data	
Order product name	OPTANIUM IOP2S32SCSD35I
EAN/UPC - Product	781087131169
Order code	913701252401
Numerator - Quantity Per Pack	1
Numerator - Packs per outer box	10
Material Nr. (12NC)	913701252401
Net Weight (Piece)	0.441 kg

Dimensional drawing



ELE BALLAST (2) F32T8 120-277V

Product	A1	A2	B1	C1
OPTANIUM IOP2S32SCSD35I	9.5 in	8.90 in	1.7 in	1.18 in

