



Mark 7 0-10V

MARK 7 0-10V IZT2PSP32SC35I

The Mark 7 0–10V series of dimmable electronic ballasts offer maximum versatility by incorporating separate control leads for use with a wide array of controllers, including occupancy sensors, daylight harvesting controls, and building management systems from more than 40 manufacturers. When paired with linear fluorescent and 4-pin compact fluorescent lamps, these ballasts optimize the benefits of such popular sustainable lighting techniques as daylight harvesting, occupancy sensing, and load shedding to satisfy the need for an affordable, flexible and versatile controllable lighting solution.

Product data

| General Information | | Input Current (Max) | |
|-------------------------------|----------------------|--------------------------------------|----------------|
| Lamp Type | F32T8 | | 0.54 A |
| Number Of Lamps | 2 piece/unit | Input Current (Min) | 0.23 A |
| Ballast Type | Dimmable Fluorescent | Input Current (Nom) | - A |
| Base Model | IZT2PSP32SC | Input Power (Max) | 67 W |
| Suitable For Outdoor Use | Yes | Input Power (Min) | 11 W |
| Automatic Restart | Yes | Rated Lamp Power | 32W W |
| Operating and Electrical | | Wiring | |
| Input Voltage | 120 to 277 V | Color Input Terminals | No terminals |
| Input Frequency | 50 to 60 Hz | Color Output Terminals | No terminals |
| Total Harmonic Distortion USA | 10 % | Wire Striplength | 0.50/0.375 mm |
| Power (Rated) (Nom) | 32 W | Control Wire Gauge | 18AWG |
| Ignition Method | Programmed Start | Lamp Connection | Series |
| Crestfactor (Nom) | 1.6 | Wire Length By Color | See Data Sheet |
| Ignition Time (Nom) | 1.5 s | Wire Gauge (Nom) | 18AWG mm |
| Ballast Factor (Max) | 1.00 | Wire Type | Solid |
| Ballast Factor (Min) | 0.05 | Remote Wiring Configuration Allowed | Yes |
| Power Factor (Nom) | 0.99 | Tandem Wiring Configuration Allowed | Yes |
| | | Through Wiring Configuration Allowed | Yes |

Mark 7 0-10V

| | |
|---|--------------|
| Max Ballast-Lamp Distance Remote Wiring | 6' |
| Max Ballast-Lamp Distance Tandem Wiring | Any = 6' |
| Max Ballast-Lamp Distance Through Wiring | Any = 6' |
| Connector Type | No connector |

Temperature

| | |
|-----------------------------|-------|
| T-Case Maximum (Nom) | 70 °C |
|-----------------------------|-------|

Mechanical and Housing

| | |
|---------------------------|---------------------|
| Housing Material | Metal |
| Housing | SC |
| Housing Dimensions | 9.5" x 1.7" x 1.18" |

Approval and Application

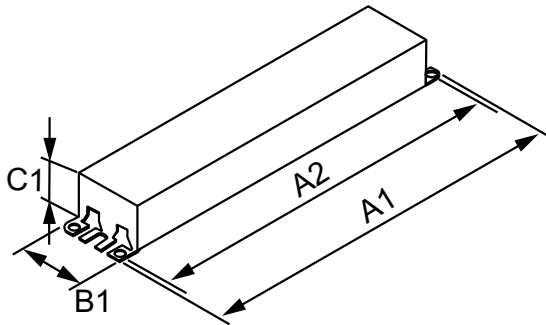
| | |
|------------------------------|--------------|
| EMC Immunity Standard | FCC Consumer |
|------------------------------|--------------|

| | |
|----------------------------|---|
| Approval Marks | CSA certificate UL certificate CEC Listing CEE Rated CSA E NEMA Premium RoHS Compliant |
| Hum And Noise Level | A |
| UL Recognized | No |

Product Data

| | |
|--|-----------------------------|
| Order product name | MARK 7 0-10V IZT2PSP32SC35I |
| EAN/UPC - Product | 781087134849 |
| Order code | 913701260901 |
| Numerator - Quantity Per Pack | 1 |
| Numerator - Packs per outer box | 10 |
| Material Nr. (12NC) | 913701260901 |
| Net Weight (Piece) | 454.000 g |

Dimensional drawing



ELE DIMMING BALLAST (2) F32T8 120-277V

| Product | A1 | A2 | B1 | C1 |
|-----------------------------|---------|---------|---------|---------|
| MARK 7 0-10V IZT2PSP32SC35I | 9.50 in | 8.90 in | 1.70 in | 1.18 in |

