



Mark 7 0-10V

MARK 7 0-10V IZT4PSP32G35M

The Mark 7 0–10V series of dimmable electronic ballasts offer maximum versatility by incorporating separate control leads for use with a wide array of controllers, including occupancy sensors, daylight harvesting controls, and building management systems from more than 40 manufacturers. When paired with linear fluorescent and 4-pin compact fluorescent lamps, these ballasts optimize the benefits of such popular sustainable lighting techniques as daylight harvesting, occupancy sensing, and load shedding to satisfy the need for an affordable, flexible and versatile controllable lighting solution.

Product data

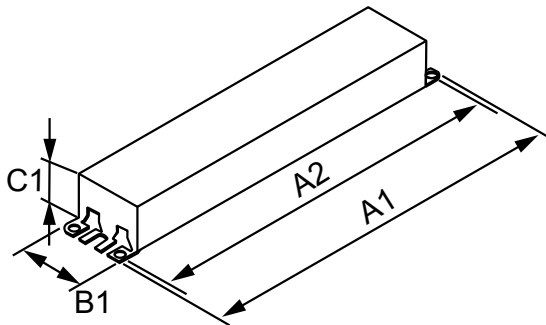
General Information		Input Current (Min)	
Lamp Type	F32T8		0.40 A
Number Of Lamps	4 piece/unit	Input Power (Max)	114 W
Ballast Type	Dimmable Fluorescent	Input Power (Min)	24 W
Base Model	IZT4PSP32G	Rated Lamp Power	32 W
Suitable For Outdoor Use	Yes	Wiring	
Automatic Restart	Yes	Color Input Terminals	Black, White, Violet and Gray
Operating and Electrical		Color Output Terminals	RED, YEL, BLU, BLU/WHT & RED/WHT
Input Voltage	120 to 277 V	Wire Striplength	0.375 mm
Input Frequency	50 to 60 Hz	Control Wire Gauge	18AWG
Total Harmonic Distortion USA	10 %	Lamp Connection	Parallel
Ignition Method	Programmed Start	Wire Length By Color	No wires
Crestfactor (Nom)	1.7	Wire Gauge (Nom)	18AWG mm
Ignition Time (Nom)	1.5 s	Wire Type	Solid
Ballast Factor (Max)	0.88	Remote Wiring Configuration Allowed	No
Ballast Factor (Min)	0.05	Tandem Wiring Configuration Allowed	No
Power Factor (Nom)	0.99	Through Wiring Configuration Allowed	Yes
Input Current (Max)	0.95 A	Max Ballast-Lamp Distance Remote Wiring	No Remote
		Max Ballast-Lamp Distance Tandem Wiring	No Tandem

Mark 7 0-10V

Max Ballast-Lamp Distance Through Wiring	Red Blue BLU/WHT RED/WHT = 5'
Connector Type	Poke-In
Temperature	
T-Case Maximum (Nom)	70 °C
Mechanical and Housing	
Housing Material	Metal
Housing	G
Housing Dimensions	16.7" x 1.7" x 1.18"
Approval and Application	
EMC Immunity Standard	FCC Consumer
Approval Marks	CSA certificate UL certificate CEC Listing CEE Rated NEMA Premium RoHS Compliant

Hum And Noise Level	A
UL Recognized	No
Product Data	
Order product name	MARK 7 0-10V IZT4PSP32G35M
EAN/UPC - Product	781087130766
Order code	913701251002
Numerator - Quantity Per Pack	1
Numerator - Packs per outer box	6
Material Nr. (12NC)	913701251002
Net Weight (Piece)	1.212 kg

Dimensional drawing



MARK 7 0-10V IZT4PSP32G35B

Product	A1	A2	B1	C1
MARK 7 0-10V IZT4PSP32G35M	16.70 in	16.34 in	1.70 in	1.18 in

