



ROVR

ROVR IDA2S32SC35M

Philips Advance ROVR ballasts reflect the latest approach to controlling fluorescent lighting. Rather than simply responding to instructions from control components, ROVR ballasts enable two-way communication, and have the ability to dim and switch individual ballasts through the control signal. These features allow for virtually unlimited design flexibility while creating sustainable lighting systems. This two-way communication is made possible through the industry-standard digital communication protocol known as DALI (Digital Addressable Lighting Interface). This protocol allows ROVR ballasts to provide users with operational data while controlling the output of individual luminaires. This fully supports sustainable design principles such as daylight harvesting and occupancy sensors while enabling a proactive response to maintenance concerns.

Product data

General Information			
Lamp Type	F32T8	Ballast Factor (Max)	1
Number Of Lamps	2 piece/unit	Ballast Factor (Min)	0.03
Ballast Type	Dimmable Fluorescent	Power Factor (Nom)	0.99
Base Model	IDA2S32SC	Input Current (Max)	0.57 A
Suitable For Outdoor Use	Yes	Input Current (Min)	0.24 A
Automatic Restart	Yes	Input Power (Max)	68 W
		Input Power (Min)	14 W
		Rated Lamp Power	32W W
Operating and Electrical		Wiring	
Input Voltage	120 to 277 V	Color Input Terminals	No terminals
Input Frequency	50 to 60 Hz	Color Output Terminals	No terminals
Total Harmonic Distortion USA	10 %	Wire Striplength	0.50/0.375 mm
Power (Rated) (Nom)	32 W	Control Wire Gauge	18AWG
Ignition Method	Programmed Start	Lamp Connection	Series
Crestfactor (Nom)	1.7	Wire Length By Color	See data sheet
Ignition Time (Nom)	1.5 s		

ROVR

Wire Gauge (Nom)	18AWG mm
Wire Type	Solid
Remote Wiring Configuration Allowed	No
Tandem Wiring Configuration Allowed	No
Through Wiring Configuration Allowed	Yes
Max Ballast-Lamp Distance Remote Wiring	No Remote
Max Ballast-Lamp Distance Tandem Wiring	No Tandem
Max Ballast-Lamp Distance Through Wiring	Blue = 5'
Connector Type	No connector

Temperature

T-Case Maximum (Nom)	70 °C
----------------------	-------

Mechanical and Housing

Housing Material	Metal
Housing	SC
Housing Dimensions	9.5" x 1.7" x 1.18"

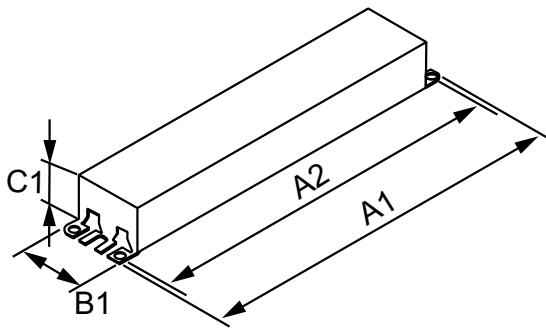
Approval and Application

EMC Immunity Standard	FCC Consumer
Approval Marks	CSA certificate UL certificate CEC Listing CEE Rated CSA E NEMA Premium RoHS Compliant
Hum And Noise Level	A
UL Recognized	No

Product Data

Order product name	ROVR IDA2S32SC35M
EAN/UPC - Product	781087046456
Order code	913710265802
Numerator - Quantity Per Pack	1
Numerator - Packs per outer box	20
Material Nr. (12NC)	913710265802
Net Weight (Piece)	0.454 kg

Dimensional drawing



ELE DIMMING BALLAST (2) F32T8 120-277V

Product	A1	A2	B1	C1
ROVR IDA2S32SC35M	9.5 in	8.90 in	1.7 in	1.18 in

