



Mark 10 Powerline

MARK 10 POWERLINE ELE DIM BALLAST (2) 40W CFL (4-PIN) 277V

For companies looking to make their fixed-output linear T8, 4-pin CFL, and T5/HO fluorescent systems more cost effective and sustainable, Mark 10 Powerline ballasts provide an easy solution without the need for additional control leads. Simply, (1) replace the ballast, (2) replace the switch, (3) dim the lights, that is all it takes. It's that easy to bring the convenience and flexibility of fluorescent dimming to conference rooms, private offices, auditoriums, architectural cove lighting – anywhere dimming is required.

Product data

General Information	
Lamp Type	FT40W/2G11
Number of Lamps	2 piece/unit
Ballast Type	Dimmable Fluorescent
Base Model	VEZ2TTS40SC
Suitable For Outdoor Use	Yes
Automatic Restart	Yes
Operating and Electrical	
Input Voltage	277 V
Input Frequency	60 Hz
Max THD	10 %
Starting Method	Programmed Start
Lamp Current Crest Factor (Nom)	1.7
Ignition Time (Nom)	1.5 s
Ballast Factor (Max)	1
Ballast Factor (Min)	0.05
Power Factor (Nom)	0.99
Input Current (Operating) (Nom)	0.3 A

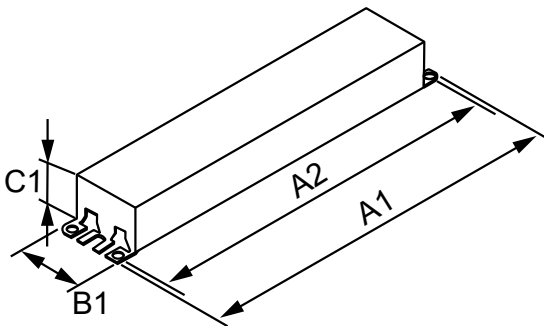
Input Power (Max)	80 W
Input Power (Min)	17 W
Rated Lamp Watts	40 W
Wiring	
Color Input Terminals	No terminals
Color Output Terminals	No terminals
Wire Striplength	0.50/0.375 mm
Control Wire Gauge	NA
Lamp Connection	Series
Wire Length By Color	See data sheet
Wire Gauge (Nom)	18AWG mm
Wire Type	Solid
Remote Wiring Configuration Allowed	Yes
Tandem Wiring Configuration Allowed	No
Through Wiring Configuration Allowed	No
Max Ballast-Lamp Distance Remote Wiring	6'
Max Ballast-Lamp Distance Tandem Wiring	No Tandem
Max Ballast-Lamp Distance Through Wiring	No Through

Mark 10 Powerline

Connector Type	No connector
Temperature	
T-Case Maximum (Nom)	70 °C
Mechanical and Housing	
Housing Material	Metal
Housing	SC
Housing Dimensions	9.5" x 1.7" x 1.18"
Approval and Application	
EMC Immunity Standard	FCC Consumer
Approbation Marks	CSA certificate UL certificate CEC Listing RoHS Compliant

Sound Rating	A
UL Recognized	No
Product Data	
Order product name	MARK 10 POWERLINE VEZ2TTS40SC35M
EAN/UPC - Product	781087117064
Order code	VEZ2TTS40SC35M
Numerator - Quantity Per Pack	1
Numerator - Packs per outer box	20
Material Nr. (12NC)	913710287802
Net Weight (Piece)	404.000 g

Dimensional drawing



ELE DIM BALLAST (2) 40W CFL (4-PIN) 277V

Product	A1	A2	B1	C1
MARK 10 POWERLINE VEZ2TTS40SC35M	9.5 in	8.90 in	1.7 in	1.18 in

