



# F-can (72C)

## F-CAN HID MH BAL 100W M90/140 120/277V FCAN

The Philips Advance line of F-can HID ballasts comes in two dual-voltage configurations for the US and Canadian market. Ballasts for these luminaires are most often encased and potted in fluorescent ballast type cans.

### Product data

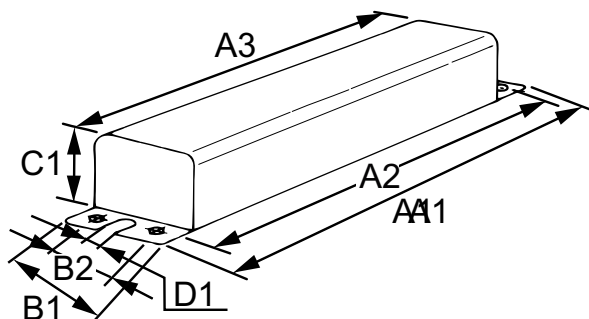
General Information		Nominal Open Circuit Voltage	
ANSI Code	M90-M140(PULSESTART)	Nominal Open Circuit Voltage	277 V
Lamp Type	100W MH	Input Current (Operating) (Nom)	1.1/0.48 A A
Number of Lamps	1 piece/unit	Input Power (Nom)	125 W
Circuit Type	HX-HPF	Rated Lamp Watts	100W W
Ballast Type	Magnetic HID	<b>Wiring</b>	
Base Model	72C5381	Wire Striplength	0.5 mm
Suitable For Outdoor Use	Yes	Wire Length By Color	12"
Ignitor Catalog Number	Inside Can	Wire Type	Stranded
Capacitor Catalog Number	Inside Can	Remote Wiring Configuration Allowed	Yes
Automatic Restart	No	Max Ballast-Lamp Distance Remote Wiring	5'
<b>Operating and Electrical</b>		Recommended Fuse Value	6/3 A
Input Voltage	120/277 V	<b>Mechanical and Housing</b>	
Input Frequency	60 Hz	Housing Material	Metal
Power (Rated) (Nom)	100 W	Housing	F-Can
Inp. Current (Open Circuit)	2.55/1.1 A	Housing Dimensions	11.75 x 2.63 x 3.19
Input Current (Starting)	2.2/0.95 A	<b>Approval and Application</b>	
Input Current (Short Circuit)	0.7-1.1/0.3-0.5 A	Open Circuit Voltage Test (Volts)	250-305 V
Secondary Short Circuit Current	1.3-1.6 A	Temperature Marking	90°C max. case
Constant Wattage Deviation	12%	UL Recognized	No
Ballast Factor (Nom)	1	Hipot Test (1 Minute)	1600 V
Power Factor (Nom)	0.90		

## F-can (72C)

Hipot Test (2 Seconds)	2000 V
UL Insulation Class	A(105°C)
UL Temperature Code	NA
<b>Product Data</b>	
Order product name	F-CAN HID 72C5381NP001
EAN/UPC - Product	781087025277

Order code	72C5381NP001
Numerator - Quantity Per Pack	1
Numerator - Packs per outer box	1
Material Nr. (12NC)	913710408101
Net Weight (Piece)	4.541 kg

### Dimensional drawing



Product	A1	A2	A3	B1	B2	C1	D1
F-CAN HID 72C5381NP001	12 in	11.13 in	10.5 in	3.9 in	2.0 in	2.6 in	0.3 in

MH BAL 100W M90/140 120/277V FCAN

