



AmbiStar

AMBISTAR ELE BALLAST (4) F32T8 120V

Ambistar electronic ballasts are an easy-to-install, energy-efficient replacement solution for optimizing residential and hospitality lighting.

Product data

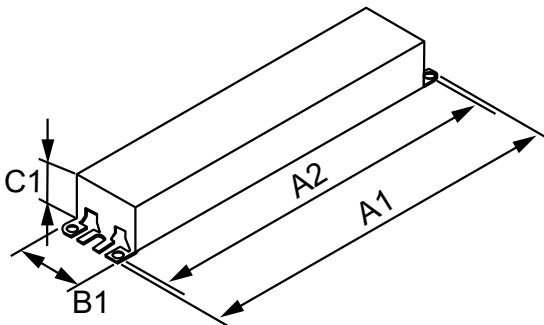
General Information		Wire Striplength	
Lamp Type	F32T8	Wire Striplength	0.50/0.375 mm
Number of Lamps	3/4 piece/unit	Lamp Connection	Parallel
Ballast Type	Electronic Fluorescent	Wire Length By Color	See data sheet
Base Model	REB4P32SC	Wire Gauge (Nom)	18AWG mm
Suitable For Outdoor Use	Yes	Wire Type	Solid
Automatic Restart	Yes	Remote Wiring Configuration Allowed	Yes
		Tandem Wiring Configuration Allowed	Yes
		Through Wiring Configuration Allowed	Yes
		Max Ballast-Lamp Distance Remote Wiring	20'
		Max Ballast-Lamp Distance Tandem Wiring	Any = 20'
		Max Ballast-Lamp Distance Through Wiring	Any = 20'
		Connector Type	No connector
Operating and Electrical		Temperature	
Input Voltage	120 V	T-Case Maximum (Nom)	70 °C
Input Frequency	60 Hz		
Max THD	125 %	Mechanical and Housing	
Starting Method	Instant Start	Housing Material	Metal
Lamp Current Crest Factor (Nom)	1.7	Housing	SC
Ignition Time (Nom)	0.1 s	Housing Dimensions	9.5" x 1.7" x 1.18"
Ballast Factor (Nom)	0.81		
Power Factor (Nom)	0.6	Approval and Application	
Input Current (Operating) (Nom)	1.57 A	EMC Immunity Standard	FCC Consumer
Input Power (Nom)	103 W		
Rated Lamp Watts	32 W		
Wiring			
Color Input Terminals	No terminals		
Color Output Terminals	No terminals		

Approbation Marks	CSA certificate UL certificate CEC Listing Energy Star RoHS Compliant
Sound Rating	A
UL Recognized	No

Product Data	
Order product name	AMBISTAR REB4P32SC35M
EAN/UPC - Product	781087120286

Order code	REB4P32SC35M
Numerator - Quantity Per Pack	1
Numerator - Packs per outer box	20
Material Nr. (12NC)	913710221502
Net Weight (Piece)	422.000 g

Dimensional drawing



ELE BALLAST (4) F32T8 120V

Product	A1	A2	B1	C1
AMBISTAR REB4P32SC35M	9.5 in	8.90 in	1.7 in	1.18 in

