

PHILIPS

Lighting



Standard

STANDARD MAG BALLAST (1) F20T12 PH 120V

Available for many fluorescent lamp types sold today, including Preheat, Rapid Start, 2-pin CFL, Slimline, High Output, Very High Output and Circline. Magnetic ballasts can be used in any application where these lamps are used.

Product data

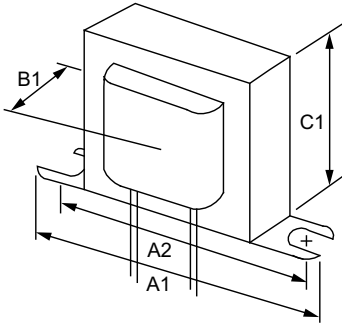
General Information		Rated Lamp Watts	
Lamp Type	F20T12		20W W
Number of Lamps	1 piece/unit		
Lamp Footage	-		
Ballast Type	Magnetic Fluorescent		
Base Model	LO1322		
Suitable For Outdoor Use	Yes		
Automatic Restart	Yes		
Operating and Electrical		Wiring	
Input Voltage	120 V	Wire Striplength	0.50/0.375 mm
Input Frequency	60 Hz	Lamp Connection	Series
Max THD	10 %	Wire Length By Color	See data sheet
Power (Rated) (Nom)	20 W	Wire Gauge (Nom)	18AWG mm
Starting Method	Preheat	Wire Type	Solid
Lamp Current Crest Factor (Nom)	1.5	Remote Wiring Configuration Allowed	Yes
Ignition Time (Nom)	1 s	Tandem Wiring Configuration Allowed	No
Inp. Current (Open Circuit)	0	Through Wiring Configuration Allowed	No
Input Current (Starting)	0.33	Max Ballast-Lamp Distance Remote Wiring	30'
Ballast Factor (Nom)	0.78	Max Ballast-Lamp Distance Tandem Wiring	-
Power Factor (Nom)	0.53	Max Ballast-Lamp Distance Through Wiring	-
Input Current (Operating) (Nom)	0.28 A		
Input Power (Nom)	18 W		
		Mechanical and Housing	
		Housing Material	Metal
		Housing	X3
		Housing Dimensions	3.06" x 1.44" x 1.81"
		Approval and Application	
		EMC Immunity Standard	FCC Non-Consumer
		Sound Rating	A

Standard

UL Recognized	No
Product Data	
Order product name	STANDARD LO1322M
EAN/UPC - Product	781087003572
Order code	LO1322M

Numerator - Quantity Per Pack	1
Numerator - Packs per outer box	72
Material Nr. (12NC)	913710329302
Net Weight (Piece)	0.259 kg

Dimensional drawing



MAG BALLAST (1) F20T12 PH 120V

Product	A1	A2	B1	C1
STANDARD LO1322M	3.06 in	2.75 in	1.44 in	1.81 in

