

Catalog Number
Notes
Type

FEATURES & SPECIFICATIONS

INTENDED USE — General illumination for rough service (vandal-resistant) applications. Designed for indoor and outdoor applications like corridors, walkways, pedestrian tunnels, canopies and drive-through areas. **Certain airborne contaminants can diminish integrity of acrylic.** [Click here for Acrylic Environmental Compatibility table for suitable uses.](#)

Attributes: Lens is a clear, internally frosted, UV-stabilized, injection-molded polycarbonate. Smooth exterior for easy maintenance. Lens is gasketed against moisture and contaminants. Lens is secured to housing with six stainless steel Torx® T-20 tamper-resistant screws (included).

CONSTRUCTION — Housing made from heavy-duty, 16-gauge cold-rolled steel, one-piece design for corner-mounted (VDC) or surface-mounted (VDS) applications. Housing and reinforcing members seam-welded together for strength.

Finish: All metal parts are painted after fabrication in white polyester powder coat for smooth, finished edges and corrosion resistance.

ELECTRICAL — Class P, high-power-factor ballast is standard. Ballast for 32W is standard cold weather with a 0°F starting temperature. Ballast and lampholders are secured to ballast cover to provide easy installation and maintenance. Ballast cover safety chains included.

LISTINGS — UL listed for wet locations (in covered ceiling applications only). UL listed for -20°F (-29°C) to 77° F (25°C) ambient and damp location. CSA Certified or NOM Certified (see Options).

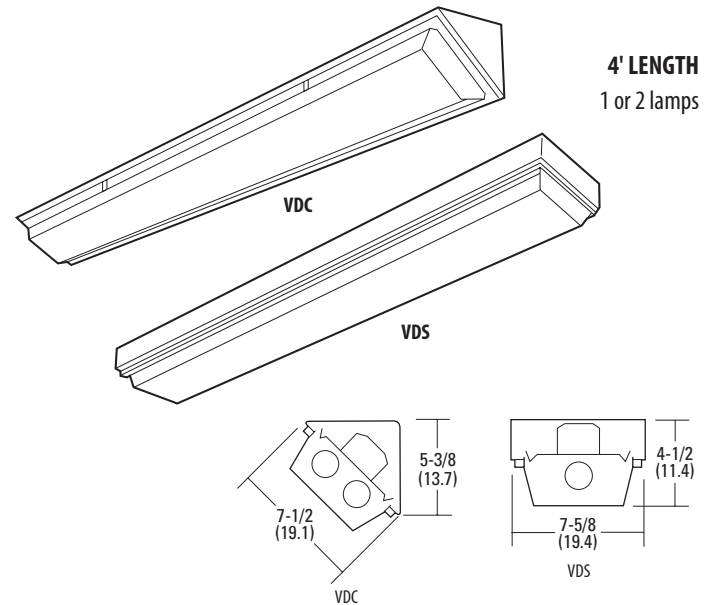
WARRANTY — 1-year limited warranty. Complete warranty terms located at www.acuitybrands.com/CustomerResources/Terms_and_conditions.aspx

Actual performance may differ as a result of end-user environment and application.

Note: Specifications subject to change without notice.

Rough Service Drop-Dish Corner- or Surface-Mount

VDC/VDS



All dimensions are shown in inches (centimeters) unless otherwise noted.

ORDERING INFORMATION

Lead times will vary depending on options selected. Consult with your sales representative.

Example: VDC 1 32 GEB10IS MVOLT

Series	Lamp ¹	Wattage	Lens type	Voltage	Ballast	Options
VDC	1	32 32W T8 (48")	(blank) Clear polycarbonate	120	GEB10IS Electronic ballast, <10% THD, instant start, T8	AL Aluminum housing
VDS	2	48HO 60W T12 800mA (48") ¹	PCLW White polycarbonate	277	GEB10PS Electronic ballast, <10% THD, program start, T5	GLR Internal fast-blow fusing ⁵
		28T5 28T5 (46")		347	GEB10PS90 Electronic ballast, <10% THD, program start, T5HO	GMF Internal slow-blow fusing ⁵
		54T5HO 54T5HO (46")		MVOLT ⁴		NLCFH Compact fluorescent night-light (9W Max.)
						RIF1 Radio interference filter, one per fixture
						STS Stainless steel housing, natural
						STSW Stainless steel housing, white
						CSA CSA Certified
						NOM NOM Certified
						EL14DW Emergency battery pack (nominal 1400 lumens) ^{5,7}

Accessories: Order as separate catalog number.	
RK1 T20BIT	Hex-base driver bit, Torx TX20, for tamper-resistant screws with center reject pin.
RK1 T20DRV	Torx TX20 screwdriver for use with tamper-resistant screws with center reject pin.

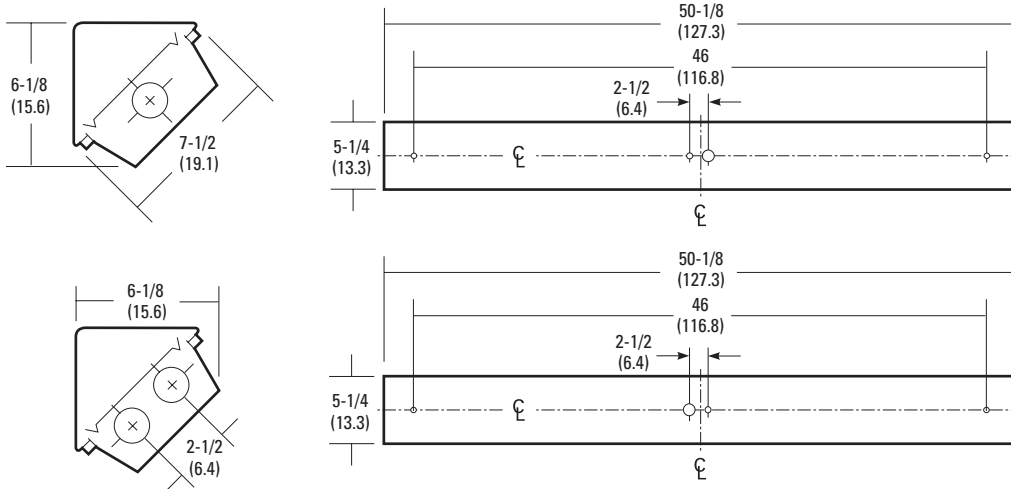
Notes

- Lamps not included.
- Not available with 48HO 347V.
- Must be specified with 48HO for cold weather.
- Electronic ballast 120-277V only.
- Not available with MVOLT.
- Luminaires ordered with the **DW** option (Example: **EL14DW**) will bear the UL Emergency Lighting Equipment label for damp or wet locations, depending on the fixture. 900 lumens for T5HO.
- Must specify voltage; 120 or 277 only.

VDC/VDS 4' Length

MOUNTING DATA

Six mounting holes provided in housing back. Use fasteners suitable for ceiling material. Caulk around all mounting points to maintain wet location integrity.



A = 5/16" dia. hole (6)

B = 7/8" dia. K.O.

Dimensions subject to change without notice.

PHOTOMETRICS

See www.lithonia.com.