



Non-reversing motor starter with non-fusible disconnect
NEMA controller size 0
3-Phase, 3-Pole
Maximum voltage rating 600VAC
Max Hp 60Hz: 2@200V; 2@230V; 5@460V; 5@575V
Solid-state overload relay(s) with 3–12A range
Control voltage 110VAC 50Hz / 120VAC 60Hz
NEMA Type 1 enclosure

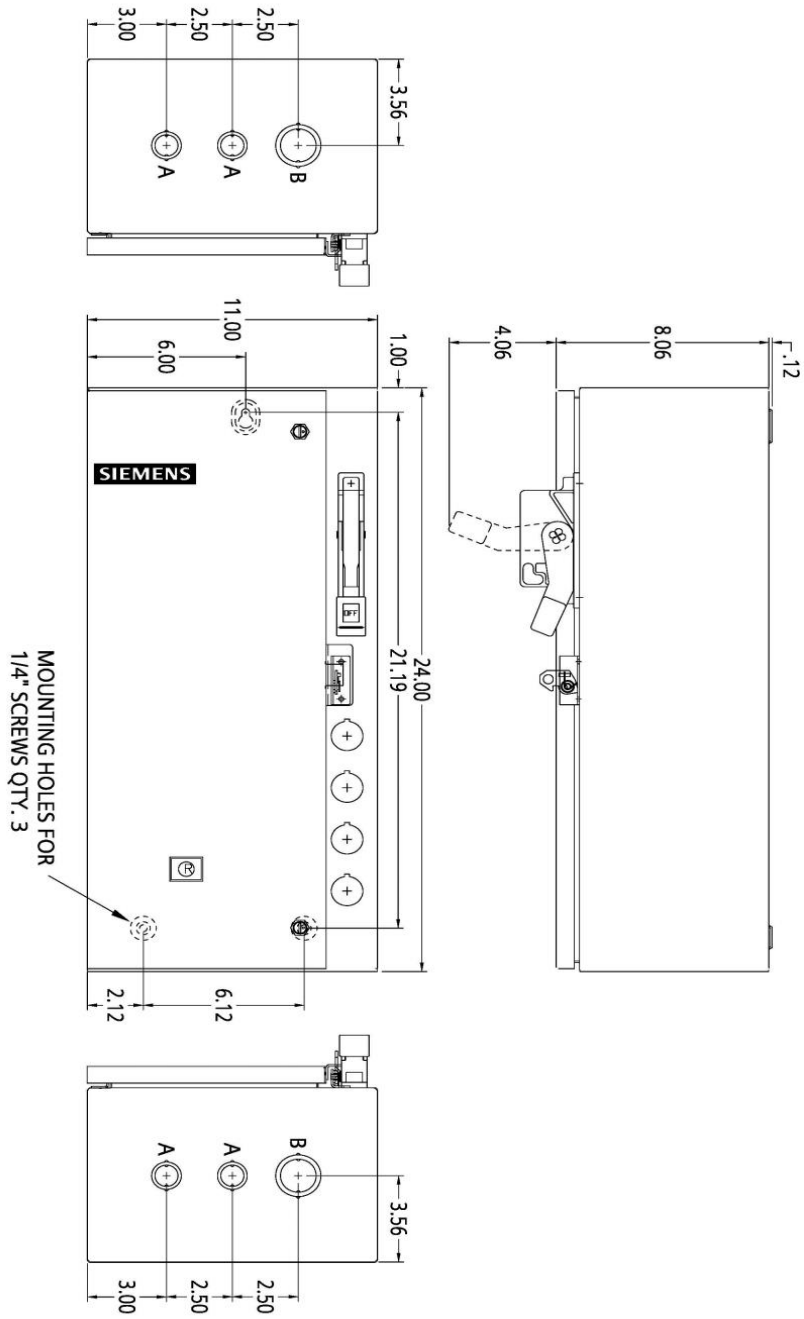


Image is representative and may not depict the actual product.

| General technical data: | |
|---|--|
| Weight | 34 lb |
| Height x Width x Depth | 24 x 11 x 8 in. |
| Finger-safe (main circuit / control circuit) | NA / NA |
| Maximum altitude | 6560 ft |
| Ambient storage temperature | (-30 to 65)°C / (-22 to 149)°F |
| Ambient operating temperature | (-20 to 40)°C / (-4 to 104)°F |
| Humidity (% non-condensing) | (no data) |
| Rated impulse voltage resistance | (no data) |
| Rated insulation voltage | (no data) |
| Country of origin | USA |
| Contactors: | |
| Number of NO main contacts | 3 |
| Amp rating | 18A |
| Mechanical operating cycles | 10,000,000 |
| Internal/standard auxiliary contact: | |
| Number of NC / NO auxiliary contacts | 0NC / 1NO |
| Rating | 10A@600VAC (A600), 5A@600VDC (P600) |
| Optional auxiliary contact: | |
| Max number of NC / NO auxiliary contacts | 8 total |
| Rating | 10A@600VAC (A600), 5A@600VDC (P600) |
| Coil: | |
| Voltage | 110VAC 50Hz / 120VAC 60Hz Coil |
| Sealed watts | 8.6W |
| Inrush / sealed power | 218 / 25 VA |
| Normal coil operating limits (% of rated voltage) | 85% - 110% |
| Typical drop-out volts (% of rated voltage) | 50% |
| Pick-up time / Drop-out time | 19-29 / 10-24 msec |
| Overload Relay: | |
| Current range | 3–12A |
| Trip Class | Class 5 / 10 / 20 (factory set) / 30 |
| Trip detection | Overload, phase failure, phase unbalance, ground fault |
| Phase failure sensitivity | Trip time after phase-loss: < 3 sec |
| Repeat accuracy | Within 1% |
| Reset options | Manual, automatic and remote |
| External reset | Yes |
| Test function | Electronics & manual actuation |
| Conformal coating on printed circuit board | Yes |
| Number of NC / NO auxiliary contacts | 1NC / 1NO |
| Rating of auxiliary contacts | 5A@600VAC (B600), 1A@250VDC (R300) |

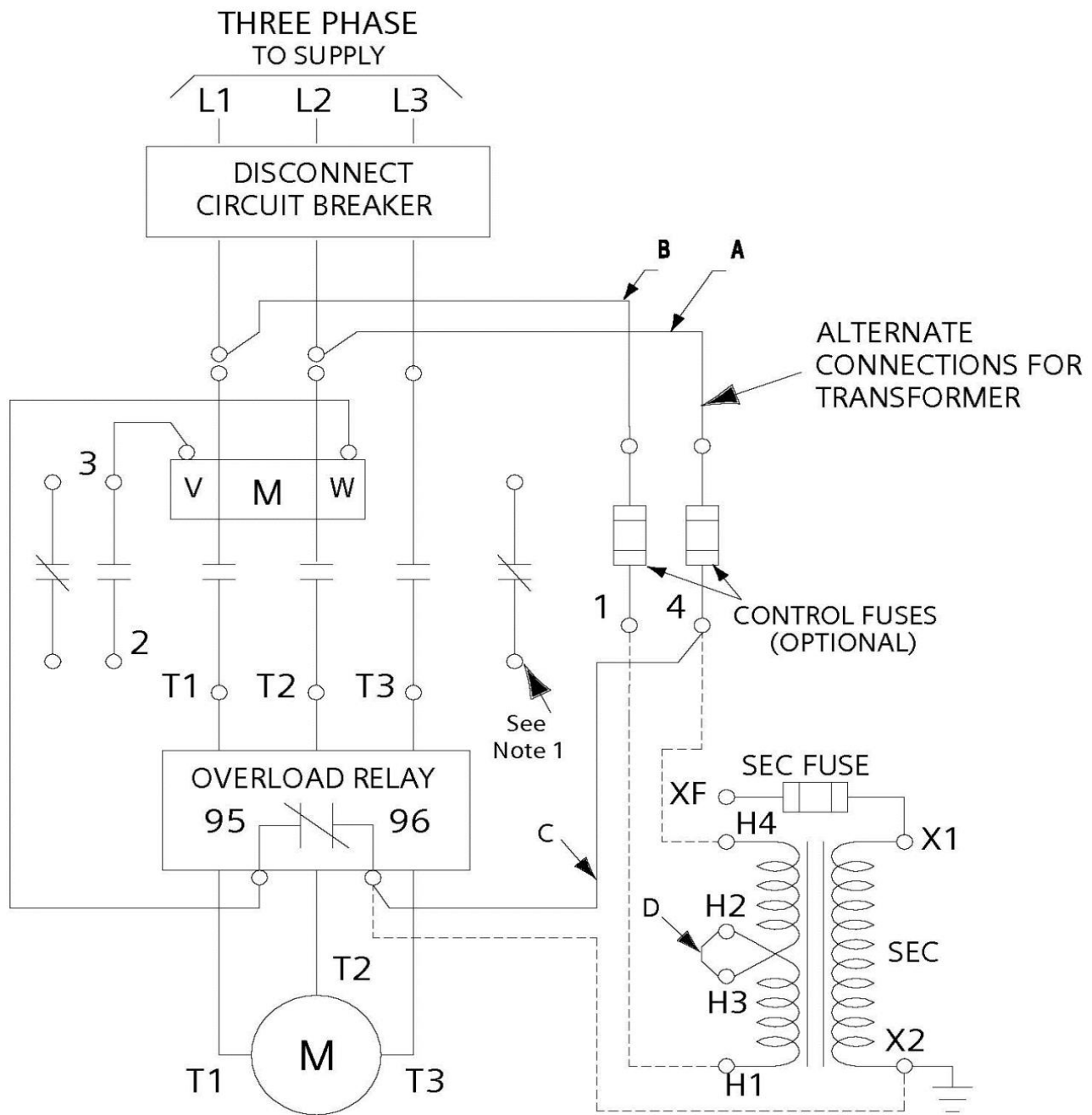
| | |
|--|--|
| Single contact isolation | 600V |
| Dual contact isolation | 300V differing polarity / 600V common polarity |
| Disconnect Switch: | |
| Rating | 30A/600V non-fusible |
| Fuse type accepted | NA |
| Enclosure: | |
| Type | NEMA Type 1 enclosure |
| Rating | Indoor general purpose use |
| Mounting/wiring: | |
| Mounting orientation | Vertical |
| Mounting type | Surface |
| Line side connection type / torque | Box lug / 35 lb in (14 - 10); 40 lb in (8); 45 lb in (6 - 4) AWG |
| Line side solid & stranded conductors | 1x(14 - 2 AWG) 60/75°C AL or CU |
| Load side connection type / torque | Screw / 20 lb-in. |
| Load side solid & stranded conductors | 1x(14 - 2 AWG) 75°C AL or CU |
| Coil connection type / torque | Screw / 5 lb in. - 12 lb in. |
| Coil solid & stranded conductors | 2 x (16 - 12 AWG) CU 60/75°C |
| Main auxiliary contact connection type / torque | Screw / 10 - 15 lb-in |
| Main auxiliary contact solid & stranded conductors | 1 x (12 AWG), 2 x (16 - 14 AWG), 2 x (18 - 16 AWG) 75°C CU |
| OLR auxiliary contact connection type / torque | Screw / 7 lb in. - 10 lb in. |
| OLR auxiliary contact solid & stranded conductors | 2 x (20 - 14 AWG) CU 60/75°C |
| Short circuit current rating: | |
| Fuses | 10kA@600V (Class H or K); 100kA@600V (Class R or J) |
| Certificates/approvals: | |
| | UL (file no. E185287) |
| | cUL (file no. E185287 for Canada) |
| | CSA (file no. LR 6535) |
| | ISO 9001 certification |
| Additional information: | |
| | Brochure |
| | OLR instruction sheet & trip curves |

OUTLINE 24X11X8 NEMA 1



| LETTER | CONDUIT SIZE |
|--------|---------------------------------------|
| A | 1/2" & 3/4" CONDUIT TYP. TOP & BOTTOM |
| B | 1" & 1-1/4" CONDUIT TYP. TOP & BOTTOM |

DIMENSIONS ARE IN INCHES.
 FILE NAME: SFIS-D68774001-0211



REF. D68782001