

SENTRON, Fuse switch disconnecter 3NP1, 3-pole, NH3, 630 A, for assembly and installation on mounting plate, flat terminal, cover level 70 mm



Model	
Product brand name	SENTRON
Product designation	3NP1 fuse switch disconnecter
Design of the product	cover level 70 mm
Design of the safety monitoring	Without
Design of the operating mechanism	Cover handle
Design of the load switch / Strip form	No
Type of the driving mechanism / motor drive	No

General technical data	
Number of poles	3
Type of device	For assembly and installation on mounting plate
Size of disconnecting link	3 and 2
Size of fuse link	NH2, NH3
Continuous current / at 35 °C / rated value	630 A
Let-through current / with closed switch / maximum permissible	60 kA
cut-off value $I^{**2t,max.}$ / 500 V	5 400 000 A ² ·s
Power factor	
• at AC-22 B	0.65

<ul style="list-style-type: none"> • at AC-23 B 	0.35
<ul style="list-style-type: none"> • with capacitive load 	-0.25
circuit-breaker / Design	3NP11
Mechanical service life (switching cycles) / typical	1 000
Fuse system	LV HRC fuse

Voltage

Insulation voltage / rated value	690 V
Power factor / at AC-21 B	0.95
Surge voltage resistance / rated value	8 kV

Protection class

Protection class IP	
<ul style="list-style-type: none"> • with closed switch / with cover or cable lug cover 	IP40
<ul style="list-style-type: none"> • with closed switch / without cover or cable lug cover 	IP30
<ul style="list-style-type: none"> • on the front 	IP40
<ul style="list-style-type: none"> • open 	IP20

Electricity

Continuous current	
<ul style="list-style-type: none"> • rated value 	630 A
<ul style="list-style-type: none"> • at 40 °C / rated value 	610 A
<ul style="list-style-type: none"> • at 45 °C / rated value 	575 A
<ul style="list-style-type: none"> • at 50 °C / rated value 	555 A
<ul style="list-style-type: none"> • at 55 °C / rated value 	530 A
Let-through current / with high-speed activation / maximum permissible	50 kA
Let-through current / I _c / maximum permissible	
<ul style="list-style-type: none"> • 400 V 	60 000 A
<ul style="list-style-type: none"> • 500V 	60 000 A
cut-off value I ² t _{max} / 400 V	5 400 000 A ² ·s

Main circuit

Operating voltage	
<ul style="list-style-type: none"> • at AC / rated value / maximum 	690 V
<ul style="list-style-type: none"> • at DC / rated value 	440 V
<ul style="list-style-type: none"> • at DC / rated value / maximum 	440 V
Operating current / with capacitive load	
<ul style="list-style-type: none"> • at 400 V / maximum 	72 A
<ul style="list-style-type: none"> • at 500 V / maximum 	55 A

Auxiliary circuit

Number of CO contacts / for auxiliary contacts	0
Number of NC contacts / for auxiliary contacts	0

Number of NO contacts / for auxiliary contacts	0
Suitability	
Suitability for use	
• Main switch	No
• switch disconnecter	Yes
• EMERGENCY OFF switch	No
• safety switch	Yes
• maintenance/repair switch	Yes
Product details	
Product feature / interlock	Yes
Product component	
• Trip indicator	No
• Phase failure monitoring	No
• undervoltage release	No
• undervoltage release with leading contact	No
Product feature / sealable	Yes
Product extension	
• Auxiliary switch	Yes
• optional	
— locking capability	Yes
— motor drive	No
— Phase failure monitoring	Yes
— fuse monitoring	Yes
— Voltage trigger	No
— Overvoltage protection monitoring	Yes
Product function	
Product function	
• fuse monitoring	No
• Overvoltage protection monitoring	No
Short circuit	
Conditional short-circuit current (I _q)	
• rated value	50 kA
• at AC / at 500 V / with high-speed activation / rated value	50 kA
• at AC / at 690 V / with high-speed activation / rated value	50 kA
• with closed switch / at AC / at 500 V / rated value	100 kA
• with closed switch / at AC / at 690 V / rated value	100 kA

Connections	
Arrangement of electrical connectors / for main current circuit	other
Connectable conductor cross-section / for main contacts	
<ul style="list-style-type: none"> • single or multi-stranded / minimum 	120 mm ²
<ul style="list-style-type: none"> • single or multi-stranded / maximum 	300 mm ²
<ul style="list-style-type: none"> • stranded / minimum 	120 mm ²
<ul style="list-style-type: none"> • stranded / maximum 	300 mm ²
Tightening torque / with screw-type terminals	
<ul style="list-style-type: none"> • minimum 	10 N·m
<ul style="list-style-type: none"> • maximum 	12 N·m
Type of electrical connection / for main current circuit	busbar connection

Mechanical Design	
Height	306 mm
Width	249.4 mm
Depth	134.5 mm
Mounting position	horizontal/vertical
Mounting type	mounting plate
Mounting type	
<ul style="list-style-type: none"> • floor mounting 	Yes
<ul style="list-style-type: none"> • front mounting 	No
<ul style="list-style-type: none"> • front mounting with 4-hole attachment 	No
<ul style="list-style-type: none"> • front mounting with central attachment 	No
<ul style="list-style-type: none"> • rail mounting 	No
Net weight	4.63 kg

Environmental conditions	
Degree of pollution	3
Ambient temperature	
<ul style="list-style-type: none"> • during operation / minimum 	-25 °C
<ul style="list-style-type: none"> • during operation / maximum 	55 °C
<ul style="list-style-type: none"> • during storage / minimum 	-50 °C
<ul style="list-style-type: none"> • during storage / maximum 	80 °C

Certificates	
Reference code	
<ul style="list-style-type: none"> • acc. to DIN EN 61346-2 	Q
<ul style="list-style-type: none"> • acc. to DIN EN 81346-2 	Q

General Product Approval	Declaration of Conformity	Test Certificates
--------------------------	---------------------------	-------------------



CCC



UR



VDE

[Miscellaneous](#)



EG-Konf.

[Special Test Certificate](#)

Test Certificates	Shipping Approval
-------------------	-------------------

[Type Test Certificates/Test Report](#)



LRS

Further information

Information- and Downloadcenter (Catalogs, Brochures,...)

<http://www.siemens.com/lowvoltage/catalogs>

Industry Mall (Online ordering system)

<https://mall.industry.siemens.com/mall/en/en/Catalog/product?mlfb=3NP1163-1DA10>

Service&Support (Manuals, Certificates, Characteristics, FAQs,...)

<https://support.industry.siemens.com/cs/ww/en/ps/3NP1163-1DA10>

Image database (product images, 2D dimension drawings, 3D models, device circuit diagrams, ...)

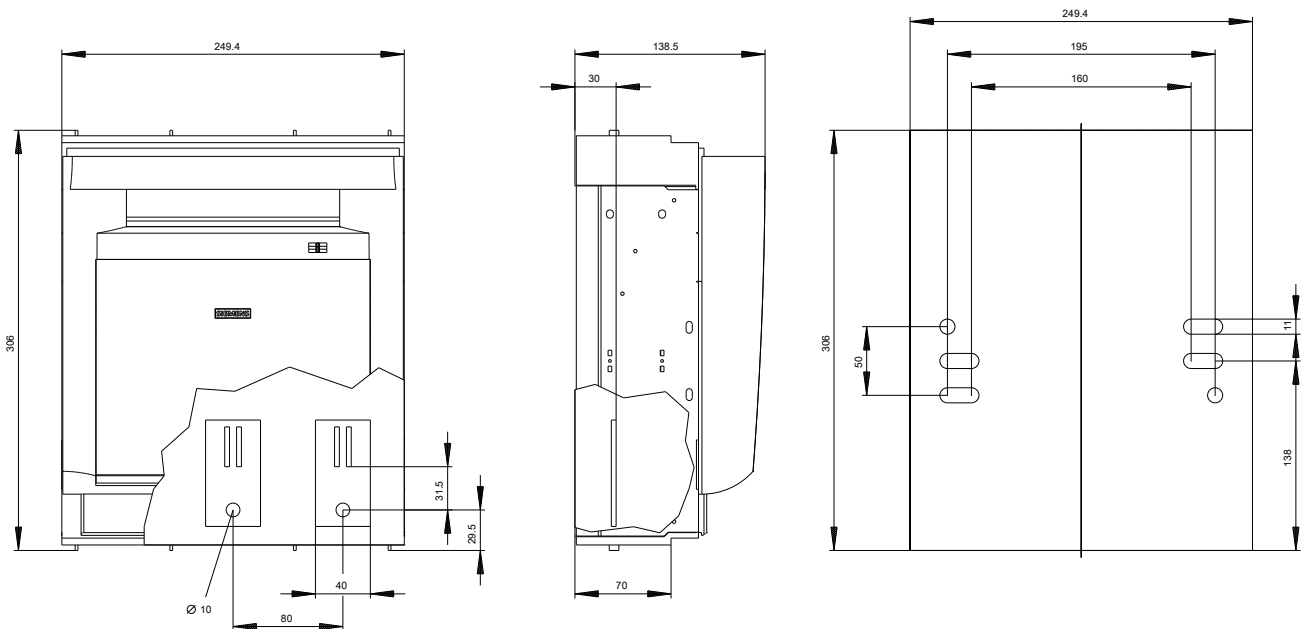
http://www.automation.siemens.com/bilddb/cax_en.aspx?mlfb=3NP1163-1DA10

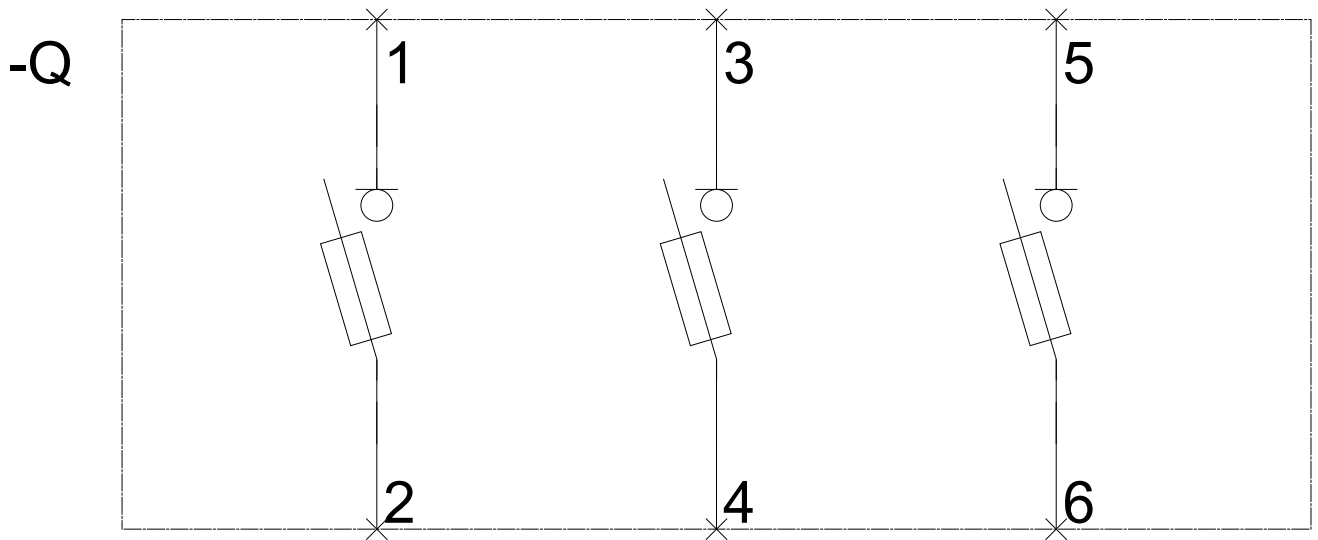
CAX-Online-Generator

<http://www.siemens.com/cax>

Tender specifications

<http://www.siemens.com/specifications>





-CB

