

OVERLOAD RELAY 50...200 A FOR MOTOR PROTECTION SIZE S6, CLASS 10 MOUNT. ONTO CONT./ STAND-ALONE MAIN CIRCUIT: THROUGH TRANSF. AUX. CIRCUIT: SCREW CONNECTION MANUAL-AUTOMATIC-RESET



product brand name	SIRIUS
Product designation	solid-state overload relay

General technical data:

Size of contactor can be combined company-specific	S6
Active power loss total typical	0.05 W
Insulation voltage	1 000 V
<ul style="list-style-type: none"> <li>with degree of pollution 3 Rated value</li> </ul>	
Surge voltage resistance Rated value	8 kV
Protection class IP	IP20
<ul style="list-style-type: none"> <li>on the front</li> </ul>	
Type of assignment	2
Type of protection	PTB 06 ATEX 3001 Ex II (2) GD
Equipment marking	
<ul style="list-style-type: none"> <li>acc. to DIN EN 61346-2</li> </ul>	F
<ul style="list-style-type: none"> <li>acc. to DIN EN 81346-2</li> </ul>	F

Ambient conditions:

Installation altitude at height above sea level maximum	2 000 m
Ambient temperature	
<ul style="list-style-type: none"> <li>during operation</li> </ul>	-25 ... +60 °C
<ul style="list-style-type: none"> <li>during storage</li> </ul>	-40 ... +80 °C
<ul style="list-style-type: none"> <li>during transport</li> </ul>	-40 ... +80 °C
Relative humidity during operation	100 %

Main circuit:

<b>Number of poles for main current circuit</b>	3
<b>Adjustable response value current of the current-dependent overload release</b>	50 ... 200 A
<b>Operating voltage</b>	
• at AC-3 Rated value maximum	1 000 V

#### Auxiliary circuit:

<b>Number of NC contacts</b>	
• for auxiliary contacts	1
<b>Number of NO contacts</b>	
• for auxiliary contacts	1
<b>Number of CO contacts</b>	
• for auxiliary contacts	0
<b>Operating current of the auxiliary contacts at AC-15</b>	
• at 24 V	4 A
• at 110 V	4 A
• at 120 V	4 A
• at 125 V	4 A
• at 230 V	3 A
<b>Operating current of the auxiliary contacts at DC-13</b>	
• at 24 V	2 A
• at 60 V	0.55 A
• at 110 V	0.3 A
• at 125 V	0.3 A
• at 220 V	0.11 A

#### Protective and monitoring functions:

<b>Trip class</b>	CLASS 10
-------------------	----------

#### Short-circuit:

<b>Design of the fuse link</b>	
• for short-circuit protection of the auxiliary switch required	fuse gL/gG: 6 A

#### Installation/ mounting/ dimensions:

<b>mounting position</b>	any
<b>Mounting type</b>	direct mounting / stand-alone installation
<b>Height</b>	119 mm
<b>Width</b>	120 mm
<b>Depth</b>	155 mm
<b>Required spacing</b>	
• with side-by-side mounting	
— forwards	0 mm
— Backwards	0 mm
— upwards	0 mm

— downwards	0 mm
— at the side	0 mm
• for grounded parts	
— forwards	0 mm
— Backwards	0 mm
— upwards	0 mm
— at the side	6 mm
— downwards	0 mm
• for live parts	
— forwards	0 mm
— Backwards	0 mm
— upwards	0 mm
— downwards	0 mm
— at the side	6 mm

#### Connections/ Terminals:

<b>Product function</b>	
• removable terminal for auxiliary and control circuit	Yes
<b>Type of electrical connection</b>	
• for main current circuit	straight-through transformers
• for auxiliary and control current circuit	screw-type terminals
<b>Type of connectable conductor cross-section</b>	
• for auxiliary contacts	
— solid	0.5 ... 4 mm <sup>2</sup> , 2x (0.5 ... 2.5 mm <sup>2</sup> )
— finely stranded with core end processing	0.5 ... 2.5 mm <sup>2</sup> , 2x (0.5 ... 1.5 mm <sup>2</sup> )
• for AWG conductors for auxiliary contacts	2x (20 ... 14)

#### Mechanical data:

<b>Size of overload relay</b>	S6
-------------------------------	----

#### Electromagnetic compatibility:

<b>Conducted interference due to burst acc. to IEC 61000-4-4</b>	2 kV (power ports), 1 kV (signal ports) corresponds to degree of severity 3
<b>Conducted interference due to conductor-earth surge acc. to IEC 61000-4-5</b>	2 kV (line to earth) corresponds to degree of severity 3
<b>Conducted interference due to conductor-conductor surge acc. to IEC 61000-4-5</b>	1 kV (line to line) corresponds to degree of severity 3
<b>Field-bound parasitic coupling acc. to IEC 61000-4-3</b>	10 V/m
<b>Electrostatic discharge acc. to IEC 61000-4-2</b>	6 kV contact discharge / 8 kV air discharge

#### Certificates/ approvals:

General Product Approval	EMC	For use in hazardous locations
--------------------------	-----	--------------------------------



Declaration of Conformity	Test Certificates	Shipping Approval
---------------------------	-------------------	-------------------



[spezielle Prüfbescheinigungen](#)

[Typprüfbescheinigung/Werkszeugnis](#)



Shipping Approval	other
-------------------	-------



[sonstig](#)

[Umweltbestätigung](#)

#### Further information

##### Information- and Downloadcenter (Catalogs, Brochures,...)

<http://www.siemens.com/industrial-controls/catalogs>

##### Industry Mall (Online ordering system)

<http://www.siemens.com/industrymall>

##### Cax online generator

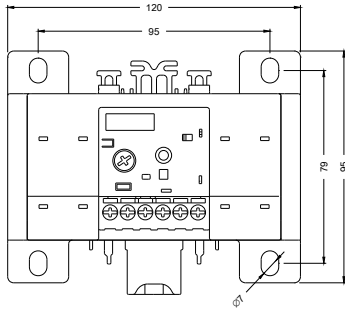
<http://support.automation.siemens.com/WW/CAXorder/default.aspx?lang=en&mlfb=3RB20561FW2>

##### Service&Support (Manuals, Certificates, Characteristics, FAQs,...)

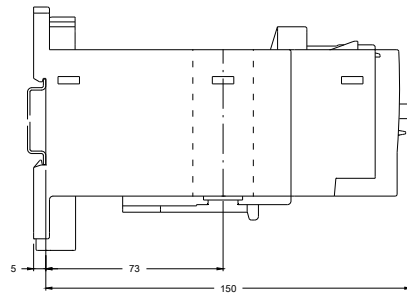
<https://support.industry.siemens.com/cs/ww/en/ps/3RB20561FW2>

##### Image database (product images, 2D dimension drawings, 3D models, device circuit diagrams, EPLAN macros, ...)

[http://www.automation.siemens.com/bilddb/cax\\_de.aspx?mlfb=3RB20561FW2&lang=en](http://www.automation.siemens.com/bilddb/cax_de.aspx?mlfb=3RB20561FW2&lang=en)



last modified:



29.06.2015