

3-PHASE LINE-SIDE TERMINAL SIZE S0,
CONNECTION FROM ABOVE



General technical data:

product brand name		SIRIUS
Product designation		Three-phase feeder terminal
Size of the circuit-breaker		S00, S0
Protection class IP on the front		IP20
Insulation voltage with degree of pollution 3 rated value	V	690
Ambient temperature		
• during storage	°C	-50 ... +80
• during operation	°C	-20 ... +60
Ampacity maximum	A	63

Installation/ mounting/ dimensions:

Width	mm	44.5
Height	mm	39
Depth	mm	27.2

Connections/ Terminals:

Type of electrical connection for main current circuit		screw-type terminals
Type of connectable conductor cross-sections		

- for main contacts
 - solid
 - stranded
 - finely stranded
 - with core end processing
- at AWG conductors for main contacts

	1x (2.5 ... 16 mm ²)
	1x (2.5 ... 25 mm ²)
	1x (4 ... 16 mm ²)
	1x (10 ... 4)

Certificates/ approvals:

Certificate of suitability CE / UL / CSA / CCC

General Product Approval	Declaration of Conformity	Test Certificates	Shipping Approval
--------------------------	---------------------------	-------------------	-------------------



[spezielle Prüfbescheinigung](#)
n



Shipping Approval	other
-------------------	-------



[Bestätigungen](#)

[Umweltbestätigung](#)



Further information

Information- and Downloadcenter (Catalogs, Brochures,...)

<http://www.siemens.com/industrial-controls/catalogs>

Industry Mall (Online ordering system)

<http://www.siemens.com/industrymall>

Cax online generator

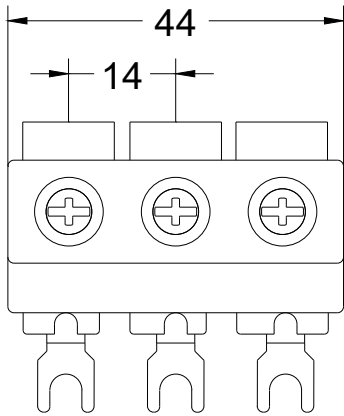
<http://support.automation.siemens.com/WW/CAXorder/default.aspx?lang=en&mlfb=3RV19255AB>

Service&Support (Manuals, Certificates, Characteristics, FAQs,...)

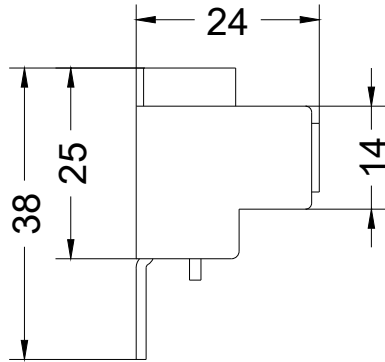
<https://support.industry.siemens.com/cs/ww/en/ps/3RV19255AB>

Image database (product images, 2D dimension drawings, 3D models, device circuit diagrams, EPLAN macros, ...)

http://www.automation.siemens.com/bilddb/cax_de.aspx?mlfb=3RV19255AB&lang=en



last modified:



09.03.2016