

22MM METAL ROUND COMPLETE UNIT COMBINATION:
 PUSHBUTTON MOMENTARY CONTACT TYPE WITH FLAT
 BUTTON SCREW TERMINAL, 1NO+1NC WITH HOLDER RED

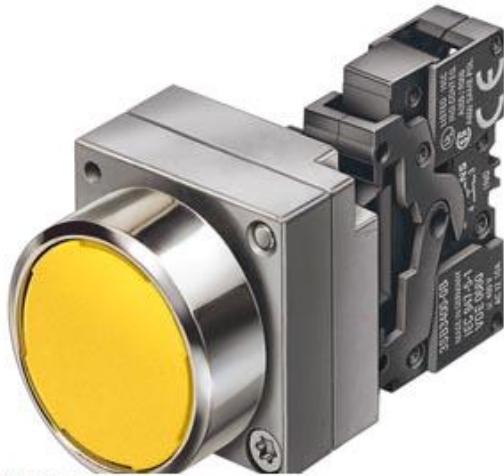


Figure similar

Design of the product	Complete unit round
Enclosure:	
Shape of the enclosure front	round
Material of the enclosure	metal
Number of control points	1
Actuator:	
Design of the operating mechanism	Pushbutton
Manner of function of the actuating element	Momentary contact type
Product expansion optional Light source	No
Color	
• of the actuating element	Red
Material of the actuating element	plastic
Shape of the actuating element	Flat pushbutton
Type of unlocking device	without
Number of switching positions	2
Front ring:	
Product component front ring	Yes
Design of the front ring	Standard
Material of the front ring	metal
Color of the front ring	silver
Holder:	
Material of the holder	Metal
Contact block/ lampholder:	
Number of lampholders	0

Number of switching elements	1
-------------------------------------	---

General technical data:

Product function	
<ul style="list-style-type: none"> • positive opening 	Yes
Product component	
<ul style="list-style-type: none"> • Light source 	No
Vibration resistance	
<ul style="list-style-type: none"> • acc. to IEC 60068-2-6 	20 ... 200 Hz: 5g
Operating frequency maximum	1 000 1/h
Mechanical service life (switching cycles)	
<ul style="list-style-type: none"> • typical 	10 000 000
Protection class IP	IP67
Equipment marking	
<ul style="list-style-type: none"> • acc. to DIN 40719 extended according to IEC 204-2 acc. to IEC 750 	S
<ul style="list-style-type: none"> • acc. to DIN EN 61346-2 	S
<ul style="list-style-type: none"> • acc. to DIN EN 81346-2 	S

Auxiliary circuit:

Number of NC contacts	
<ul style="list-style-type: none"> • for auxiliary contacts 	1
Number of NO contacts	
<ul style="list-style-type: none"> • for auxiliary contacts 	1
Number of CO contacts	
<ul style="list-style-type: none"> • for auxiliary contacts 	0
Operating current at AC-12	
<ul style="list-style-type: none"> • at 24 V Rated value 	10 A
<ul style="list-style-type: none"> • at 48 V Rated value 	10 A
<ul style="list-style-type: none"> • at 110 V Rated value 	10 A
<ul style="list-style-type: none"> • at 230 V Rated value 	10 A
<ul style="list-style-type: none"> • at 400 V Rated value 	10 A

Connections/ Terminals:

Type of electrical connection	screw-type terminals
--------------------------------------	----------------------

Ambient conditions:

Ambient temperature	
<ul style="list-style-type: none"> • during operation 	-25 ... +70 °C
<ul style="list-style-type: none"> • during storage 	-40 ... +80 °C
Environmental category during operation acc. to IEC 60721	3K6

Installation/ mounting/ dimensions:

Mounting type	front mounting
Shape of the installation opening	round

Mounting diameter 22 mm

Accessories:

Product component holder for 3 switching elements No

Certificates/ approvals:

General Product Approval	Declaration of Conformity	Test Certificates
--------------------------	---------------------------	-------------------



[Special Test Certificate](#)

Shipping Approval	other
-------------------	-------



[Confirmation](#)

other

[other](#)

[Environmental Confirmations](#)

Further information

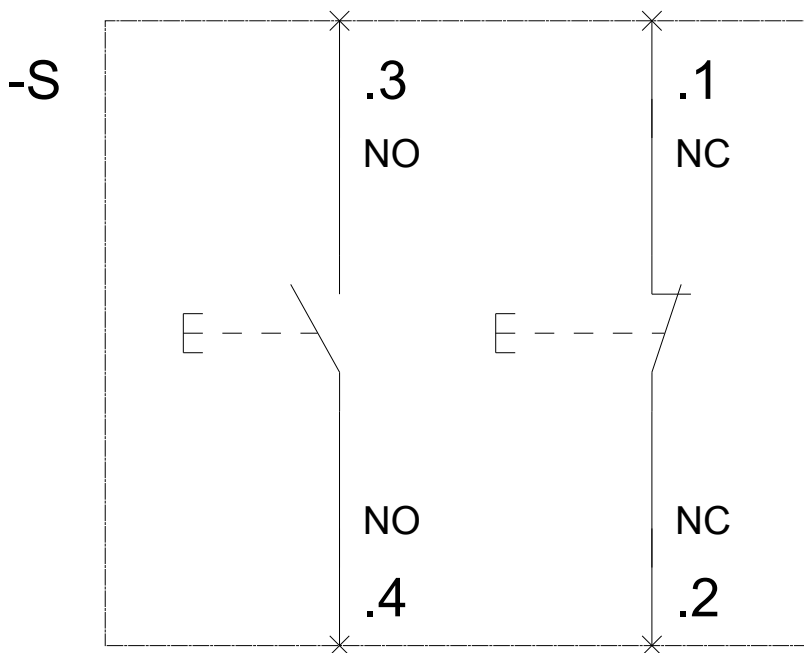
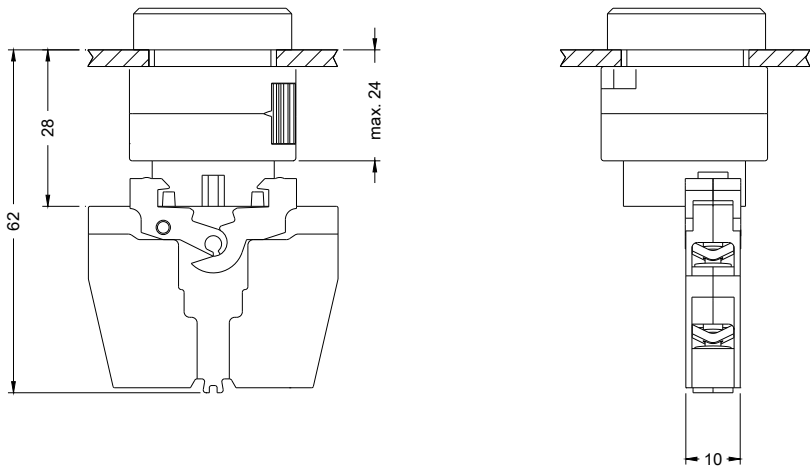
Information- and Downloadcenter (Catalogs, Brochures,...)
<http://www.siemens.com/industrial-controls/catalogs>

Industry Mall (Online ordering system)
<http://www.siemens.com/industrymall>

Cax online generator
<http://support.automation.siemens.com/WW/CAXorder/default.aspx?lang=en&mlfb=3SB36010AA21>

Service&Support (Manuals, Certificates, Characteristics, FAQs,...)
<https://support.industry.siemens.com/cs/ww/en/ps/3SB36010AA21>

Image database (product images, 2D dimension drawings, 3D models, device circuit diagrams, EPLAN macros, ...)
http://www.automation.siemens.com/bilddb/cax_de.aspx?mlfb=3SB36010AA21&lang=en



last modified:

29.05.2015