




PROTECTIVE COLLAR FOR EMERGENGENCY STOP  
MUSHROOM PUSHBUTTON 3SB3...-1AA20, FOR 5  
PADLOCKS, YELLOW

General technical data:

Product type designation	Protective collar
Design of the product	Protective collar

Certificates/ approvals:

General Product Approval	Declaration of Conformity	Test Certificates	other
 UL		 EG-Konf.	<a href="#">spezielle Prüfbescheinigung</a> n <a href="#">Bestätigungen</a> <a href="#">Umweltbestätigung</a>

Further information

Information- and Downloadcenter (Catalogs, Brochures,...)

<http://www.siemens.com/industrial-controls/catalogs>

Industry Mall (Online ordering system)

<https://mall.industry.siemens.com/mall/en/en/Catalog/product?mlfb=3SB39210CG>

Cax online generator

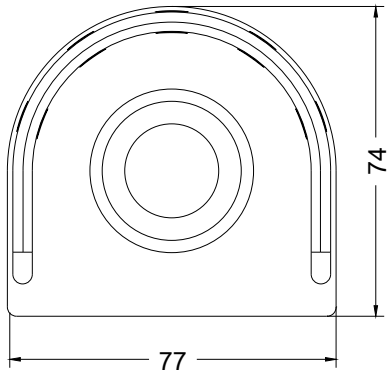
<http://support.automation.siemens.com/WW/CAXorder/default.aspx?lang=en&mlfb=3SB39210CG>

Service&Support (Manuals, Certificates, Characteristics, FAQs,...)

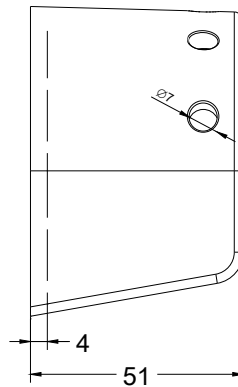
<https://support.industry.siemens.com/cs/ww/en/ps/3SB39210CG>

Image database (product images, 2D dimension drawings, 3D models, device circuit diagrams, EPLAN macros, ...)

[http://www.automation.siemens.com/bilddb/cax\\_de.aspx?mlfb=3SB39210CG&lang=en](http://www.automation.siemens.com/bilddb/cax_de.aspx?mlfb=3SB39210CG&lang=en)



last modified:



31.03.2016