



CURRENT MEASURING MODULE; SET CURRENT 2,4...25A;  
OVERALL WIDTH 45MM; STRAIGHT-THROUGH CT

Figure similar

<b>product brand name</b>	SIRIUS
<b>Product designation</b>	current measuring module
<b>General technical data:</b>	
<b>Insulation voltage</b>	
• Rated value	690 V
<b>Vibration resistance</b>	1-6 Hz / 15 mm; 6-500 Hz / 2 g
<b>Surge voltage resistance Rated value</b>	6 000 V
<b>Protection class IP</b>	IP20
<b>Equipment marking</b>	
• acc. to DIN EN 61346-2	F
• acc. to DIN EN 81346-2	F
<b>Electromagnetic compatibility:</b>	
<b>EMC emitted interference</b>	
• acc. to IEC 60947-1	class A
<b>EMI immunity acc. to IEC 60947-1</b>	corresponds to degree of severity 3
<b>Conducted interference due to burst acc. to IEC 61000-4-4</b>	2 kV
<b>Conducted interference due to conductor-earth surge acc. to IEC 61000-4-5</b>	2 kV
<b>Conducted interference due to conductor-conductor surge acc. to IEC 61000-4-5</b>	1 kV
<b>Field-bound parasitic coupling acc. to IEC 61000-4-3</b>	10 V/m
<b>Inputs/ Outputs:</b>	
<b>Number of outputs as contact-affected switching element</b>	0

Communication/ Protocol:	
Product function Bus communication	No
Installation/ mounting/ dimensions:	
mounting position	any
Mounting type	screw and snap-on mounting
Height	84 mm
Width	45 mm
Depth	45 mm
Connections/ Terminals:	
Type of electrical connection	straight-through transformers
<ul style="list-style-type: none"> <li>for main current circuit</li> </ul>	
Product function	No
<ul style="list-style-type: none"> <li>removable terminal for auxiliary and control circuit</li> </ul>	
Ambient conditions:	
Installation altitude at height above sea level maximum	4 000 m
Ambient temperature	
<ul style="list-style-type: none"> <li>during operation</li> </ul>	-25 ... +60 °C
<ul style="list-style-type: none"> <li>during storage</li> </ul>	-40 ... +80 °C
<ul style="list-style-type: none"> <li>during transport</li> </ul>	-40 ... +80 °C
Relative humidity during operation	5 ... 95 %
Safety related data:	
Protection against electrical shock	finger-safe
Main circuit:	
Number of poles for main current circuit	3
Adjustable response value current of the current-dependent overload release	2.4 ... 25 A
Operating voltage	
<ul style="list-style-type: none"> <li>with AC</li> </ul>	
<ul style="list-style-type: none"> <li>— at 50 Hz Rated value</li> </ul>	110 ... 690 V
<ul style="list-style-type: none"> <li>— at 60 Hz Rated value</li> </ul>	110 ... 690 V
Operating frequency Rated value	50 ... 60 Hz
Control circuit/ Control:	
Type of voltage of the control supply voltage	AC
Certificates/ approvals:	

General Product Approval	EMC	For use in hazardous locations
--------------------------	-----	--------------------------------



For use in hazardous locations	Test Certificates	Shipping Approval	other
--------------------------------	-------------------	-------------------	-------

[Explosion Protection Certificate](#)

[Special Test Certificate](#)

[Type Test Certificates/Test Report](#)



[Confirmation](#)

other
-------

[Declaration of Conformity](#)



Profibus

[PROFINET-Certification](#)

[PROFISafe-Certification](#)

#### Further information

**Information- and Downloadcenter (Catalogs, Brochures,...)**

<http://www.siemens.com/industrial-controls/catalogs>

**Industry Mall (Online ordering system)**

<http://www.siemens.com/industrymall>

**Cax online generator**

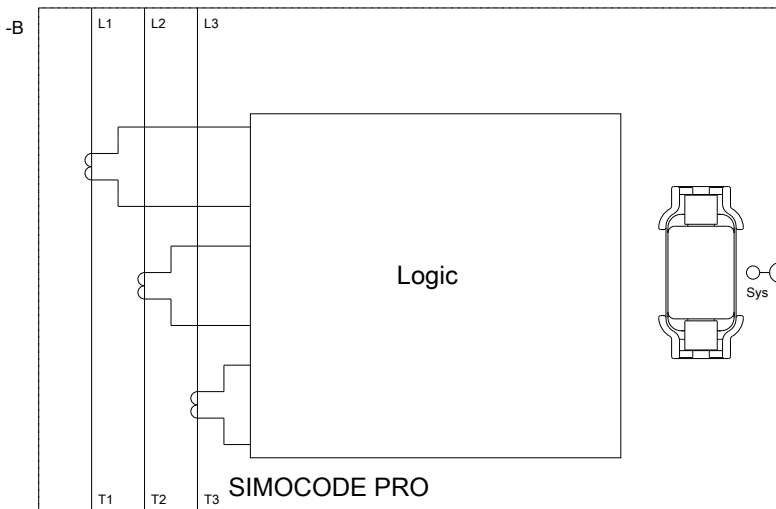
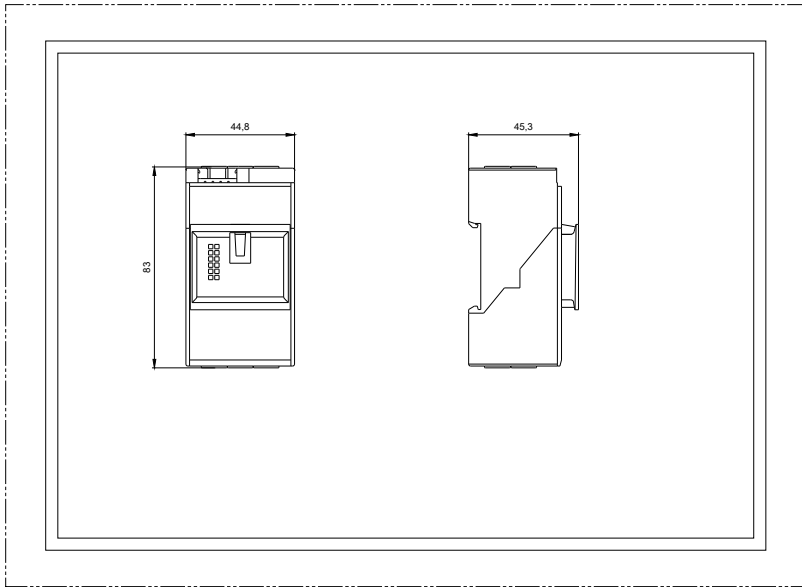
<http://support.automation.siemens.com/WW/CAXorder/default.aspx?lang=en&mfb=3UF71011AA000>

**Service&Support (Manuals, Certificates, Characteristics, FAQs,...)**

<https://support.industry.siemens.com/cs/ww/en/ps/3UF71011AA000>

**Image database (product images, 2D dimension drawings, 3D models, device circuit diagrams, EPLAN macros, ...)**

[http://www.automation.siemens.com/bilddb/cax\\_de.aspx?mfb=3UF71011AA000&lang=en](http://www.automation.siemens.com/bilddb/cax_de.aspx?mfb=3UF71011AA000&lang=en)



last modified:

24.04.2015