



CURRENT MEASURING MODULE; SET CURRENT 10...100A;
OVERALL WIDTH 55MM; STRAIGHT-THROUGH CT

Figure similar

product brand name	SIRIUS
Product designation	current measuring module
General technical data:	
Insulation voltage	
• Rated value	690 V
Vibration resistance	1-6 Hz / 15 mm; 6-500 Hz / 2 g
Surge voltage resistance Rated value	6 000 V
Protection class IP	IP20
Equipment marking	
• acc. to DIN EN 61346-2	F
• acc. to DIN EN 81346-2	F
Electromagnetic compatibility:	
EMC emitted interference	
• acc. to IEC 60947-1	class A
EMI immunity acc. to IEC 60947-1	corresponds to degree of severity 3
Conducted interference due to burst acc. to IEC 61000-4-4	2 kV
Conducted interference due to conductor-earth surge acc. to IEC 61000-4-5	2 kV
Conducted interference due to conductor-conductor surge acc. to IEC 61000-4-5	1 kV
Field-bound parasitic coupling acc. to IEC 61000-4-3	10 V/m
Inputs/ Outputs:	
Number of outputs as contact-affected switching element	0

Communication/ Protocol:	
Product function Bus communication	No
Installation/ mounting/ dimensions:	
mounting position	any
Mounting type	screw and snap-on mounting
Height	94 mm
Width	55 mm
Depth	72 mm
Connections/ Terminals:	
Type of electrical connection	straight-through transformers
<ul style="list-style-type: none"> for main current circuit 	
Product function	No
<ul style="list-style-type: none"> removable terminal for auxiliary and control circuit 	
Ambient conditions:	
Installation altitude at height above sea level maximum	4 000 m
Ambient temperature	
<ul style="list-style-type: none"> during operation 	-25 ... +60 °C
<ul style="list-style-type: none"> during storage 	-40 ... +80 °C
<ul style="list-style-type: none"> during transport 	-40 ... +80 °C
Relative humidity during operation	5 ... 95 %
Safety related data:	
Protection against electrical shock	finger-safe
Main circuit:	
Number of poles for main current circuit	3
Adjustable response value current of the current-dependent overload release	10 ... 100 A
Operating voltage	
<ul style="list-style-type: none"> with AC 	
<ul style="list-style-type: none"> — at 50 Hz Rated value 	110 ... 690 V
<ul style="list-style-type: none"> — at 60 Hz Rated value 	110 ... 690 V
Operating frequency Rated value	50 ... 60 Hz
Control circuit/ Control:	
Type of voltage of the control supply voltage	AC
Certificates/ approvals:	

General Product Approval	EMC	For use in hazardous locations
--------------------------	-----	--------------------------------



For use in hazardous locations	Test Certificates	Shipping Approval	other
--------------------------------	-------------------	-------------------	-------

[Explosion Protection Certificate](#)

[Type Test Certificates/Test Report](#)

[Special Test Certificate](#)



[Declaration of Conformity](#)

other

[Confirmation](#)

[PROFISafe-Certification](#)



[PROFINET-Certification](#)

Profibus

Further information

Information- and Downloadcenter (Catalogs, Brochures,...)

<http://www.siemens.com/industrial-controls/catalogs>

Industry Mall (Online ordering system)

<http://www.siemens.com/industrymall>

Cax online generator

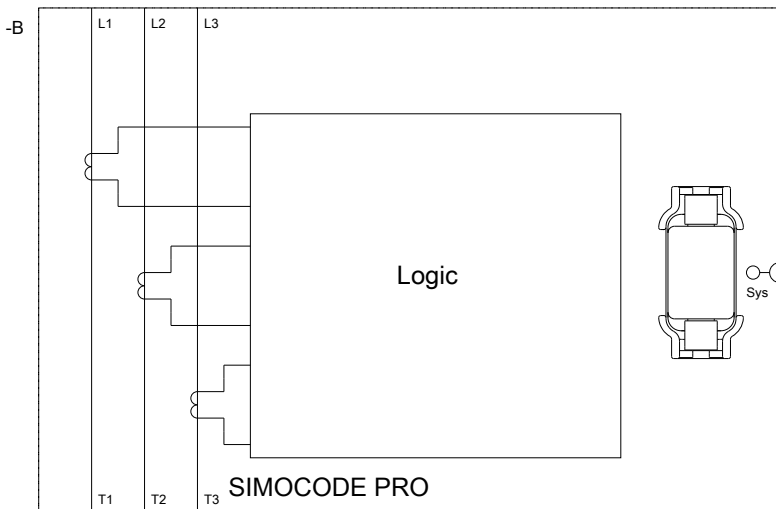
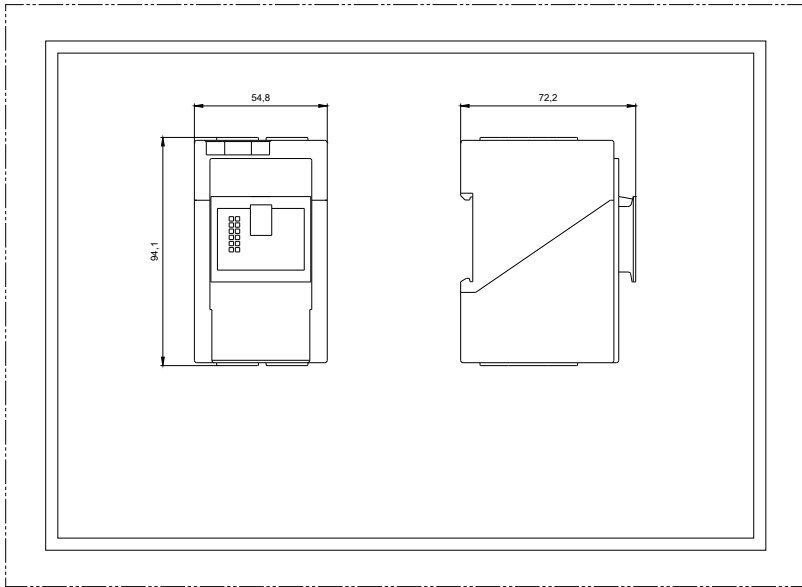
<http://support.automation.siemens.com/WW/CAXorder/default.aspx?lang=en&mfb=3UF71021AA000>

Service&Support (Manuals, Certificates, Characteristics, FAQs,...)

<https://support.industry.siemens.com/cs/ww/en/ps/3UF71021AA000>

Image database (product images, 2D dimension drawings, 3D models, device circuit diagrams, EPLAN macros, ...)

http://www.automation.siemens.com/bilddb/cax_de.aspx?mfb=3UF71021AA000&lang=en



last modified:

23.04.2015